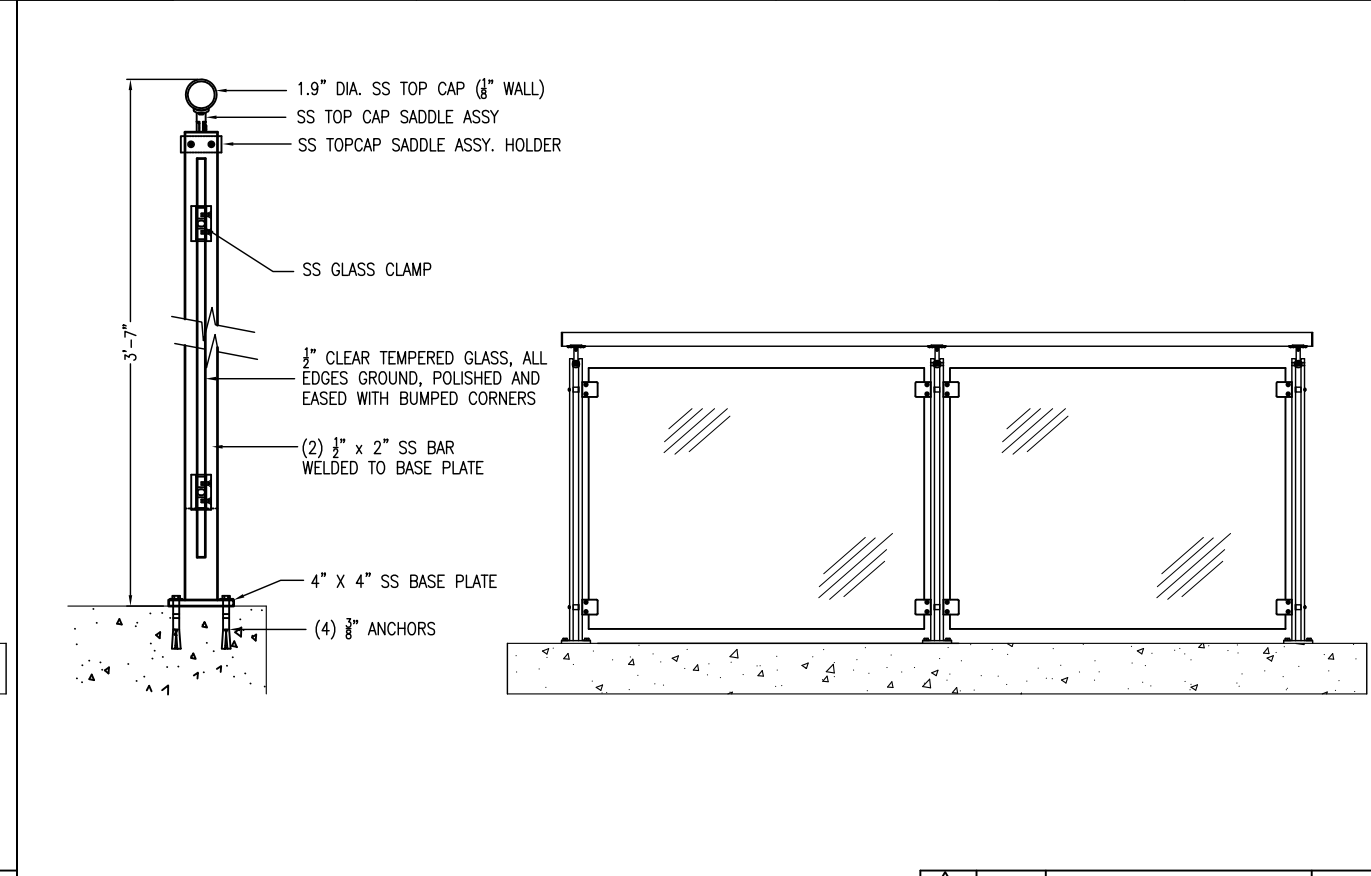
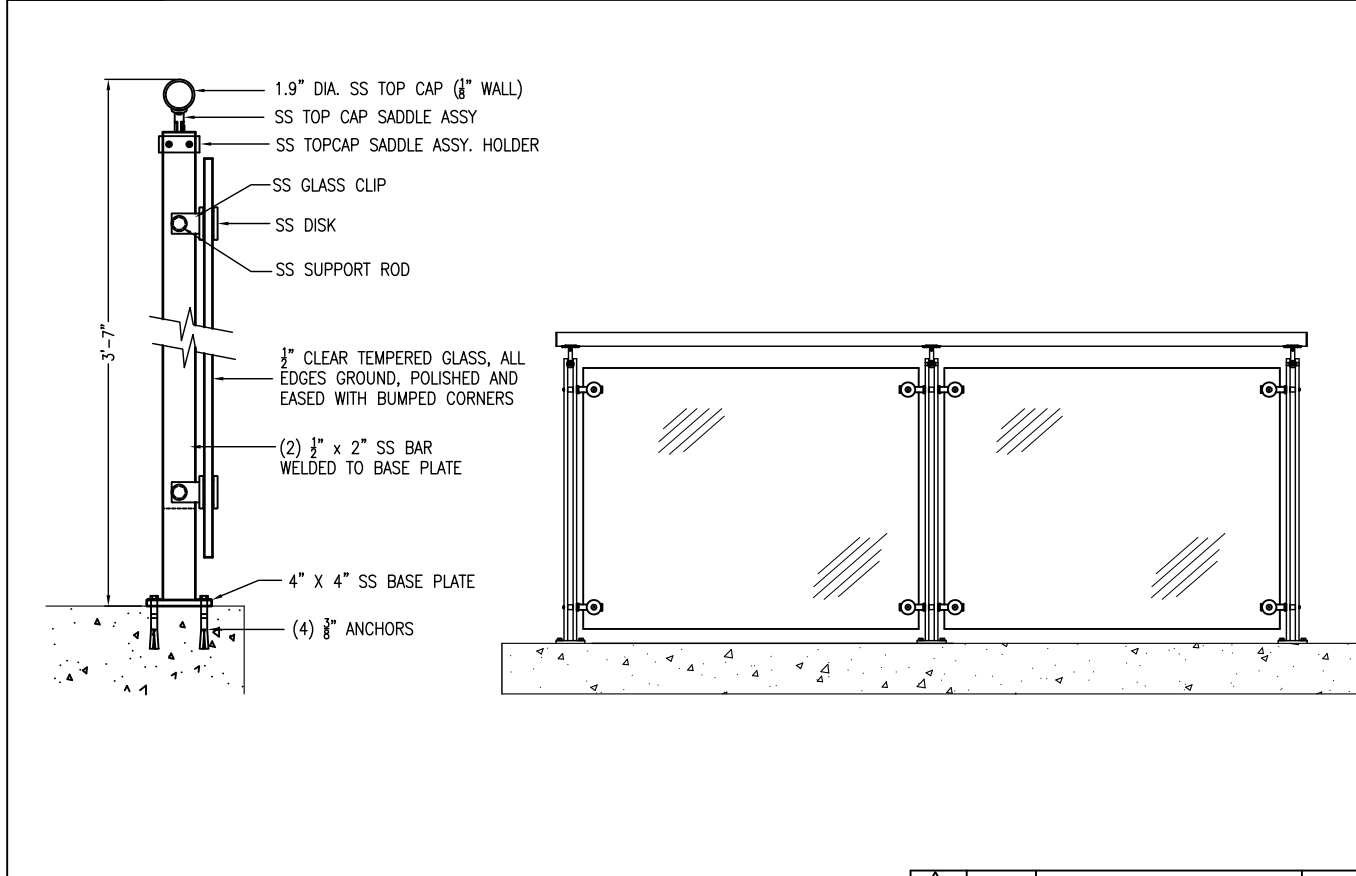


ITEM	DATE	DESCRIPTION OF CHANGE	AUTH.

<p>CORPORATE OFFICE 7008 Northland Dr. Suite 150 Minneapolis, Minnesota 55428 PH: (763) 533-2094</p>	<p>TITLE LUXOR STAIR SUPPORT RODS (WELDED)</p>	<p>THIS DRAWING IS THE PROPERTY OF SC RAILING COMPANY AND IS FURNISHED ON A CONFIDENTIAL BASIS. NEITHER THE DRAWING NOR ITEMS THEREON ARE TO BE REPRODUCED OR USED IN ANY MANNER NOT AUTHORIZED BY SC RAILING COMPANY AND IS LOANED SUBJECT TO RETURN ON DEMAND</p>	<p>DR. BY JRS SCALE DATE 06-09-16</p>	<p>PROJECT DIVISION 5</p>
			<p>UNSPECIFIED TOLERANCES ARE TO BE LINEAR ±1/32" ANGULAR ±0.5°</p>	<p>PRODUCT LUXOR</p>
<p>MATERIAL AS SHOWN</p>				<p>NUMBER LUXOR - 1</p>

ITEM	DATE	DESCRIPTION OF CHANGE	AUTH.

<p>CORPORATE OFFICE 7008 Northland Dr. Suite 150 Minneapolis, Minnesota 55428 PH: (763) 533-2094</p>	<p>TITLE LUXOR STAIR GLASS CLAMPS (WELDED)</p>	<p>THIS DRAWING IS THE PROPERTY OF SC RAILING COMPANY AND IS FURNISHED ON A CONFIDENTIAL BASIS. NEITHER THE DRAWING NOR ITEMS THEREON ARE TO BE REPRODUCED OR USED IN ANY MANNER NOT AUTHORIZED BY SC RAILING COMPANY AND IS LOANED SUBJECT TO RETURN ON DEMAND</p>	<p>DR. BY JRS SCALE DATE 06-09-16</p>	<p>PROJECT DIVISION 5</p>
			<p>UNSPECIFIED TOLERANCES ARE TO BE LINEAR ±1/32" ANGULAR ±0.5°</p>	<p>PRODUCT LUXOR</p>
<p>MATERIAL AS SHOWN</p>				<p>NUMBER LUXOR - 3</p>



ITEM	DATE	DESCRIPTION OF CHANGE	AUTH.

<p>CORPORATE OFFICE 7008 Northland Dr. Suite 150 Minneapolis, Minnesota 55428 PH: (763) 533-2094</p>	<p>TITLE LUXOR LEVEL SUPPORT RODS (WELDED)</p>	<p>THIS DRAWING IS THE PROPERTY OF SC RAILING COMPANY AND IS FURNISHED ON A CONFIDENTIAL BASIS. NEITHER THE DRAWING NOR ITEMS THEREON ARE TO BE REPRODUCED OR USED IN ANY MANNER NOT AUTHORIZED BY SC RAILING COMPANY AND IS LOANED SUBJECT TO RETURN ON DEMAND</p>	<p>DR. BY JRS SCALE DATE 06-09-16</p>	<p>PROJECT DIVISION 5</p>
			<p>UNSPECIFIED TOLERANCES ARE TO BE LINEAR ±1/32" ANGULAR ±0.5°</p>	<p>PRODUCT LUXOR</p>
<p>MATERIAL AS SHOWN</p>				<p>NUMBER LUXOR - 2</p>

ITEM	DATE	DESCRIPTION OF CHANGE	AUTH.

<p>CORPORATE OFFICE 7008 Northland Dr. Suite 150 Minneapolis, Minnesota 55428 PH: (763) 533-2094</p>	<p>TITLE LUXOR LEVEL GLASS CLAMPS (WELDED)</p>	<p>THIS DRAWING IS THE PROPERTY OF SC RAILING COMPANY AND IS FURNISHED ON A CONFIDENTIAL BASIS. NEITHER THE DRAWING NOR ITEMS THEREON ARE TO BE REPRODUCED OR USED IN ANY MANNER NOT AUTHORIZED BY SC RAILING COMPANY AND IS LOANED SUBJECT TO RETURN ON DEMAND</p>	<p>DR. BY JRS SCALE DATE 06-09-16</p>	<p>PROJECT DIVISION 5</p>
			<p>UNSPECIFIED TOLERANCES ARE TO BE LINEAR ±1/32" ANGULAR ±0.5°</p>	<p>PRODUCT LUXOR</p>
<p>MATERIAL AS SHOWN</p>				<p>NUMBER LUXOR - 4</p>