

| ITEM | DATE | DESCRIPTION OF CHANGE | AUTH. |
|------|------|-----------------------|-------|
|------|------|-----------------------|-------|



CORPORATE OFFICE
 7008 Northland Dr. Suite 150
 Minneapolis, Minnesota 55428
 PH: (763) 533-2094

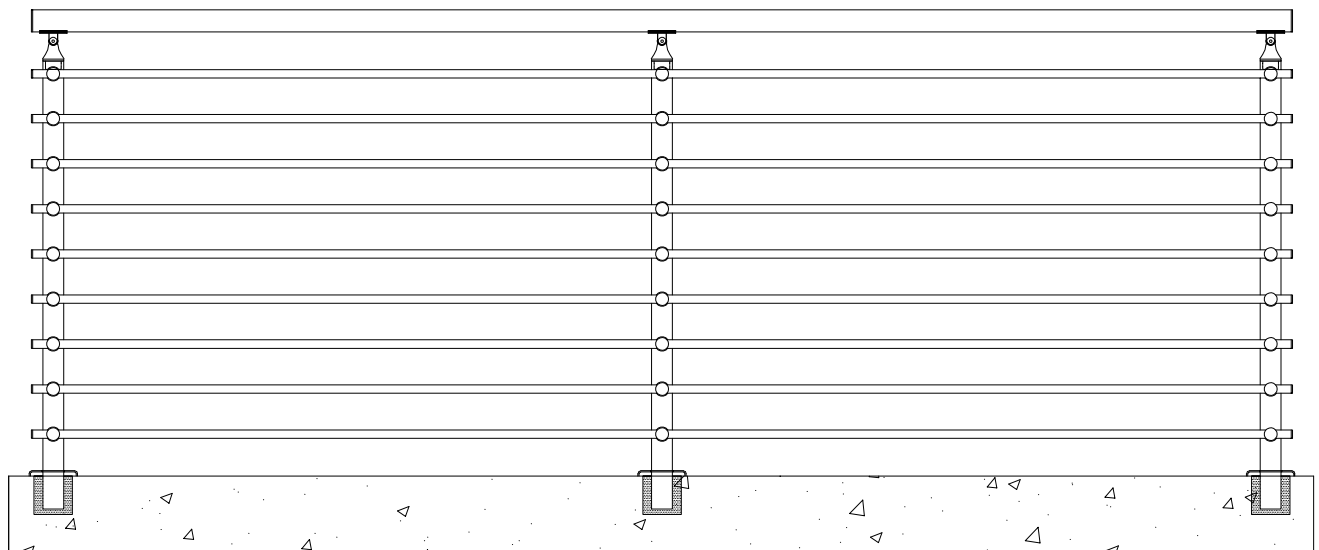
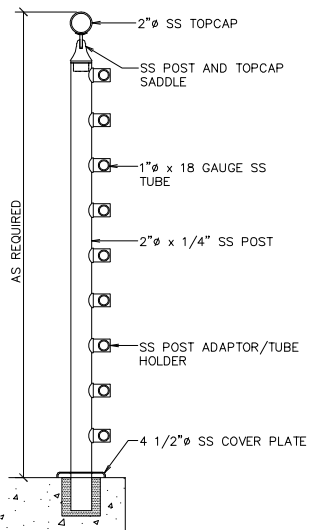
MATERIAL
 AS SHOWN

TITLE
 GLENLAKE STAIR
 (WELDED)

THIS DRAWING IS THE PROPERTY OF
 TREX COMMERCIAL PRODUCTS, INC.
 NEITHER THE DRAWING NOR ITEMS
 THEREON ARE TO BE REPRODUCED
 OR USED IN ANY MANNER NOT
 AUTHORIZED BY TREX COMMERCIAL
 PRODUCTS, INC. IN WRITING.
 © 2016 TREX COMMERCIAL
 PRODUCTS, INC. ALL RIGHTS RESERVED.

DR. BY JRS DATE 06-09-16
 SCALE
 UNSPECIFIED TOLERANCES
 ARE TO BE
 LINEAR ANGULAR
 $\pm 1/32''$ $\pm 0.5^\circ$

PROJECT
 DIVISION 5
 PRODUCT
 GLENLAKE
 NUMBER
 GLENLAKE - 1



| ITEM | DATE | DESCRIPTION OF CHANGE | AUTH. |
|------|------|-----------------------|-------|
|------|------|-----------------------|-------|



CORPORATE OFFICE
 7008 Northland Dr. Suite 150
 Minneapolis, Minnesota 55428
 PH: (763) 533-2094

MATERIAL
 AS SHOWN

TITLE
 GLENLAKE LEVEL
 (WELDED)

THIS DRAWING IS THE PROPERTY OF
 TREX COMMERCIAL PRODUCTS, INC.
 NEITHER THE DRAWING NOR ITEMS
 THEREON ARE TO BE REPRODUCED
 OR USED IN ANY MANNER NOT
 AUTHORIZED BY TREX COMMERCIAL
 PRODUCTS, INC. IN WRITING.
 © 2016 TREX COMMERCIAL
 PRODUCTS, INC. ALL RIGHTS RESERVED.

DR. BY JRS DATE 06-09-16
 SCALE
 UNSPECIFIED TOLERANCES
 ARE TO BE
 LINEAR ANGULAR
 $\pm 1/32''$ $\pm 0.5^\circ$

PROJECT
 DIVISION 5
 PRODUCT
 GLENLAKE
 NUMBER
 GLENLAKE - 2