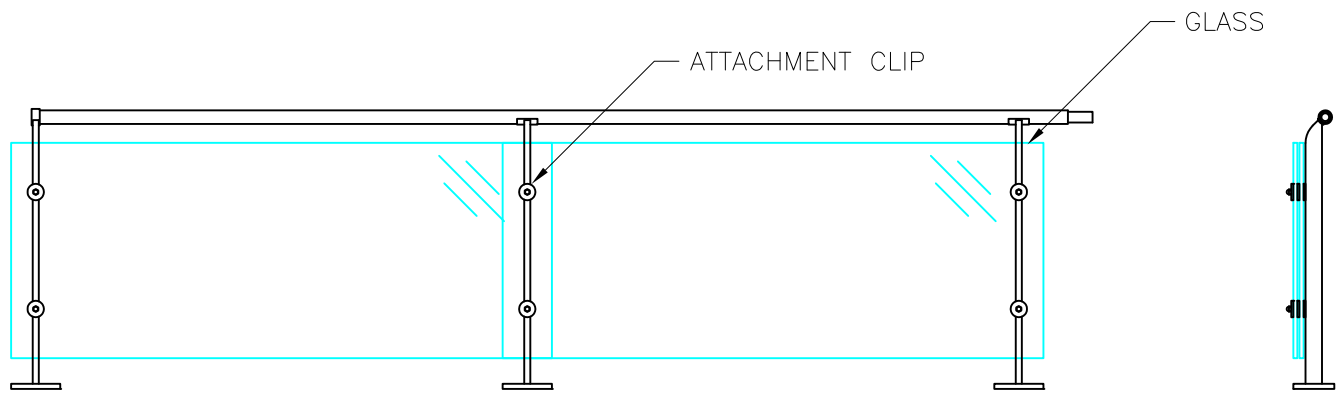


NOTES:  
1) A LARGE SELECTION OF FRAME MATERIALS ARE AVAILABLE.

	<b>CORPORATE OFFICE</b> 7008 Northland Dr. Suite 150 Minneapolis, Minnesota 55428 PH: (763) 533-2094	<b>TITLE</b> SCI - POST SUPPORTED GLASS RAILING LINE	THIS DRAWING IS THE PROPERTY OF TREX COMMERCIAL PRODUCTS, INC. NEITHER THE DRAWING NOR ITEMS THEREON ARE TO BE REPRODUCED OR USED IN ANY MANNER NOT AUTHORIZED BY TREX COMMERCIAL PRODUCTS, INC. IN WRITING. © 2016 TREX COMMERCIAL PRODUCTS, INC. ALL RIGHTS RESERVED.	DR. BY CEB SCALE 1/2" = 1' UNSPECIFIED TOLERANCES ARE TO BE LINEAR ±1/32" ANGULAR ±0.5°	DATE 10-15-08 PROJECT DIVISION 5 PRODUCT GLASS RAILING NUMBER POST SUPPORTED-	△ ITEM DATE DESCRIPTION OF CHANGE AUTH.
	MATERIAL AS SHOWN					



NOTES:  
1) A LARGE SELECTION OF FRAME MATERIALS ARE AVAILABLE.

	<b>CORPORATE OFFICE</b> 7008 Northland Dr. Suite 150 Minneapolis, Minnesota 55428 PH: (763) 533-2094	<b>TITLE</b> SCI - POST SUPPORTED GLASS RAILING LINE	THIS DRAWING IS THE PROPERTY OF TREX COMMERCIAL PRODUCTS, INC. NEITHER THE DRAWING NOR ITEMS THEREON ARE TO BE REPRODUCED OR USED IN ANY MANNER NOT AUTHORIZED BY TREX COMMERCIAL PRODUCTS, INC. IN WRITING. © 2016 TREX COMMERCIAL PRODUCTS, INC. ALL RIGHTS RESERVED.	DR. BY CEB SCALE 1/2" = 1' UNSPECIFIED TOLERANCES ARE TO BE LINEAR ±1/32" ANGULAR ±0.5°	DATE 10-15-08 PROJECT DIVISION 5 PRODUCT GLASS RAILING NUMBER POST SUPPORTED-	△ ITEM DATE DESCRIPTION OF CHANGE AUTH.
	MATERIAL AS SHOWN					