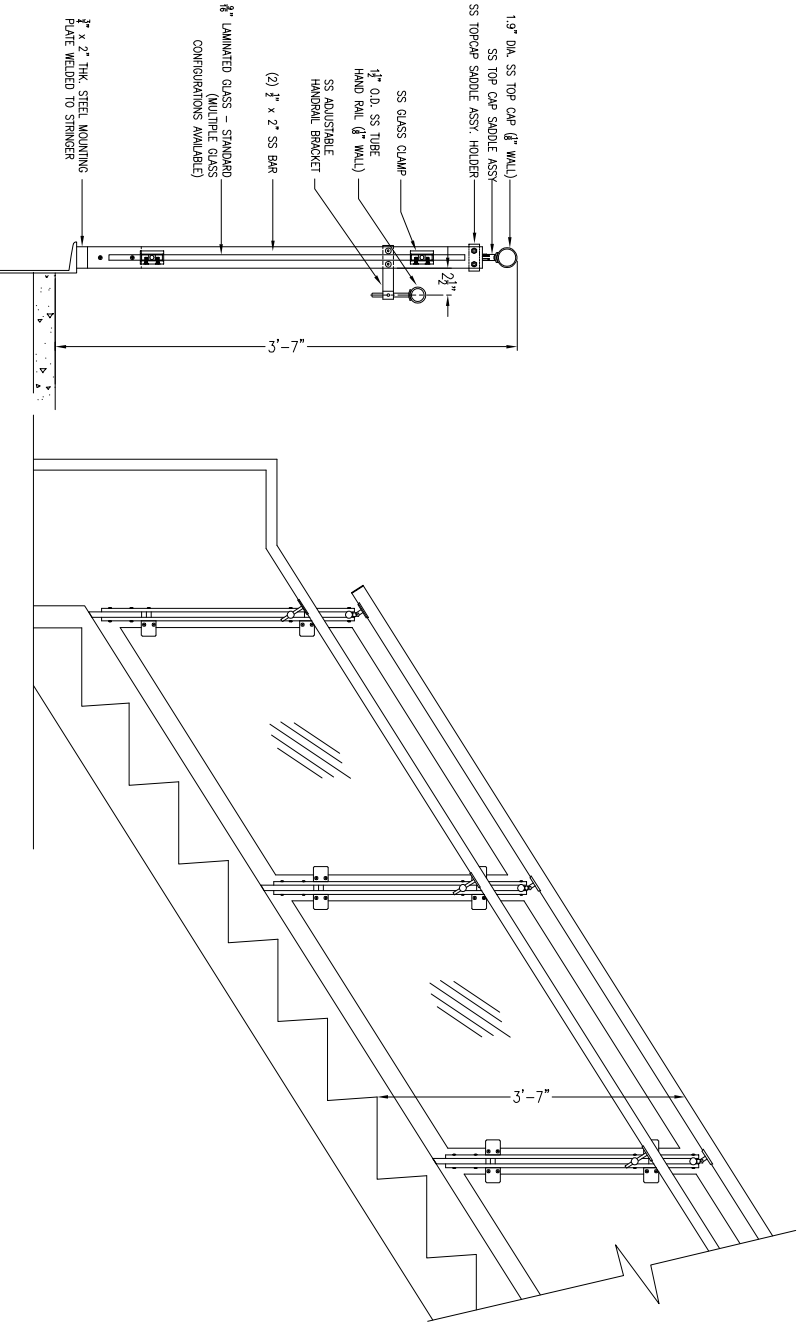


Tex
 CORPORATE OFFICE
 7008 Northland Dr., Suite 150
 Philadelphia, PA 19153
 Ph: (763) 533-2094
 MATERIAL AS SHOWN

TITLE
**LUXOR STAIR
 SUPPORT RODS
 (WELDED)**

THIS DRAWING IS THE PROPERTY OF
 TREX COMMERCIAL PRODUCTS, INC.
 AND IS NOT TO BE REPRODUCED
 OR USED IN ANY MANNER NOT
 AUTHORIZED BY TREX COMMERCIAL
 PRODUCTS, INC. IN WRITING.
 © 2018 TREX COMMERCIAL
 PRODUCTS, INC. ALL RIGHTS RESERVED.

ITEM	DATE	DESCRIPTION OF CHANGE	AUTH.

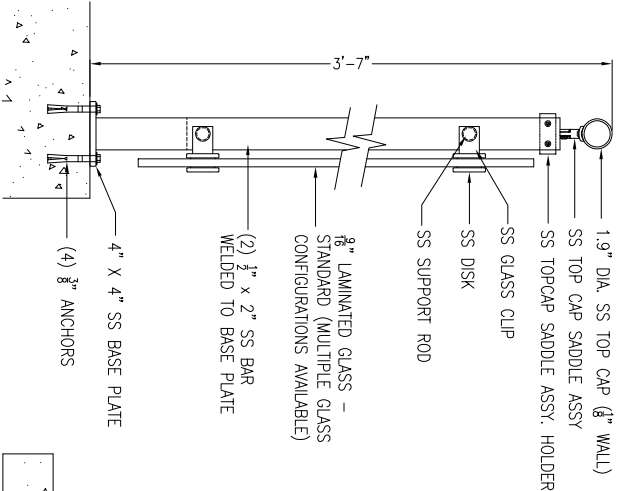


Tex
 CORPORATE OFFICE
 7008 Northland Dr., Suite 150
 Philadelphia, PA 19153
 Ph: (763) 533-2094
 MATERIAL AS SHOWN

TITLE
**LUXOR STAIR
 GLASS CLAMPS
 (WELDED)**

THIS DRAWING IS THE PROPERTY OF
 TREX COMMERCIAL PRODUCTS, INC.
 AND IS NOT TO BE REPRODUCED
 OR USED IN ANY MANNER NOT
 AUTHORIZED BY TREX COMMERCIAL
 PRODUCTS, INC. IN WRITING.
 © 2018 TREX COMMERCIAL
 PRODUCTS, INC. ALL RIGHTS RESERVED.

ITEM	DATE	DESCRIPTION OF CHANGE	AUTH.

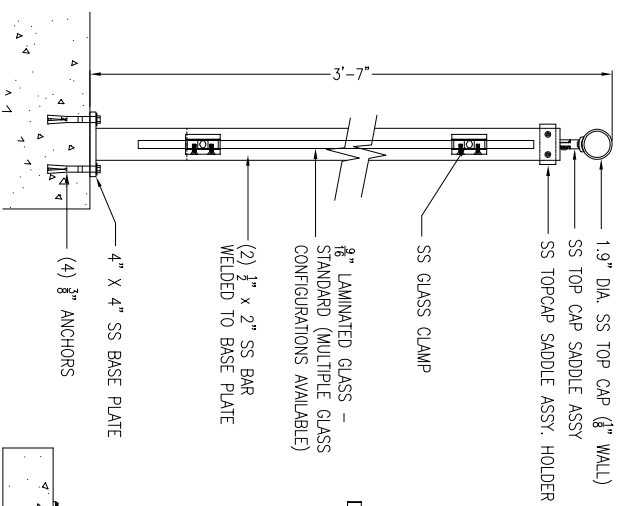
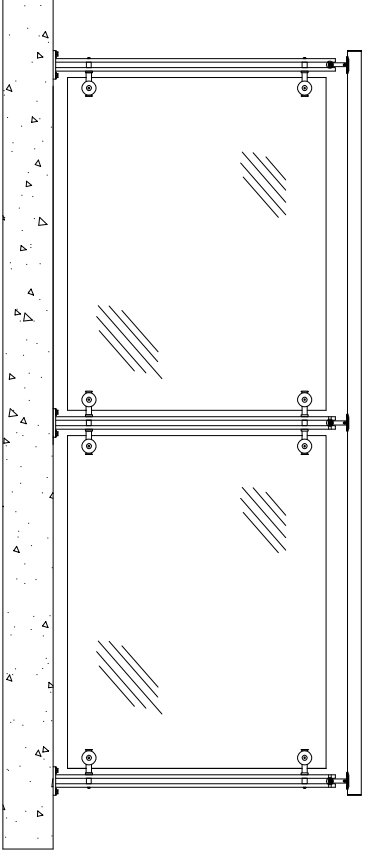


Tex
 CORPORATE OFFICE
 7008 Northland Dr., Suite 150
 Philadelphia, PA 19153
 Ph: (763) 533-2094
 MATERIAL AS SHOWN

TITLE
**LUXOR LEVEL
 SUPPORT RODS
 (WELDED)**

THIS DRAWING IS THE PROPERTY OF
 TREX COMMERCIAL PRODUCTS, INC.
 AND IS NOT TO BE REPRODUCED
 OR USED IN ANY MANNER NOT
 AUTHORIZED BY TREX COMMERCIAL
 PRODUCTS, INC. IN WRITING.
 © 2018 TREX COMMERCIAL
 PRODUCTS, INC. ALL RIGHTS RESERVED.

ITEM	DATE	DESCRIPTION OF CHANGE	AUTH.



Tex
 CORPORATE OFFICE
 7008 Northland Dr., Suite 150
 Philadelphia, PA 19153
 Ph: (763) 533-2094
 MATERIAL AS SHOWN

TITLE
**LUXOR LEVEL
 GLASS CLAMPS
 (WELDED)**

THIS DRAWING IS THE PROPERTY OF
 TREX COMMERCIAL PRODUCTS, INC.
 AND IS NOT TO BE REPRODUCED
 OR USED IN ANY MANNER NOT
 AUTHORIZED BY TREX COMMERCIAL
 PRODUCTS, INC. IN WRITING.
 © 2018 TREX COMMERCIAL
 PRODUCTS, INC. ALL RIGHTS RESERVED.

ITEM	DATE	DESCRIPTION OF CHANGE	AUTH.

