

ITEM	DATE	DESCRIPTION OF CHANGE	AUTH.
------	------	-----------------------	-------



**CORPORATE OFFICE**  
 7008 Northland Dr. Suite 150  
 Minneapolis, Minnesota 55428  
 PH: (763) 533-2094

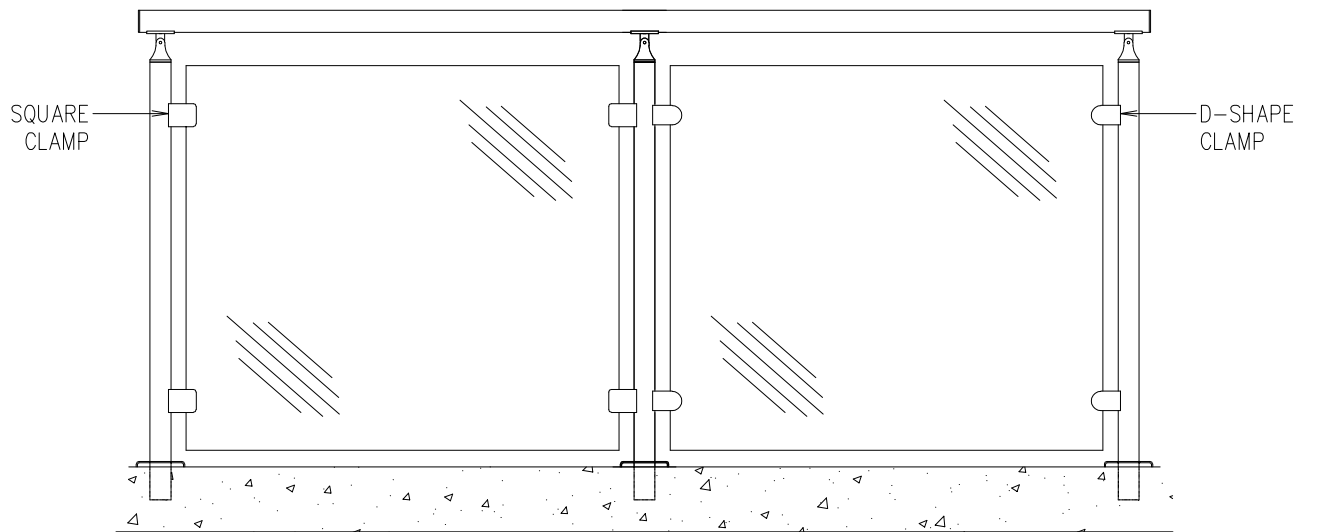
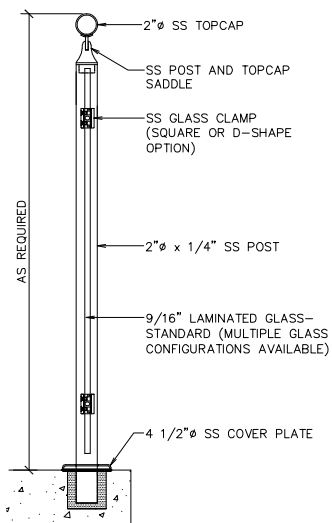
MATERIAL  
 AS SHOWN

**TITLE**  
 MONACO SERIES  
 STAIR  
 (WELDED)

THIS DRAWING IS THE PROPERTY OF  
 TREX COMMERCIAL PRODUCTS, INC.  
 NEITHER THE DRAWING NOR ITEMS  
 THEREON ARE TO BE REPRODUCED  
 OR USED IN ANY MANNER NOT  
 AUTHORIZED BY TREX COMMERCIAL  
 PRODUCTS, INC. IN WRITING.  
 © 2016 TREX COMMERCIAL  
 PRODUCTS, INC. ALL RIGHTS RESERVED.

DR. BY JRS DATE 06-09-16  
 SCALE  
 UNSPECIFIED TOLERANCES  
 ARE TO BE  
 LINEAR ANGULAR  
 $\pm 1/32''$   $\pm 0.5^\circ$

PROJECT  
 DIVISION 5  
 PRODUCT  
 MONACO  
 NUMBER  
 MONACO - 1



ITEM	DATE	DESCRIPTION OF CHANGE	AUTH.
------	------	-----------------------	-------



**CORPORATE OFFICE**  
 7008 Northland Dr. Suite 150  
 Minneapolis, Minnesota 55428  
 PH: (763) 533-2094

MATERIAL  
 AS SHOWN

**TITLE**  
 MONACO SERIES  
 LEVEL  
 (WELDED)

THIS DRAWING IS THE PROPERTY OF  
 TREX COMMERCIAL PRODUCTS, INC.  
 NEITHER THE DRAWING NOR ITEMS  
 THEREON ARE TO BE REPRODUCED  
 OR USED IN ANY MANNER NOT  
 AUTHORIZED BY TREX COMMERCIAL  
 PRODUCTS, INC. IN WRITING.  
 © 2016 TREX COMMERCIAL  
 PRODUCTS, INC. ALL RIGHTS RESERVED.

DR. BY JRS DATE 06-09-16  
 SCALE  
 UNSPECIFIED TOLERANCES  
 ARE TO BE  
 LINEAR ANGULAR  
 $\pm 1/32''$   $\pm 0.5^\circ$

PROJECT  
 DIVISION 5  
 PRODUCT  
 MONACO  
 NUMBER  
 MONACO - 2