

ITEM	DATE	DESCRIPTION OF CHANGE	AUTH.
△			



CORPORATE OFFICE
 7008 Northland Dr. Suite 150
 Minneapolis, Minnesota 55428
 PH: (763) 533-2094

MATERIAL
 AS SHOWN

TITLE
**SOUTHPARK
 HANDRAIL CONFIGURATION
 (WELDED)**

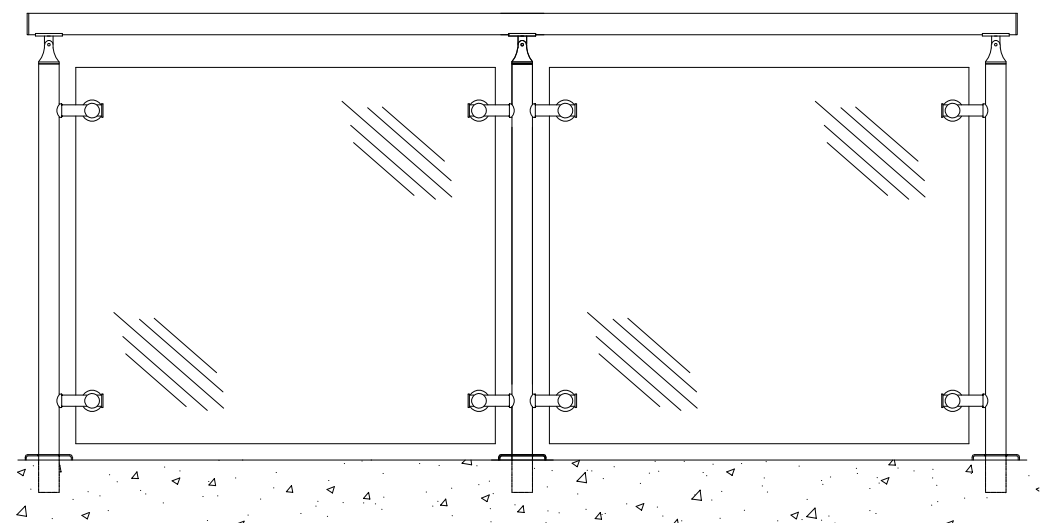
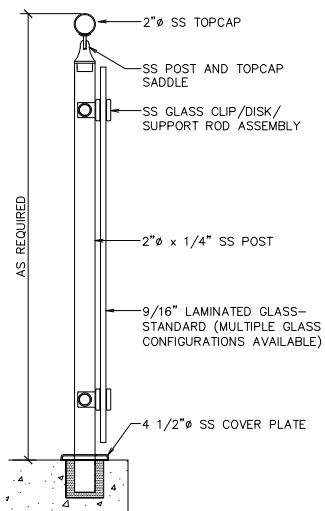
THIS DRAWING IS THE PROPERTY OF
 TREX COMMERCIAL PRODUCTS, INC.
 NEITHER THE DRAWING NOR ITEMS
 THEREON ARE TO BE REPRODUCED
 OR USED IN ANY MANNER NOT
 AUTHORIZED BY TREX COMMERCIAL
 PRODUCTS, INC. IN WRITING.
 © 2016 TREX COMMERCIAL
 PRODUCTS, INC. ALL RIGHTS RESERVED.

DR. BY JRS
 SCALE
 UNspecified TOLERANCES
 ARE TO BE
 LINEAR ANGULAR
 $\pm 1/32''$ $\pm 0.5^\circ$

PROJECT
DIVISION 5

PRODUCT
SOUTHPARK

NUMBER
SOUTHPARK - 1



ITEM	DATE	DESCRIPTION OF CHANGE	AUTH.
△			



CORPORATE OFFICE
 7008 Northland Dr. Suite 150
 Minneapolis, Minnesota 55428
 PH: (763) 533-2094

MATERIAL
 AS SHOWN

TITLE
**SOUTHPARK
 TOPRAIL CONFIGURATION
 (WELDED)**

THIS DRAWING IS THE PROPERTY OF
 TREX COMMERCIAL PRODUCTS, INC.
 NEITHER THE DRAWING NOR ITEMS
 THEREON ARE TO BE REPRODUCED
 OR USED IN ANY MANNER NOT
 AUTHORIZED BY TREX COMMERCIAL
 PRODUCTS, INC. IN WRITING.
 © 2016 TREX COMMERCIAL
 PRODUCTS, INC. ALL RIGHTS RESERVED.

DR. BY JRS
 SCALE
 UNspecified TOLERANCES
 ARE TO BE
 LINEAR ANGULAR
 $\pm 1/32''$ $\pm 0.5^\circ$

PROJECT
DIVISION 5

PRODUCT
SOUTHPARK

NUMBER
SOUTHPARK - 2