



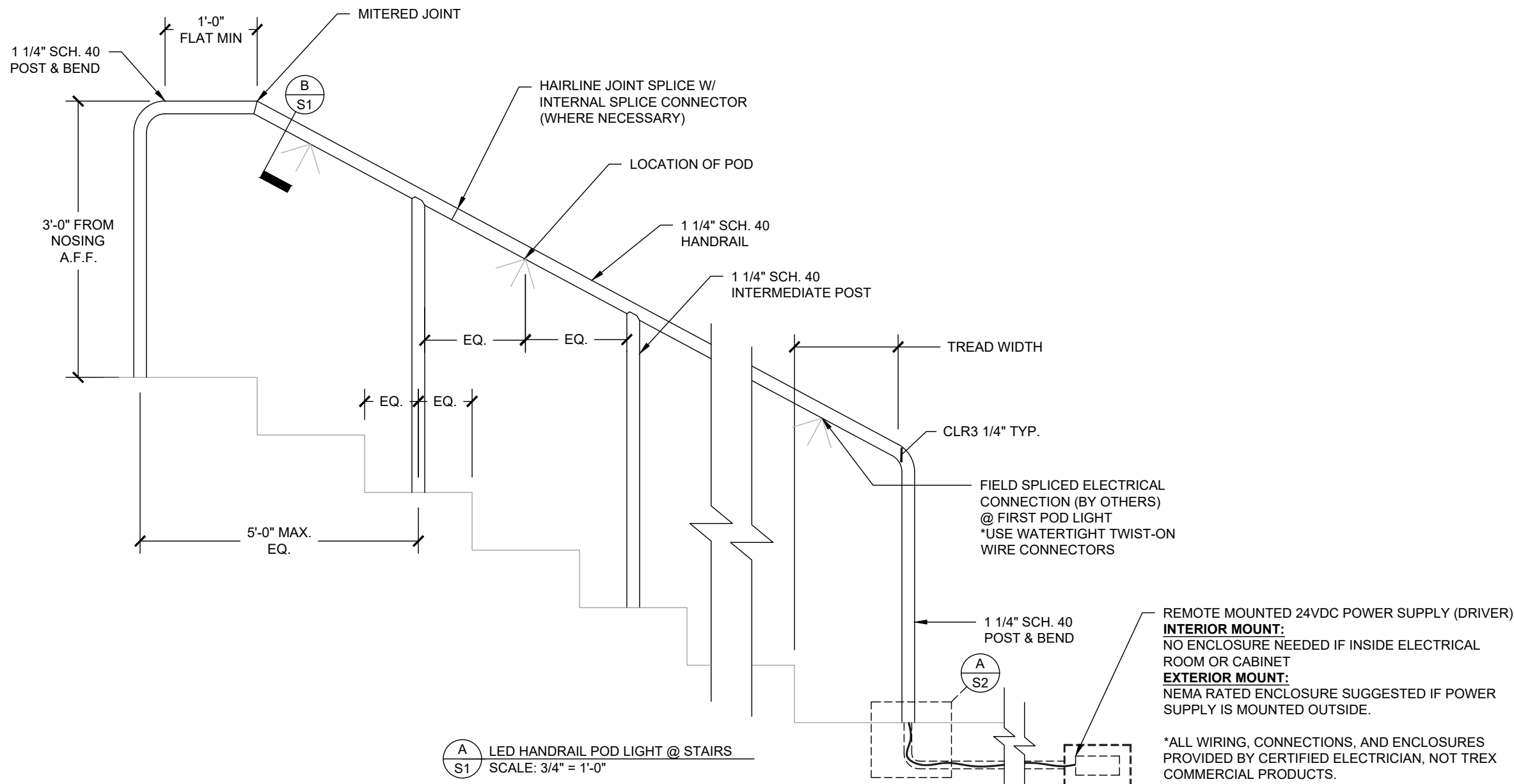
COMMERCIAL PRODUCTS

7008 NORTHLAND DR., SUITE 150
MINNEAPOLIS, MN 55428
PH: (763) 533-2094

THIS DRAWING IS THE PROPERTY OF TREX COMMERCIAL PRODUCTS, INC. NEITHER THE DRAWING NOR ITEMS THEREON ARE TO BE REPRODUCED OR USED IN ANY MANNER NOT AUTHORIZED BY TREX COMMERCIAL PRODUCTS, INC. IN WRITING.

PROJECT INFORMATION

PROJECT:
TREX LED HANDRAIL
SALES DRAWING
LOCATION:
MINNEAPOLIS, MN



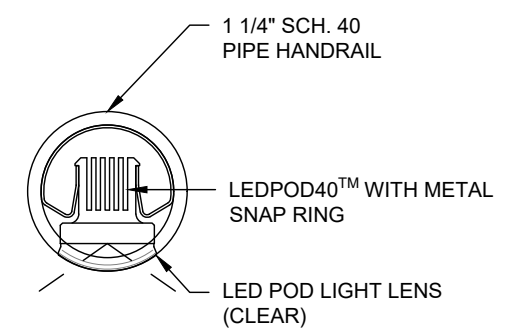
A LED HANDRAIL POD LIGHT @ STAIRS
SCALE: 3/4" = 1'-0"

REMOTE MOUNTED 24VDC POWER SUPPLY (DRIVER)

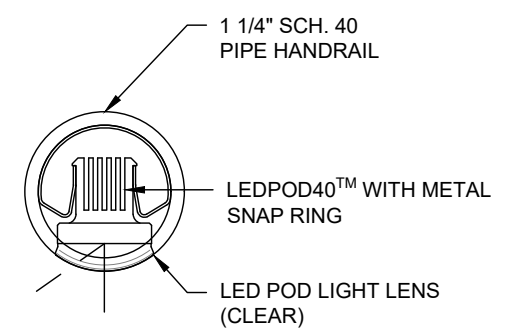
INTERIOR MOUNT:
NO ENCLOSURE NEEDED IF INSIDE ELECTRICAL ROOM OR CABINET

EXTERIOR MOUNT:
NEMA RATED ENCLOSURE SUGGESTED IF POWER SUPPLY IS MOUNTED OUTSIDE.

*ALL WIRING, CONNECTIONS, AND ENCLOSURES PROVIDED BY CERTIFIED ELECTRICIAN, NOT TREX COMMERCIAL PRODUCTS.



B1 LED POD LIGHT SECTION - SYMMETRIC
SCALE: 6"=1'-0"



B2 LED POD LIGHT SECTION - ASYMMETRIC
SCALE: 6"=1'-0"

LED POD LIGHT SPECS
LEDPOD40™
INPUT VOLTAGE: 24VDC
POWER CONSUMPTION: 2.0 WATTS/POD
MAX. FLUX: 145 LUMENS/POD
COLOR: WARM WHITE - 3000K
BEAM ANGLE: 110° (SYMMETRIC) 55° (ASYMMETRIC)
DIMMABLE: YES (0-10V)
LENS: CLEAR
CRI: 80-85
LIFESPAN: UP TO 50,000 HRS
SUITABLE USES: IP 65 (DRY OR DAMP LOCATIONS)
CERTIFICATIONS: UL, cUL
WARRANTY: 5 YEARS

POWER SUPPLY (DRIVER) SPECS
INPUT VOLTAGE: 110-277VAC
INPUT Hz: 50-60 Hz
OUTPUT VOLTAGE: 24VDC
OUTPUT WATTS (MAX): 96 WATTS (or) 2x 96 WATTS
OUTPUT WATTS (80%): 76 WATTS
OUTPUT CURRENT: 4 AMPS
DIMMABLE: YES (0-10V)
OPERATING TEMPS:-40 TO 120 DEGREES
CLASS RATING: CLASS 2
INTEGRATED WIRE COMPARTMENT
SUITABLE USES: IP 67 (DRY OR WET LOCATIONS)
CERTIFICATIONS: UL, RoHS
WARRANTY: 5 YEARS

ELECTRICAL COMPONENTS MANUFACTURED BY KLIK USA (POD) & Q-TRAN INC. (DRIVER)

*DIMENSIONS AND SPECIFICATIONS LISTED ARE FOR TREX COMMERCIAL PRODUCTS STANDARD LED HANDRAIL. SEE SALES SHEET FOR OTHER AVAILABLE OPTIONS.

TREX LED HANDRAIL - POD LIGHT
TYPICAL TREAD MOUNT RAIL DETAILS

DRAWN BY NBB	DATE 3/27/20
PROJECT NUMBER SALES	
SHEET NUMBER TC-LED-POD-FMHR-S1	

ITEM	DESCRIPTION	AUTH	DATE



COMMERCIAL PRODUCTS

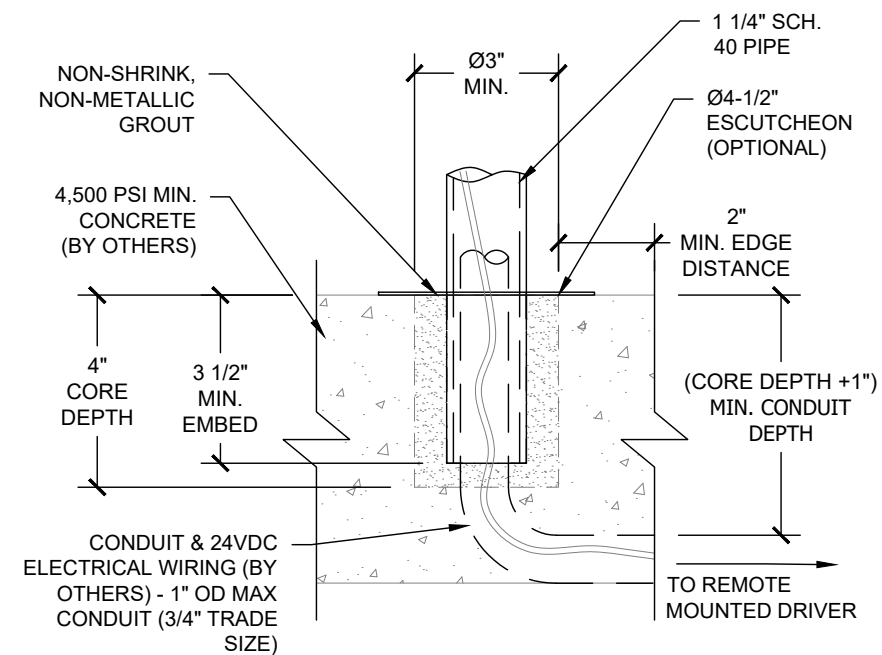
7008 NORTHLAND DR., SUITE 150
MINNEAPOLIS, MN 55428
PH: (763) 533-2094

THIS DRAWING IS THE PROPERTY OF TREX COMMERCIAL PRODUCTS, INC. NEITHER THE DRAWING NOR ITEMS THEREON ARE TO BE REPRODUCED OR USED IN ANY MANNER NOT AUTHORIZED BY TREX COMMERCIAL PRODUCTS, INC. IN WRITING.

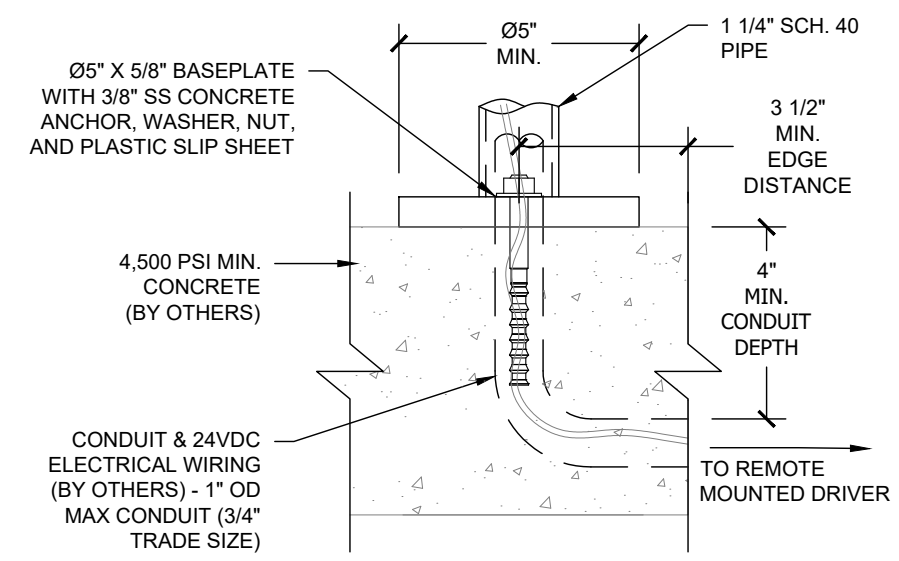
PROJECT INFORMATION

PROJECT:
TREX LED HANDRAIL
SALES DRAWING
LOCATION:
MINNEAPOLIS, MN

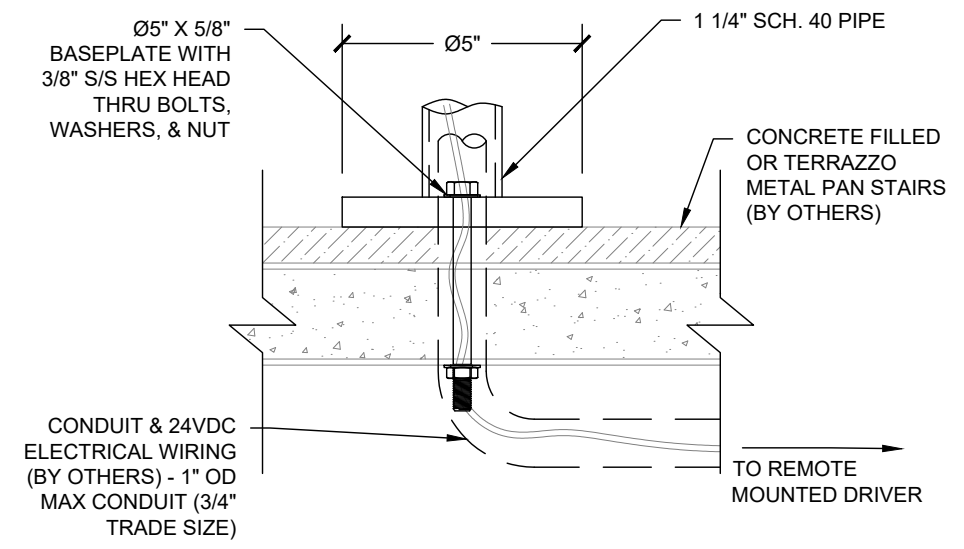
**TREX LED HANDRAIL - POD LIGHT
TYPICAL TREAD MOUNT RAIL DETAILS**



A1 LED HANDRAIL CORE CONNECTION DETAIL
S2 SCALE:



A2 LED HANDRAIL BASEPLATE CONNECTION DETAIL
S2 SCALE: 3"=1'-0"



A3 LED HANDRAIL BASEPLATE CONNECTION DETAIL
S2 SCALE: 3"=1'-0"

*DIMENSIONS AND SPECIFICATIONS LISTED ARE FOR TREX COMMERCIAL PRODUCTS STANDARD LED HANDRAIL. SEE SALES SHEET FOR OTHER AVAILABLE OPTIONS.

DRAWN BY NBB	DATE 3/27/20
PROJECT NUMBER SALES	
SHEET NUMBER TC-LED-POD-FMHR-S2	

ITEM	DESCRIPTION	AUTH	DATE