



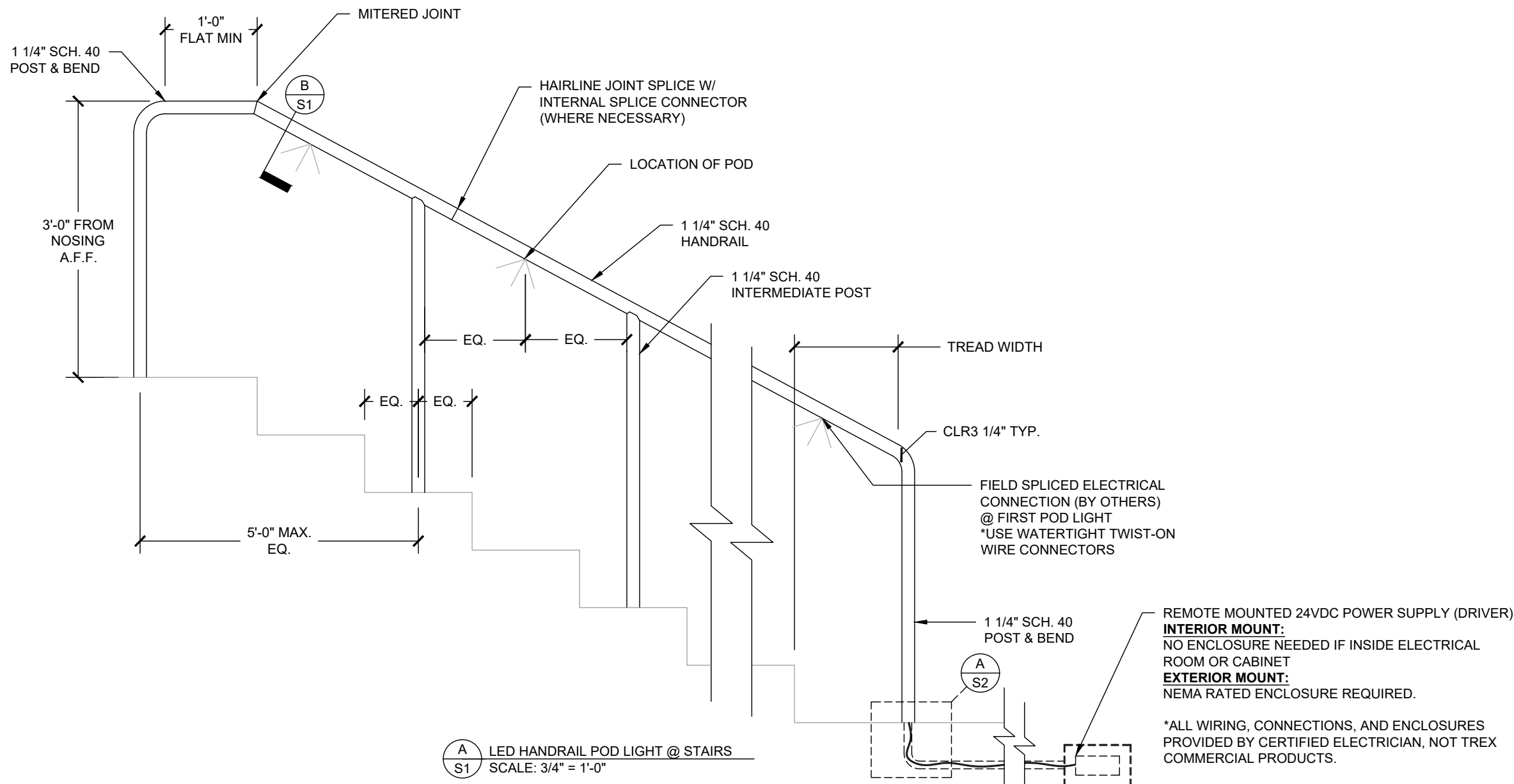
**COMMERCIAL PRODUCTS**

7008 NORTHLAND DR., SUITE 150  
MINNEAPOLIS, MN 55428  
PH: (763) 533-2094

THIS DRAWING IS THE PROPERTY OF TREX COMMERCIAL PRODUCTS, INC. NEITHER THE DRAWING NOR ITEMS THEREON ARE TO BE REPRODUCED OR USED IN ANY MANNER NOT AUTHORIZED BY TREX COMMERCIAL PRODUCTS, INC. IN WRITING.

**PROJECT INFORMATION**

PROJECT:  
TREX LED HANDRAIL  
SALES DRAWING  
LOCATION:  
MINNEAPOLIS, MN

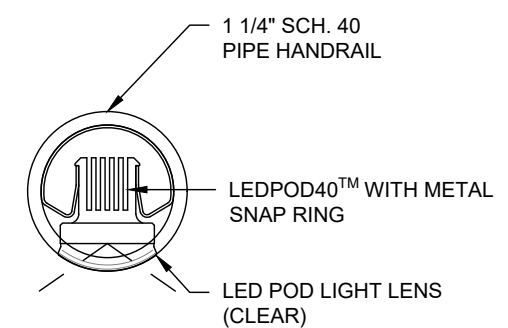


**A** LED HANDRAIL POD LIGHT @ STAIRS  
SCALE: 3/4" = 1'-0"

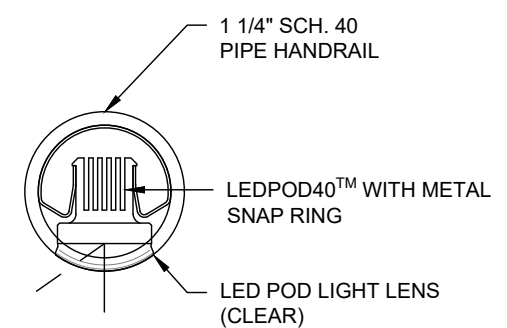
REMOTE MOUNTED 24VDC POWER SUPPLY (DRIVER)  
**INTERIOR MOUNT:**  
NO ENCLOSURE NEEDED IF INSIDE ELECTRICAL ROOM OR CABINET  
**EXTERIOR MOUNT:**  
NEMA RATED ENCLOSURE REQUIRED.

\*ALL WIRING, CONNECTIONS, AND ENCLOSURES PROVIDED BY CERTIFIED ELECTRICIAN, NOT TREX COMMERCIAL PRODUCTS.

LED POD LIGHT SPECS	POWER SUPPLY (DRIVER) SPECS
LEDPOD40™	AL-PS-D-TR-SL-96
INPUT VOLTAGE: 24VDC	INPUT VOLTAGE: 110-277VAC
POWER CONSUMPTION: 2.0 WATTS/POD	INPUT Hz: 50-60 Hz
MAX. FLUX: 145 LUMENS/POD	OUTPUT VOLTAGE: 24VDC
COLOR: WARM WHITE - 3000K	OUTPUT WATTS (MAX): 96 WATTS
BEAM ANGLE: 110° (SYMMETRIC) 55° (ASYMMETRIC)	OUTPUT WATTS (80%): 76 WATTS
DIMMABLE: YES (0-10V)	OUTPUT CURRENT: 4 AMPS
LENS: CLEAR	DIMMABLE: YES (0-10V)
CRI: 80-85	OPERATING TEMPS:-40 TO 120 DEGREES
LIFESPAN: UP TO 50,000 HRS	CLASS RATING: CLASS II
SUITABLE USES: IP 65 (DRY OR DAMP LOCATIONS)	HOUSING MATERIAL: ALUMINUM
CERTIFICATIONS: UL, cUL	WEIGHT 1.3 LBS
	SUITABLE USES: IP 67 (DRY OR WET LOCATIONS)
	CERTIFICATIONS: UL, RoHS



**B1** LED POD LIGHT SECTION - SYMMETRIC  
SCALE: 6"=1'-0"



**B2** LED POD LIGHT SECTION - ASYMMETRIC  
SCALE: 6"=1'-0"

\*DIMENSIONS AND SPECIFICATIONS LISTED ARE FOR TREX COMMERCIAL PRODUCTS STANDARD LED HANDRAIL. SEE SALES SHEET FOR OTHER AVAILABLE OPTIONS.

TREX LED HANDRAIL - POD LIGHT  
TYPICAL TREAD MOUNT RAIL DETAILS

DRAWN BY NBB	DATE 3/27/20
PROJECT NUMBER SALES	
SHEET NUMBER TC-LED-POD-FMHR-S1	

ITEM	DESCRIPTION	AUTH	DATE



**COMMERCIAL PRODUCTS**

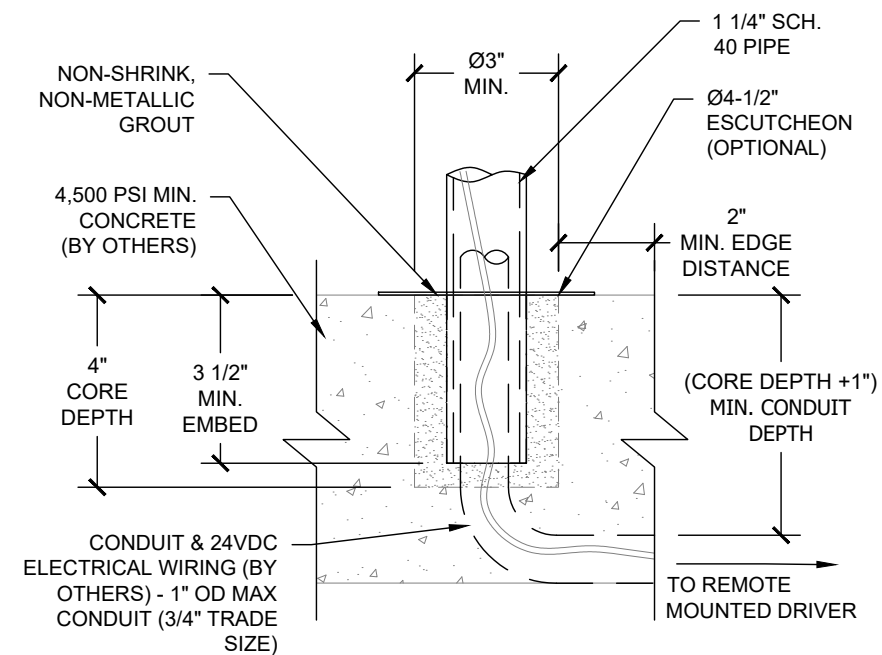
7008 NORTHLAND DR., SUITE 150  
MINNEAPOLIS, MN 55428  
PH: (763) 533-2094

THIS DRAWING IS THE PROPERTY OF TREX COMMERCIAL PRODUCTS, INC. NEITHER THE DRAWING NOR ITEMS THEREON ARE TO BE REPRODUCED OR USED IN ANY MANNER NOT AUTHORIZED BY TREX COMMERCIAL PRODUCTS, INC. IN WRITING.

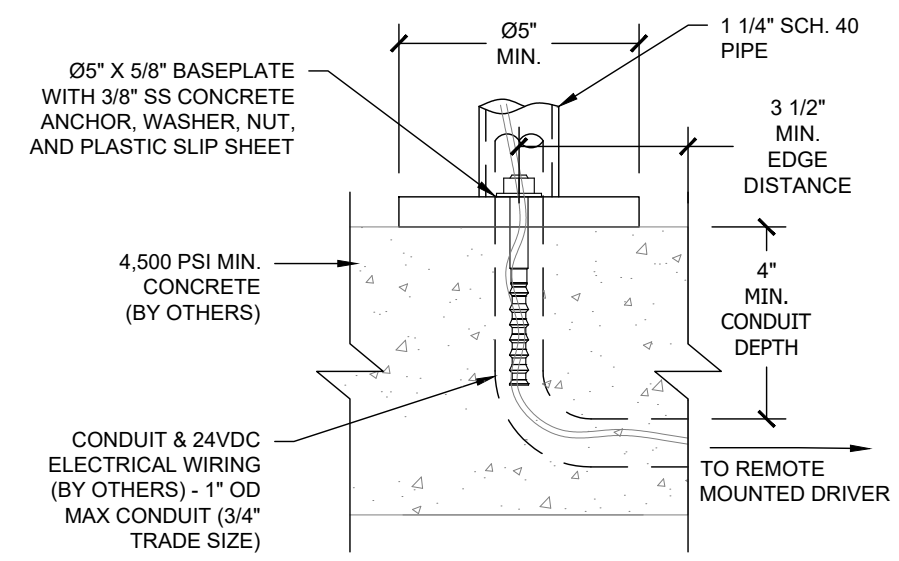
**PROJECT INFORMATION**

PROJECT:  
TREX LED HANDRAIL  
SALES DRAWING  
LOCATION:  
MINNEAPOLIS, MN

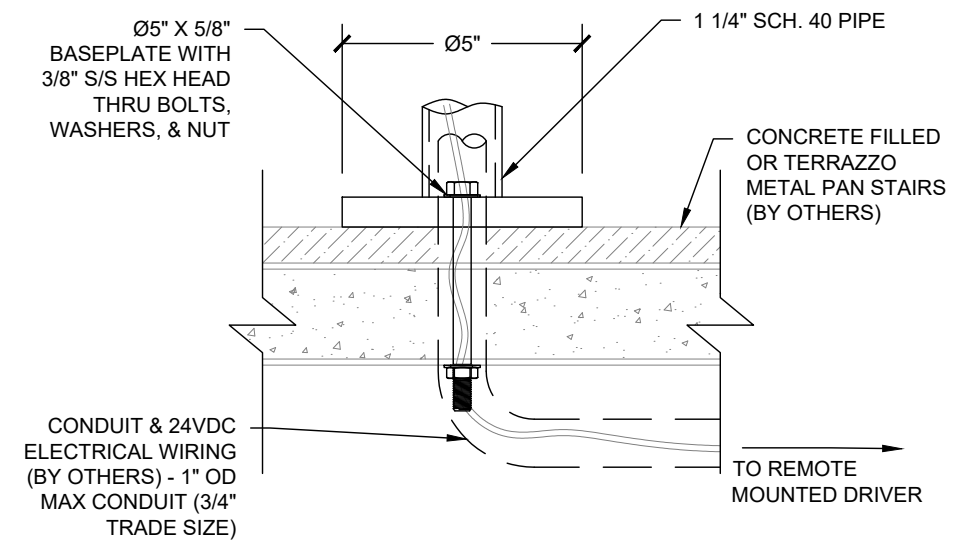
**TREX LED HANDRAIL - POD LIGHT  
TYPICAL TREAD MOUNT RAIL DETAILS**



**A1** LED HANDRAIL CORE CONNECTION DETAIL  
**S2** SCALE:



**A2** LED HANDRAIL BASEPLATE CONNECTION DETAIL  
**S2** SCALE: 3"=1'-0"



**A3** LED HANDRAIL BASEPLATE CONNECTION DETAIL  
**S2** SCALE: 3"=1'-0"

\*DIMENSIONS AND SPECIFICATIONS LISTED ARE FOR TREX COMMERCIAL PRODUCTS STANDARD LED HANDRAIL. SEE SALES SHEET FOR OTHER AVAILABLE OPTIONS.

DRAWN BY NBB	DATE 3/27/20
PROJECT NUMBER SALES	
SHEET NUMBER TC-LED-POD-FMHR-S2	

ITEM	DESCRIPTION	AUTH	DATE