



COMMERCIAL PRODUCTS

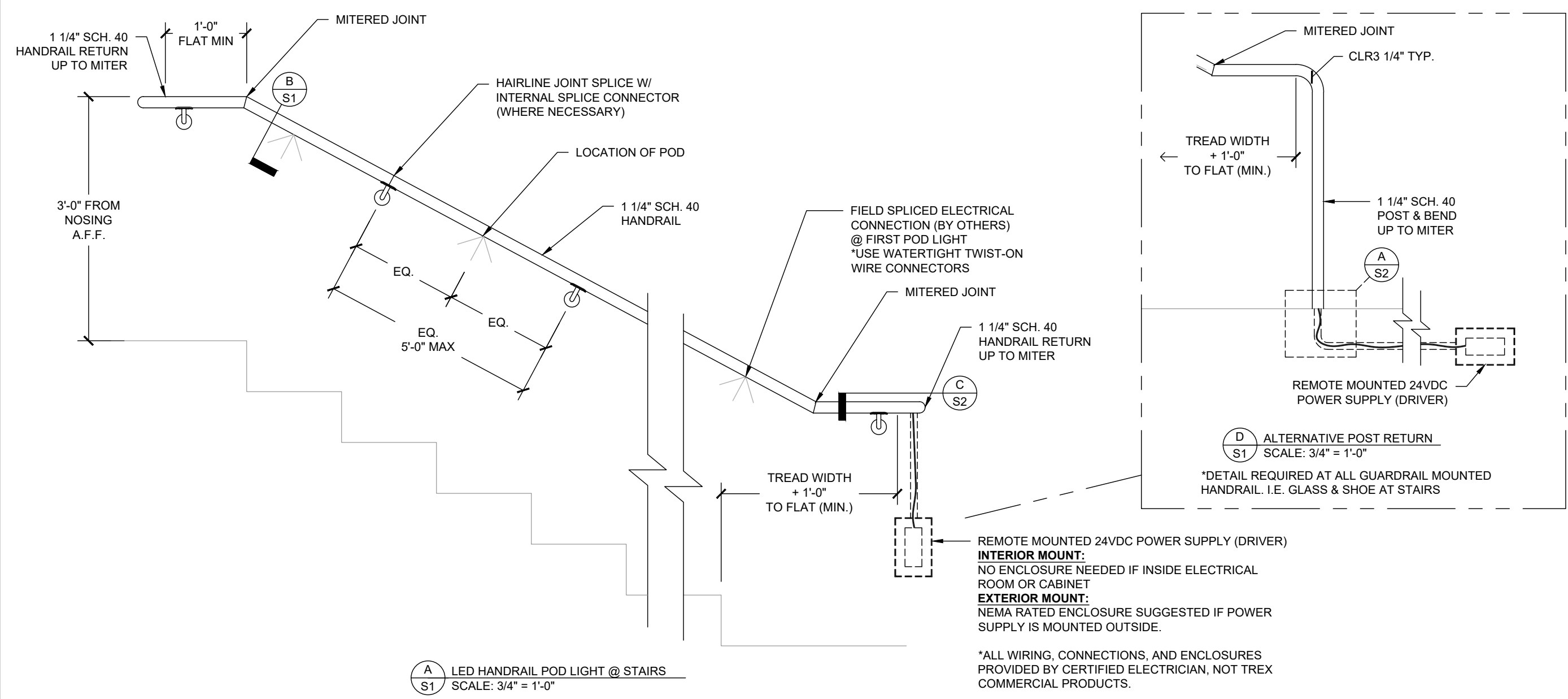
7008 NORTHLAND DR., SUITE 150
MINNEAPOLIS, MN 55428
PH: (763) 533-2094

THIS DRAWING IS THE PROPERTY OF
TREX COMMERCIAL PRODUCTS, INC.
NEITHER THE DRAWING NOR ITEMS
THEREON ARE TO BE REPRODUCED
OR USED IN ANY MANNER NOT
AUTHORIZED BY TREX COMMERCIAL
PRODUCTS, INC. IN WRITING.

PROJECT INFORMATION

PROJECT:
TREX LED HANDRAIL
SALES DRAWING
LOCATION:
MINNEAPOLIS, MN

**TREX LED HANDRAIL - POD LIGHT
TYPICAL WALL MOUNT RAIL DETAILS**



LED POD LIGHT SPECS	
LEDPOD40™	
INPUT VOLTAGE: 24VDC	
POWER CONSUMPTION: 2.0 WATTS/POD	
MAX. FLUX: 145 LUMENS/POD	
COLOR: WARM WHITE - 3000K	
BEAM ANGLE: 110° (SYMMETRIC) 55° (ASYMMETRIC)	
DIMMABLE: YES (0-10V)	
LENS: CLEAR	
CRI: 80-85	
LIFESPAN: UP TO 50,000 HRS	
SUITABLE USES: IP 65 (DRY OR DAMP LOCATIONS)	
CERTIFICATIONS: UL, cUL	
WARRANTY: 5 YEARS	

POWER SUPPLY (DRIVER) SPECS	
INPUT VOLTAGE: 110-277VAC	
INPUT Hz: 50-60 Hz	
OUTPUT VOLTAGE: 24VDC	
OUTPUT WATTS (MAX): 96 WATTS (or) 2x 96 WATTS	
OUTPUT WATTS (80%): 76 WATTS	
OUTPUT CURRENT: 4 AMPS	
DIMMABLE: YES (0-10V)	
OPERATING TEMPS:-40 TO 120 DEGREES	
CLASS RATING: CLASS 2	
INTEGRATED WIRE COMPARTMENT	
SUITABLE USES: IP 67 (DRY OR WET LOCATIONS)	
CERTIFICATIONS: UL, RoHS	
WARRANTY: 5 YEARS	

ELECTRICAL COMPONENTS MANUFACTURED BY KLIK USA (POD) & Q-TRAN INC. (DRIVER)

*DIMENSIONS AND SPECIFICATIONS LISTED ARE FOR TREX COMMERCIAL PRODUCTS STANDARD LED HANDRAIL. SEE SALES SHEET FOR OTHER AVAILABLE OPTIONS.

ITEM	DESCRIPTION	AUTH	DATE

DRAWN BY NBB	DATE 3/27/20
PROJECT NUMBER SALES	
SHEET NUMBER TC-LED-POD-WMHR-S1	



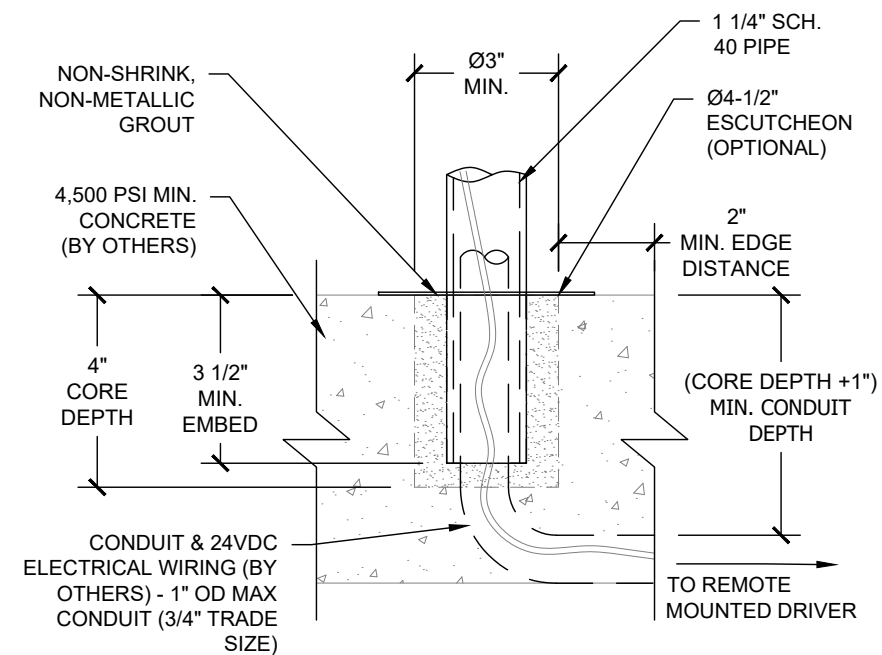
COMMERCIAL PRODUCTS

7008 NORTHLAND DR., SUITE 150
MINNEAPOLIS, MN 55428
PH: (763) 533-2094

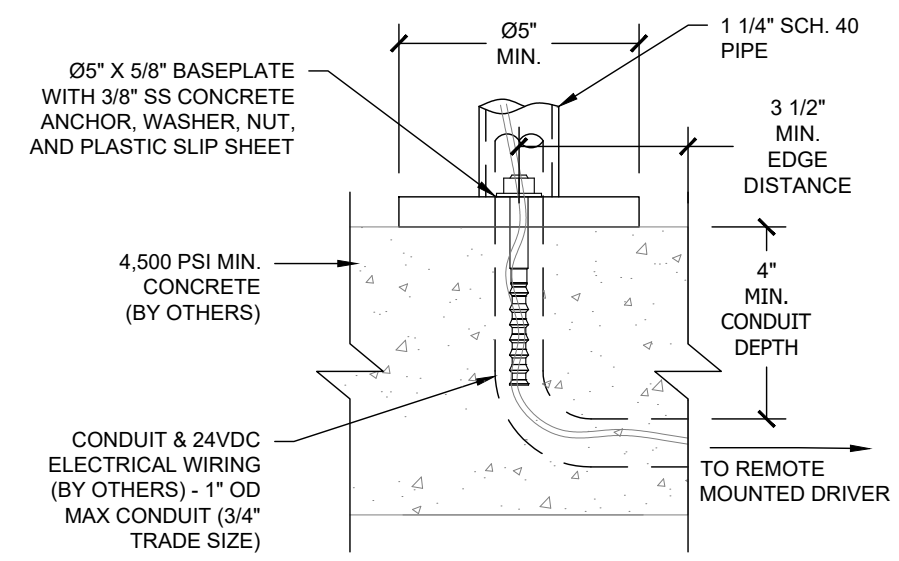
THIS DRAWING IS THE PROPERTY OF TREX COMMERCIAL PRODUCTS, INC. NEITHER THE DRAWING NOR ITEMS THEREON ARE TO BE REPRODUCED OR USED IN ANY MANNER NOT AUTHORIZED BY TREX COMMERCIAL PRODUCTS, INC. IN WRITING.

PROJECT INFORMATION

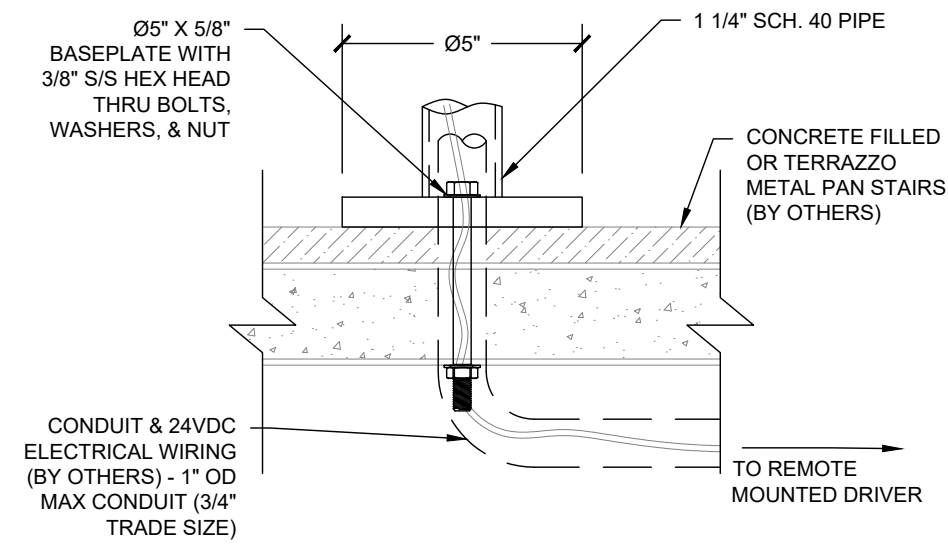
PROJECT:
TREX LED HANDRAIL SALES DRAWING
LOCATION:
MINNEAPOLIS, MN



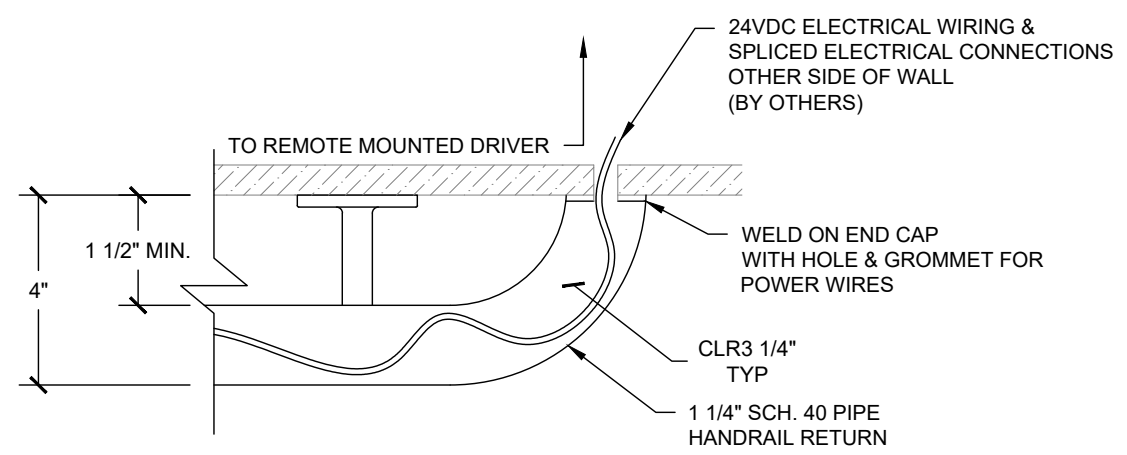
A1 LED HANDRAIL CORE CONNECTION DETAIL
S2 SCALE:



A2 LED HANDRAIL BASEPLATE CONNECTION DETAIL
S2 SCALE: 3"=1'-0"



A3 LED HANDRAIL BASEPLATE CONNECTION DETAIL
S2 SCALE: 3"=1'-0"



C LED HANDRAIL WALL CONNECTION DETAIL
S2 SCALE: 3"=1'-0"

*DIMENSIONS AND SPECIFICATIONS LISTED ARE FOR TREX COMMERCIAL PRODUCTS STANDARD LED HANDRAIL. SEE SALES SHEET FOR OTHER AVAILABLE OPTIONS.

TREX LED HANDRAIL - POD LIGHT
TYPICAL WALL MOUNT RAIL DETAILS

DRAWN BY NBB	DATE 3/27/20
PROJECT NUMBER SALES	
SHEET NUMBER TC-LED-POD-WMHR-S2	

ITEM	DESCRIPTION	AUTH	DATE