



COMMERCIAL PRODUCTS

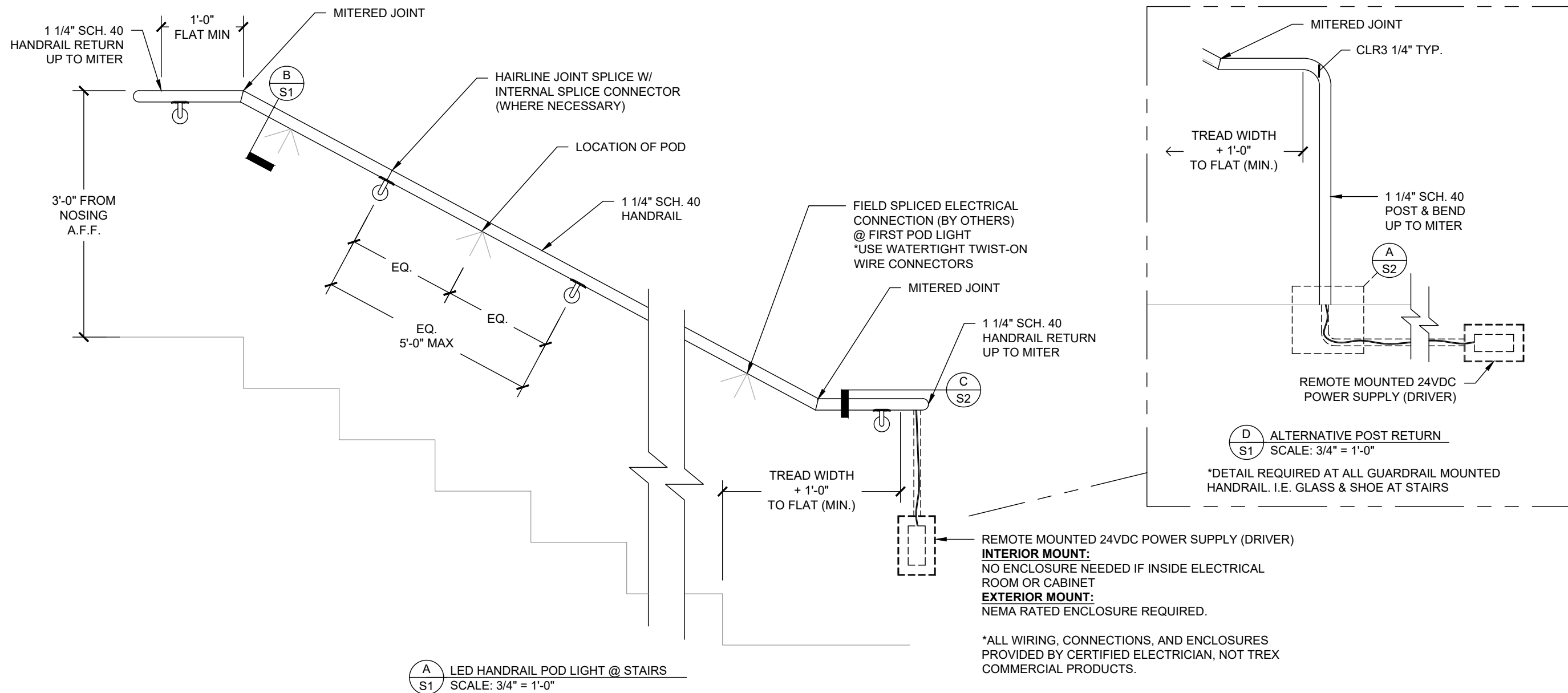
7008 NORTHLAND DR., SUITE 150
MINNEAPOLIS, MN 55428
PH: (763) 533-2094

THIS DRAWING IS THE PROPERTY OF TREX COMMERCIAL PRODUCTS, INC. NEITHER THE DRAWING NOR ITEMS THEREON ARE TO BE REPRODUCED OR USED IN ANY MANNER NOT AUTHORIZED BY TREX COMMERCIAL PRODUCTS, INC. IN WRITING.

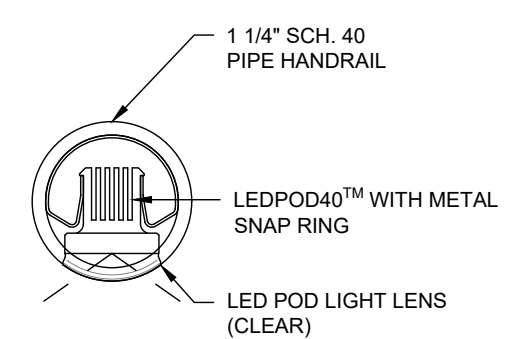
PROJECT INFORMATION

PROJECT:
TREX LED HANDRAIL
SALES DRAWING
LOCATION:
MINNEAPOLIS, MN

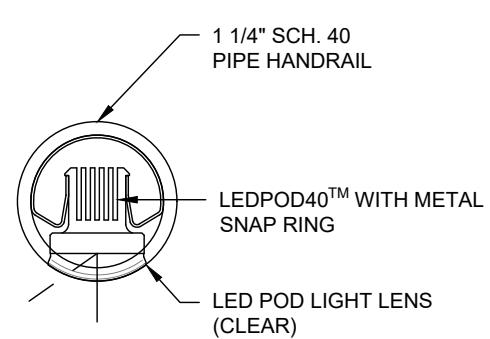
**TREX LED HANDRAIL - POD LIGHT
TYPICAL WALL MOUNT RAIL DETAILS**



A LED HANDRAIL POD LIGHT @ STAIRS
SCALE: 3/4" = 1'-0"



B1 LED POD LIGHT SECTION - SYMMETRIC
SCALE: 6"=1'-0"



B2 LED POD LIGHT SECTION - ASYMMETRIC
SCALE: 6"=1'-0"

LED POD LIGHT SPECS

LEDPOD40™
 INPUT VOLTAGE: 24VDC
 POWER CONSUMPTION: 2.0 WATTS/POD
 MAX. FLUX: 145 LUMENS/POD
 COLOR: WARM WHITE - 3000K
 BEAM ANGLE: 110° (SYMMETRIC)
 55° (ASYMMETRIC)
 DIMMABLE: YES (0-10V)
 LENS: CLEAR
 CRI: 80-85
 LIFESPAN: UP TO 50,000 HRS
 SUITABLE USES: IP 65 (DRY OR DAMP LOCATIONS)
 CERTIFICATIONS: UL, cUL

POWER SUPPLY (DRIVER) SPECS

AL-PS-D-TR-SL-96
 INPUT VOLTAGE: 110-277VAC
 INPUT Hz: 50-60 Hz
 OUTPUT VOLTAGE: 24VDC
 OUTPUT WATTS (MAX): 96 WATTS
 OUTPUT WATTS (80%): 76 WATTS
 OUTPUT CURRENT: 4 AMPS
 DIMMABLE: YES (0-10V)
 OPERATING TEMPS:-40 TO 120 DEGREES
 CLASS RATING: CLASS II
 HOUSING MATERIAL: ALUMINUM
 WEIGHT 1.3 LBS
 SUITABLE USES: IP 67 (DRY OR WET LOCATIONS)
 CERTIFICATIONS: UL, RoHS

*DIMENSIONS AND SPECIFICATIONS LISTED ARE FOR TREX COMMERCIAL PRODUCTS STANDARD LED HANDRAIL. SEE SALES SHEET FOR OTHER AVAILABLE OPTIONS.

ITEM	DESCRIPTION	AUTH	DATE

DRAWN BY NBB	DATE 3/27/20
PROJECT NUMBER SALES	
SHEET NUMBER TC-LED-POD-WMHR-S1	



COMMERCIAL PRODUCTS

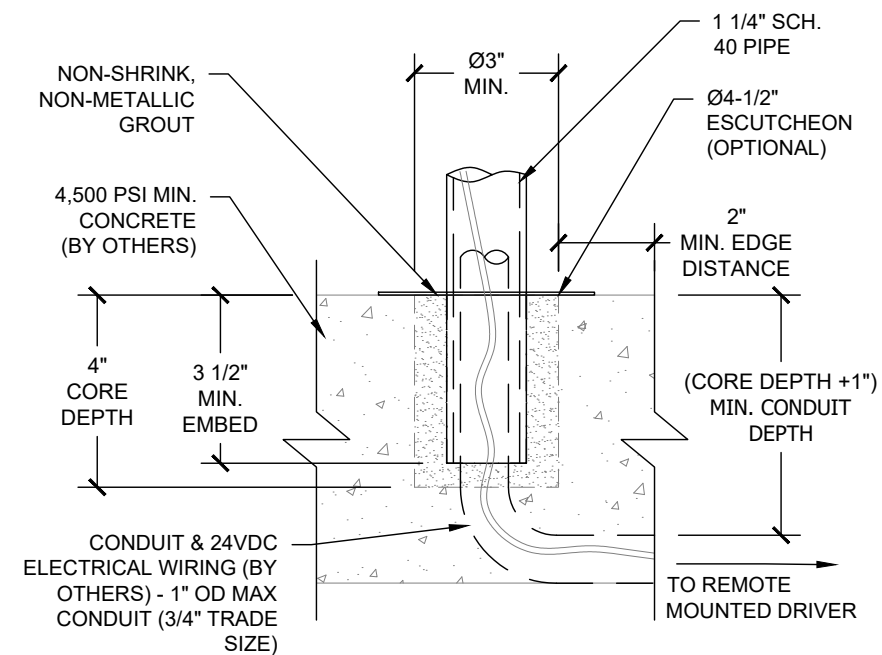
7008 NORTHLAND DR., SUITE 150
MINNEAPOLIS, MN 55428
PH: (763) 533-2094

THIS DRAWING IS THE PROPERTY OF TREX COMMERCIAL PRODUCTS, INC. NEITHER THE DRAWING NOR ITEMS THEREON ARE TO BE REPRODUCED OR USED IN ANY MANNER NOT AUTHORIZED BY TREX COMMERCIAL PRODUCTS, INC. IN WRITING.

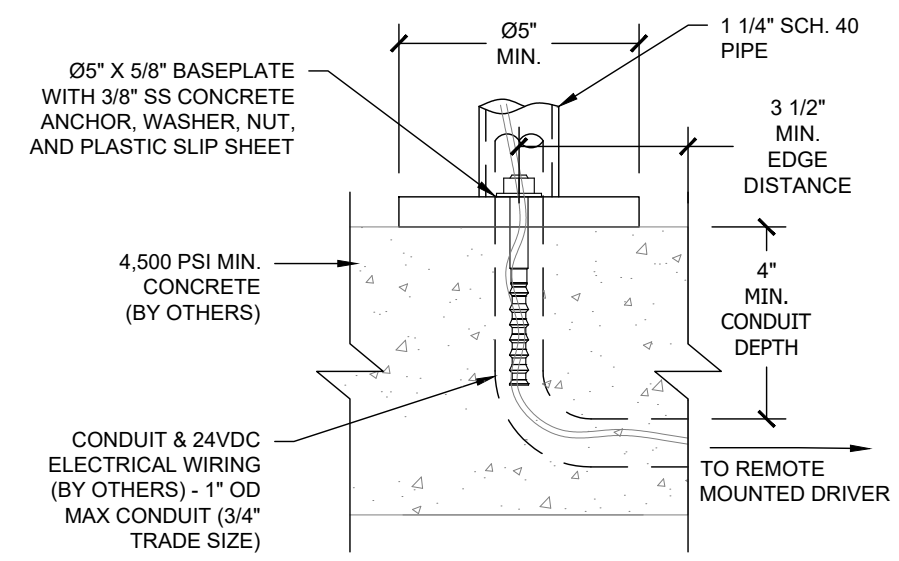
PROJECT INFORMATION

PROJECT:
TREX LED HANDRAIL SALES DRAWING
LOCATION:
MINNEAPOLIS, MN

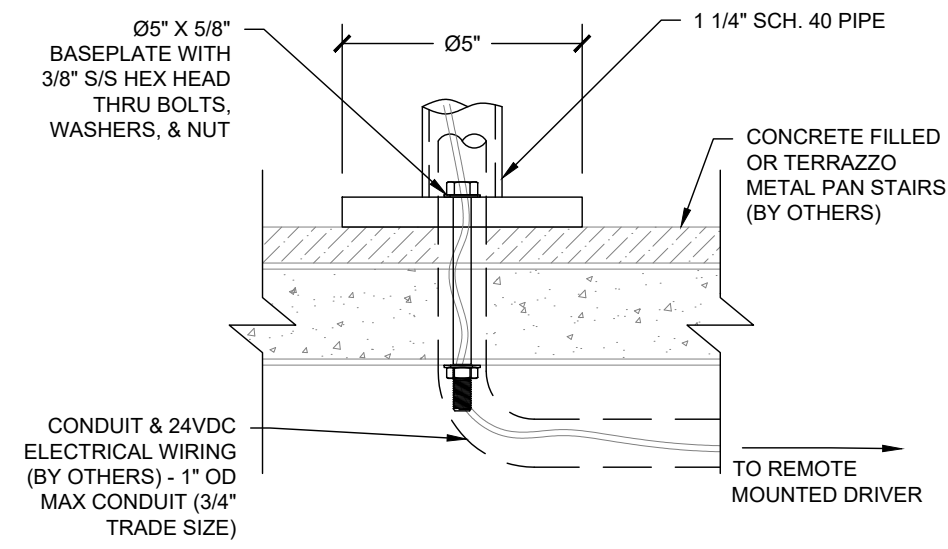
**TREX LED HANDRAIL - POD LIGHT
TYPICAL WALL MOUNT RAIL DETAILS**



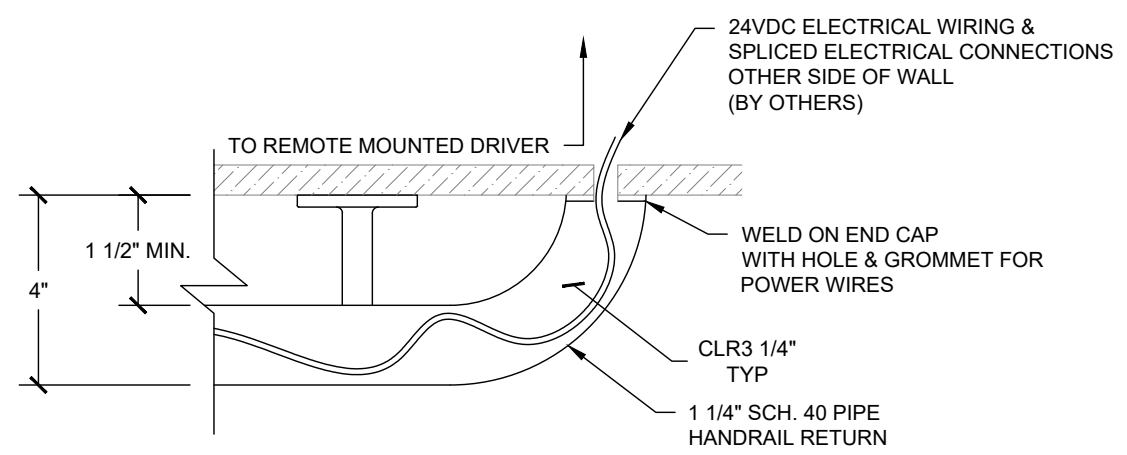
A1 LED HANDRAIL CORE CONNECTION DETAIL
S2 SCALE:



A2 LED HANDRAIL BASEPLATE CONNECTION DETAIL
S2 SCALE: 3"=1'-0"



A3 LED HANDRAIL BASEPLATE CONNECTION DETAIL
S2 SCALE: 3"=1'-0"



C LED HANDRAIL WALL CONNECTION DETAIL
S2 SCALE: 3"=1'-0"

*DIMENSIONS AND SPECIFICATIONS LISTED ARE FOR TREX COMMERCIAL PRODUCTS STANDARD LED HANDRAIL. SEE SALES SHEET FOR OTHER AVAILABLE OPTIONS.

ITEM	DESCRIPTION	AUTH	DATE

DRAWN BY NBB	DATE 3/27/20
PROJECT NUMBER SALES	
SHEET NUMBER TC-LED-POD-WMHR-S2	