



**COMMERCIAL PRODUCTS**

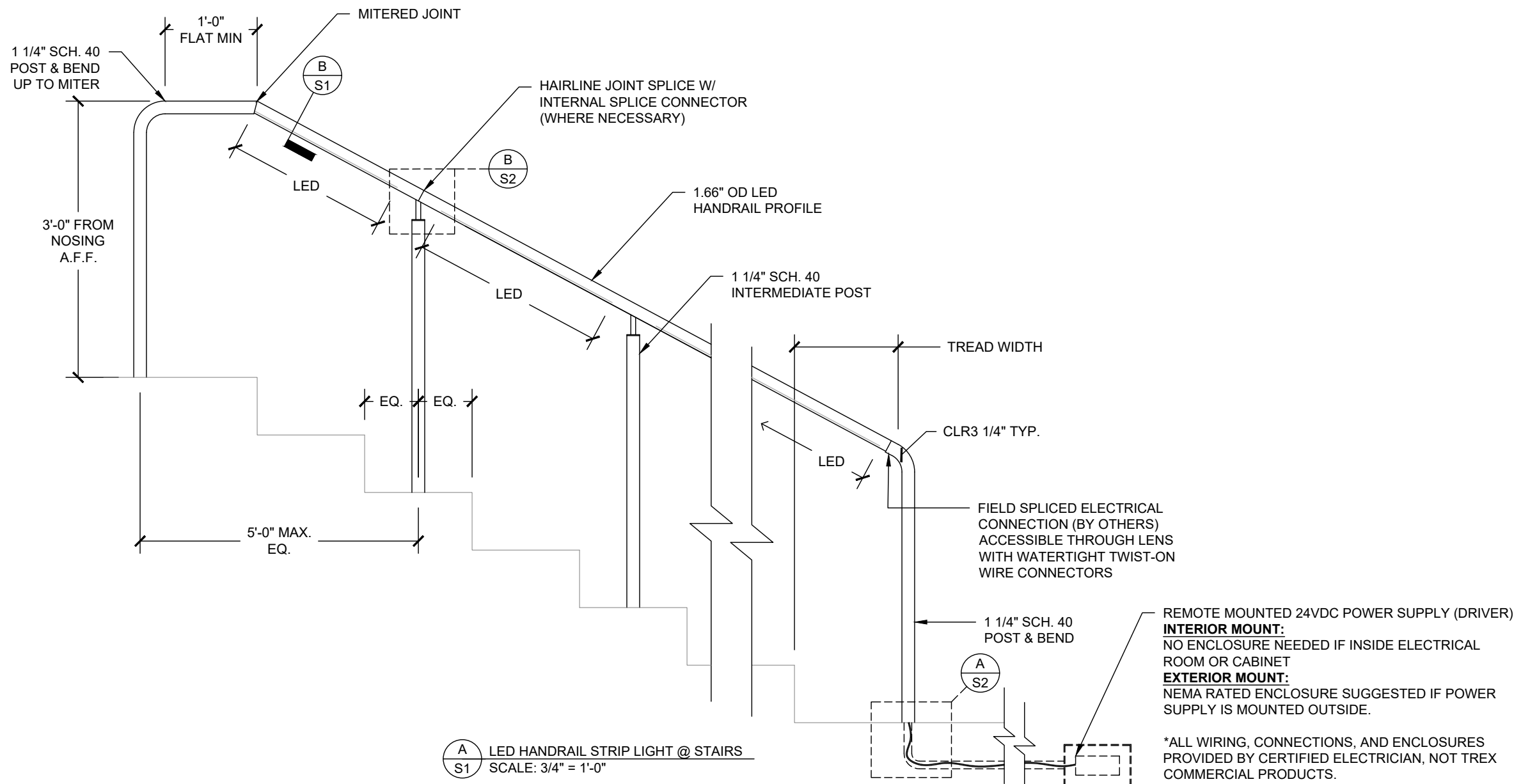
7008 NORTHLAND DR., SUITE 150  
MINNEAPOLIS, MN 55428  
PH: (763) 533-2094

THIS DRAWING IS THE PROPERTY OF  
TREX COMMERCIAL PRODUCTS, INC.  
NEITHER THE DRAWING NOR ITEMS  
THEREON ARE TO BE REPRODUCED  
OR USED IN ANY MANNER NOT  
AUTHORIZED BY TREX COMMERCIAL  
PRODUCTS, INC. IN WRITING.

**PROJECT INFORMATION**

PROJECT:  
TREX LED HANDRAIL  
SALES DRAWING  
LOCATION:  
MINNEAPOLIS, MN

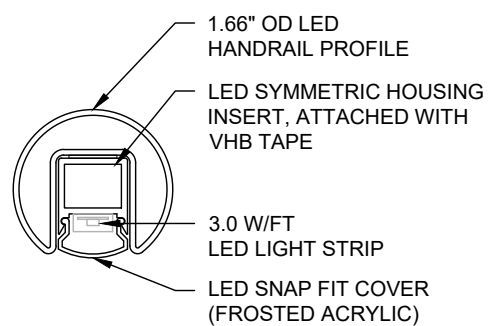
**TREX LED HANDRAIL - STRIP LIGHT  
TYPICAL TREAD MOUNT RAIL DETAILS**



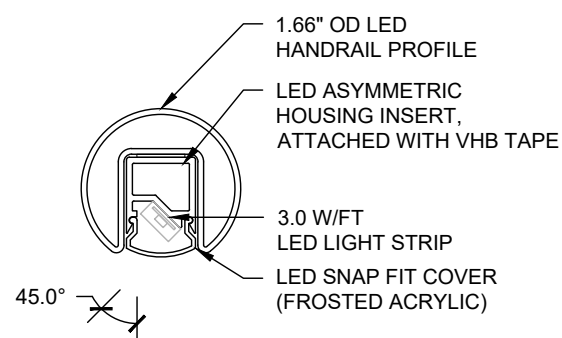
**A** LED HANDRAIL STRIP LIGHT @ STAIRS  
**S1** SCALE: 3/4" = 1'-0"

REMOTE MOUNTED 24VDC POWER SUPPLY (DRIVER)  
**INTERIOR MOUNT:**  
 NO ENCLOSURE NEEDED IF INSIDE ELECTRICAL ROOM OR CABINET  
**EXTERIOR MOUNT:**  
 NEMA RATED ENCLOSURE SUGGESTED IF POWER SUPPLY IS MOUNTED OUTSIDE.

\*ALL WIRING, CONNECTIONS, AND ENCLOSURES PROVIDED BY CERTIFIED ELECTRICIAN, NOT TREX COMMERCIAL PRODUCTS.



**B1** LED STRIP LIGHT SECTION - SYMMETRIC  
**S1** SCALE: 6"=1'-0"



**B2** LED STRIP LIGHT SECTION - ASYMMETRIC  
**S1** SCALE: 6"=1'-0"

**LED STRIP LIGHT SPECS**

POWER CONSUMPTION: 3.0 WATTS/FT  
 INPUT VOLTAGE: 24VDC  
 MAX. FLUX: 210 LUMENS/FT  
 COLOR: WARM WHITE - 3000K  
 BEAM ANGLE: 110° (SYMMETRIC)  
 55° (ASYMMETRIC) 45° NADIR  
 LED QTY: 75 LEDs/FT  
 DIMMABLE: YES (0-10V)  
 CRI: 95+  
 LIFESPAN: UP TO 70,000 HRS (LM70)  
 SUITABLE USES: IP 67 (DRY OR WET LOCATIONS)  
 CERTIFICATIONS: UL, cUL, RoHS  
 WARRANTY: 5 YEARS

**POWER SUPPLY (DRIVER) SPECS**

INPUT VOLTAGE: 110-277VAC  
 INPUT Hz: 50-60 Hz  
 OUTPUT VOLTAGE: 24VDC  
 OUTPUT WATTS (MAX): 96 WATTS (or) 2x 96 WATTS  
 OUTPUT WATTS (80%): 76 WATTS  
 OUTPUT CURRENT: 4 AMPS  
 DIMMABLE: YES (0-10V)  
 OPERATING TEMPS:-40 TO 140 DEGREES  
 CLASS RATING: CLASS 2  
 INTEGRATED WIRE COMPARTMENT  
 SUITABLE USES: IP 67 (DRY OR WET LOCATIONS)  
 CERTIFICATIONS: UL, RoHS  
 WARRANTY: 5 YEARS

ELECTRICAL COMPONENTS MANUFACTURED BY Q-TRAN INC.

\*DIMENSIONS AND SPECIFICATIONS LISTED ARE FOR TREX COMMERCIAL PRODUCTS STANDARD LED HANDRAIL. SEE SALES SHEET FOR OTHER AVAILABLE OPTIONS.

ITEM	DESCRIPTION	AUTH	DATE

DRAWN BY NBB	DATE 3/27/20
PROJECT NUMBER SALES	
SHEET NUMBER TC-LED-STRIP-FMHR-S1	



**COMMERCIAL PRODUCTS**

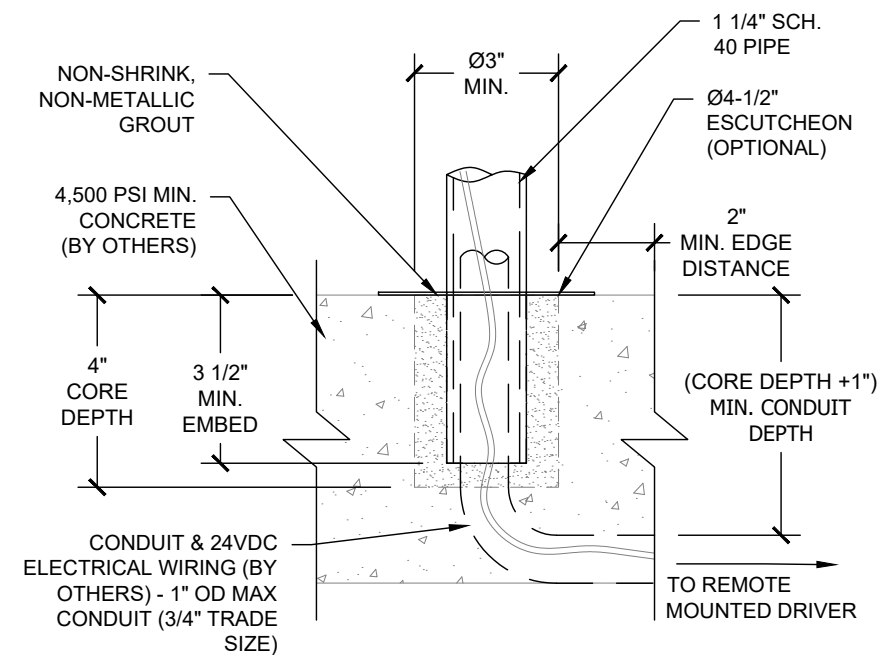
7008 NORTHLAND DR., SUITE 150  
MINNEAPOLIS, MN 55428  
PH: (763) 533-2094

THIS DRAWING IS THE PROPERTY OF TREX COMMERCIAL PRODUCTS, INC. NEITHER THE DRAWING NOR ITEMS THEREON ARE TO BE REPRODUCED OR USED IN ANY MANNER NOT AUTHORIZED BY TREX COMMERCIAL PRODUCTS, INC. IN WRITING.

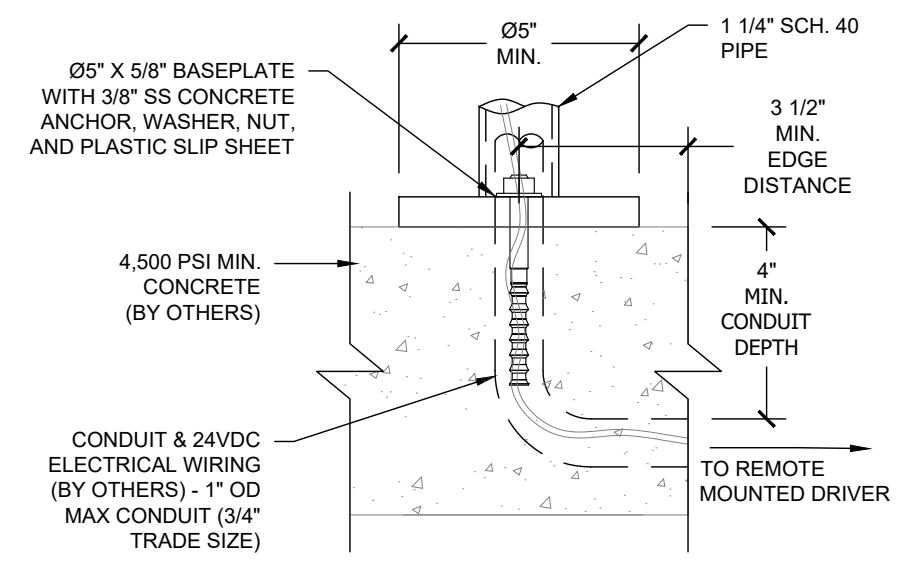
**PROJECT INFORMATION**

PROJECT:  
TREX LED HANDRAIL SALES DRAWING  
LOCATION:  
MINNEAPOLIS, MN

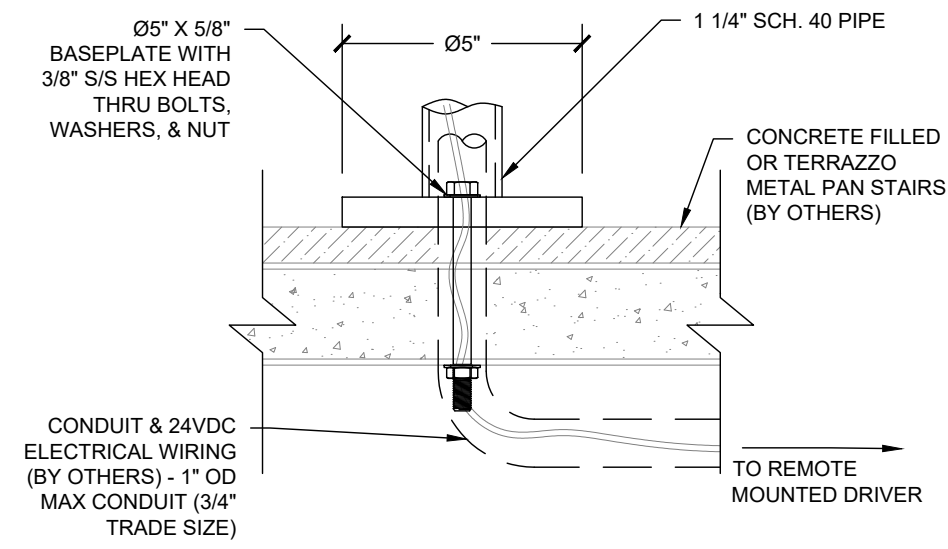
**TREX LED HANDRAIL - STRIP LIGHT  
TYPICAL TREAD MOUNT RAIL DETAILS**



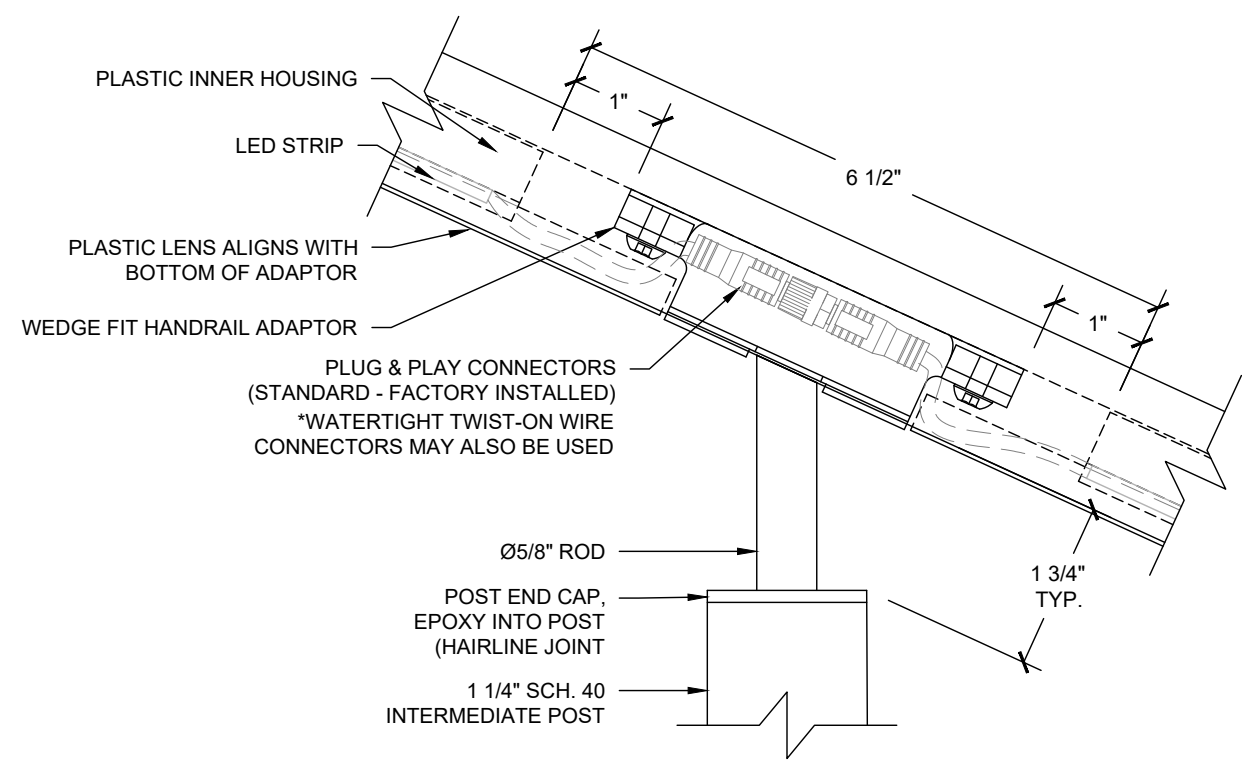
**A1** LED HANDRAIL CORE CONNECTION DETAIL  
**S2** SCALE:



**A2** LED HANDRAIL BASEPLATE CONNECTION DETAIL  
**S2** SCALE: 3"=1'-0"



**A3** LED HANDRAIL BASEPLATE CONNECTION DETAIL  
**S2** SCALE: 3"=1'-0"



**B** LED POST TOP CAP BRACKET DETAIL  
**S2** SCALE: 6"=1'-0"

\*DIMENSIONS AND SPECIFICATIONS LISTED ARE FOR TREX COMMERCIAL PRODUCTS STANDARD LED HANDRAIL. SEE SALES SHEET FOR OTHER AVAILABLE OPTIONS.

DRAWN BY NBB	DATE 3/27/20
PROJECT NUMBER SALES	
SHEET NUMBER TC-LED-STRIP-FMHR-S2	

ITEM	DESCRIPTION	AUTH	DATE