



COMMERCIAL PRODUCTS

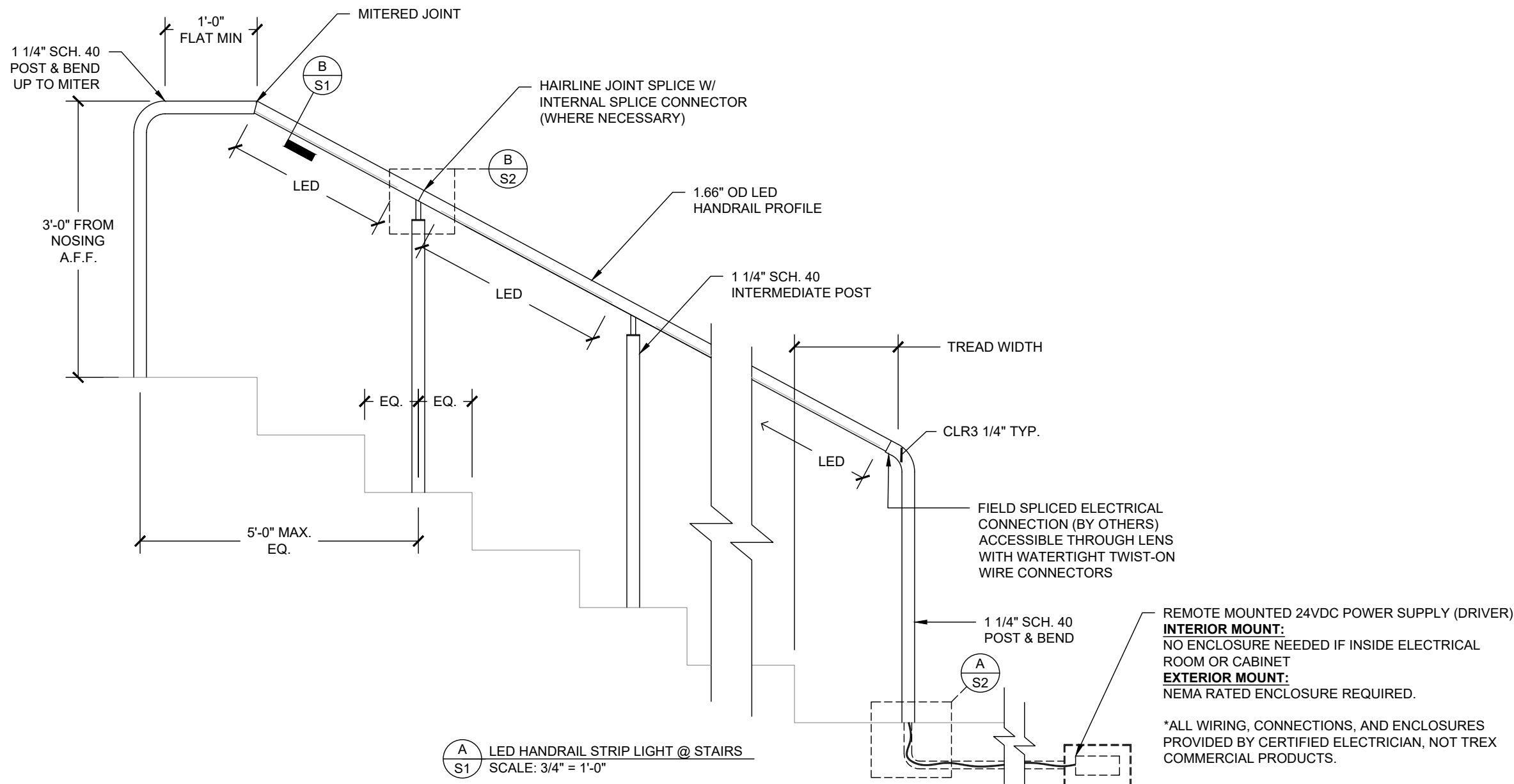
7008 NORTHLAND DR., SUITE 150
MINNEAPOLIS, MN 55428
PH: (763) 533-2094

THIS DRAWING IS THE PROPERTY OF TREX COMMERCIAL PRODUCTS, INC. NEITHER THE DRAWING NOR ITEMS THEREON ARE TO BE REPRODUCED OR USED IN ANY MANNER NOT AUTHORIZED BY TREX COMMERCIAL PRODUCTS, INC. IN WRITING.

PROJECT INFORMATION

PROJECT:
TREX LED HANDRAIL
SALES DRAWING
LOCATION:
MINNEAPOLIS, MN

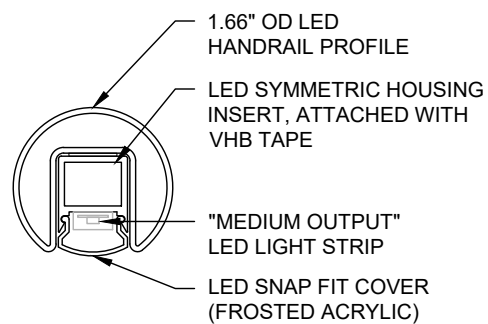
**TREX LED HANDRAIL - STRIP LIGHT
TYPICAL TREAD MOUNT RAIL DETAILS**



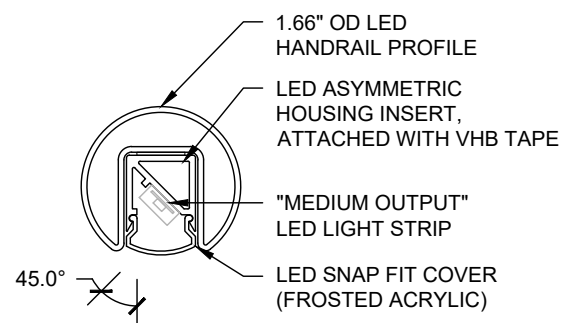
A LED HANDRAIL STRIP LIGHT @ STAIRS
SCALE: 3/4" = 1'-0"

REMOTE MOUNTED 24VDC POWER SUPPLY (DRIVER)
INTERIOR MOUNT:
NO ENCLOSURE NEEDED IF INSIDE ELECTRICAL ROOM OR CABINET
EXTERIOR MOUNT:
NEMA RATED ENCLOSURE REQUIRED.

*ALL WIRING, CONNECTIONS, AND ENCLOSURES PROVIDED BY CERTIFIED ELECTRICIAN, NOT TREX COMMERCIAL PRODUCTS.



B1 LED STRIP LIGHT SECTION - SYMMETRIC
SCALE: 6"=1'-0"



B2 LED STRIP LIGHT SECTION - ASYMMETRIC
SCALE: 6"=1'-0"

LED STRIP LIGHT SPECS

AL-SL-NW-U
MEDIUM OUTPUT
INPUT VOLTAGE: 24VDC
POWER CONSUMPTION: 2.92 WATTS/FT
MAX. FLUX: 232 LUMENS/FT
COLOR: WARM WHITE - 3000K
BEAM ANGLE: 120° (SYMMETRIC)
60° (ASYMMETRIC)
LED QTY: 36 LEDs/FT
DIMMABLE: YES (0-10V)
CRI: 88+
LIFESPAN: UP TO 50,000 HRS
SUITABLE USES: IP 68 (DRY OR WET LOCATIONS)
CERTIFICATIONS: UL, cUL, RoHS

POWER SUPPLY (DRIVER) SPECS

AL-PS-D-TR-SL-96
INPUT VOLTAGE: 110-277VAC
INPUT Hz: 50-60 Hz
OUTPUT VOLTAGE: 24VDC
OUTPUT WATTS (MAX): 96 WATTS
OUTPUT WATTS (80%): 76 WATTS
OUTPUT CURRENT: 4 AMPS
DIMMABLE: YES (0-10V)
OPERATING TEMPS:-40 TO 120 DEGREES
CLASS RATING: CLASS II
HOUSING MATERIAL: ALUMINUM
WEIGHT 1.3 LBS
SUITABLE USES: IP 67 (DRY OR WET LOCATIONS)
CERTIFICATIONS: UL, RoHS

*DIMENSIONS AND SPECIFICATIONS LISTED ARE FOR TREX COMMERCIAL PRODUCTS STANDARD LED HANDRAIL. SEE SALES SHEET FOR OTHER AVAILABLE OPTIONS.

ITEM	DESCRIPTION	AUTH	DATE

DRAWN BY NBB	DATE 3/27/20
PROJECT NUMBER SALES	
SHEET NUMBER TC-LED-STRIP-FMHR-S1	



COMMERCIAL PRODUCTS

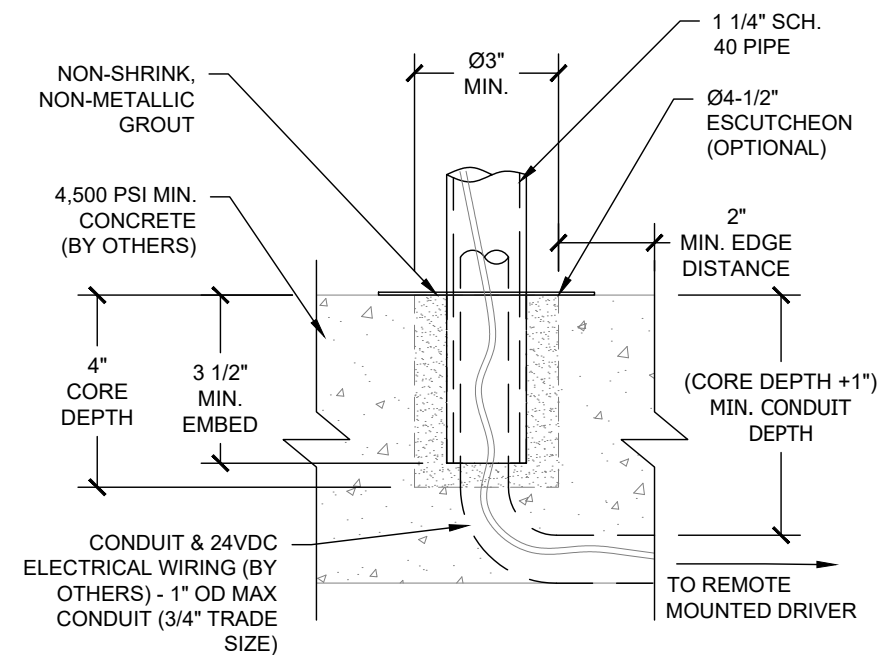
7008 NORTHLAND DR., SUITE 150
MINNEAPOLIS, MN 55428
PH: (763) 533-2094

THIS DRAWING IS THE PROPERTY OF TREX COMMERCIAL PRODUCTS, INC. NEITHER THE DRAWING NOR ITEMS THEREON ARE TO BE REPRODUCED OR USED IN ANY MANNER NOT AUTHORIZED BY TREX COMMERCIAL PRODUCTS, INC. IN WRITING.

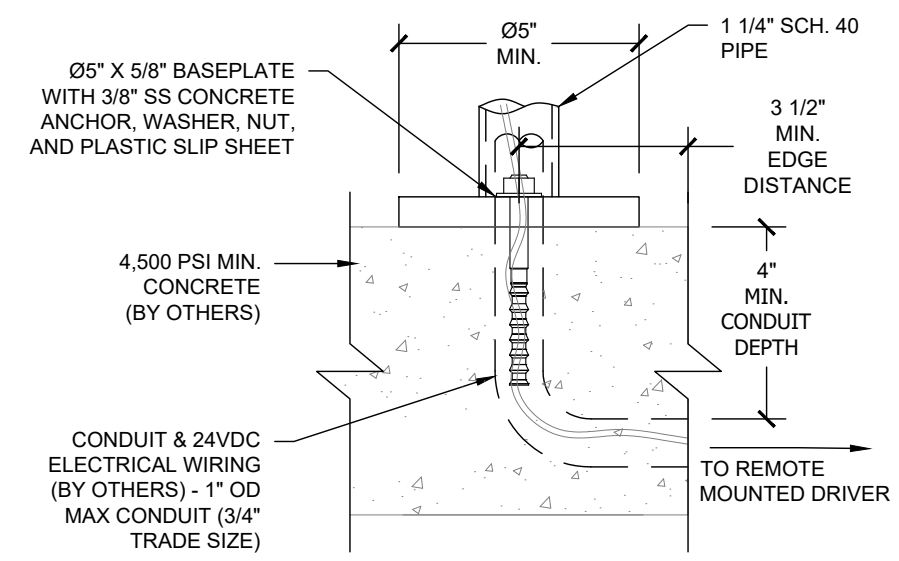
PROJECT INFORMATION

PROJECT:
TREX LED HANDRAIL
SALES DRAWING
LOCATION:
MINNEAPOLIS, MN

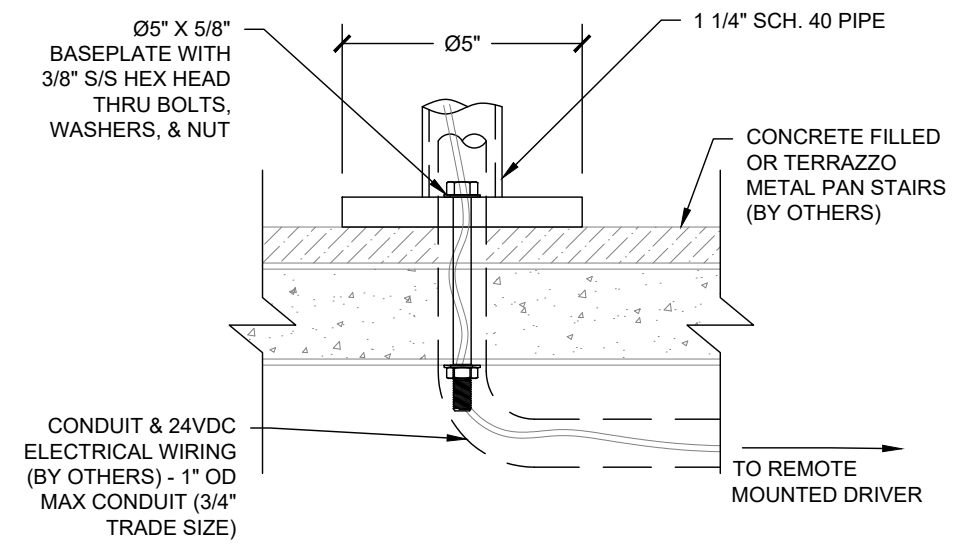
**TREX LED HANDRAIL - STRIP LIGHT
TYPICAL TREAD MOUNT RAIL DETAILS**



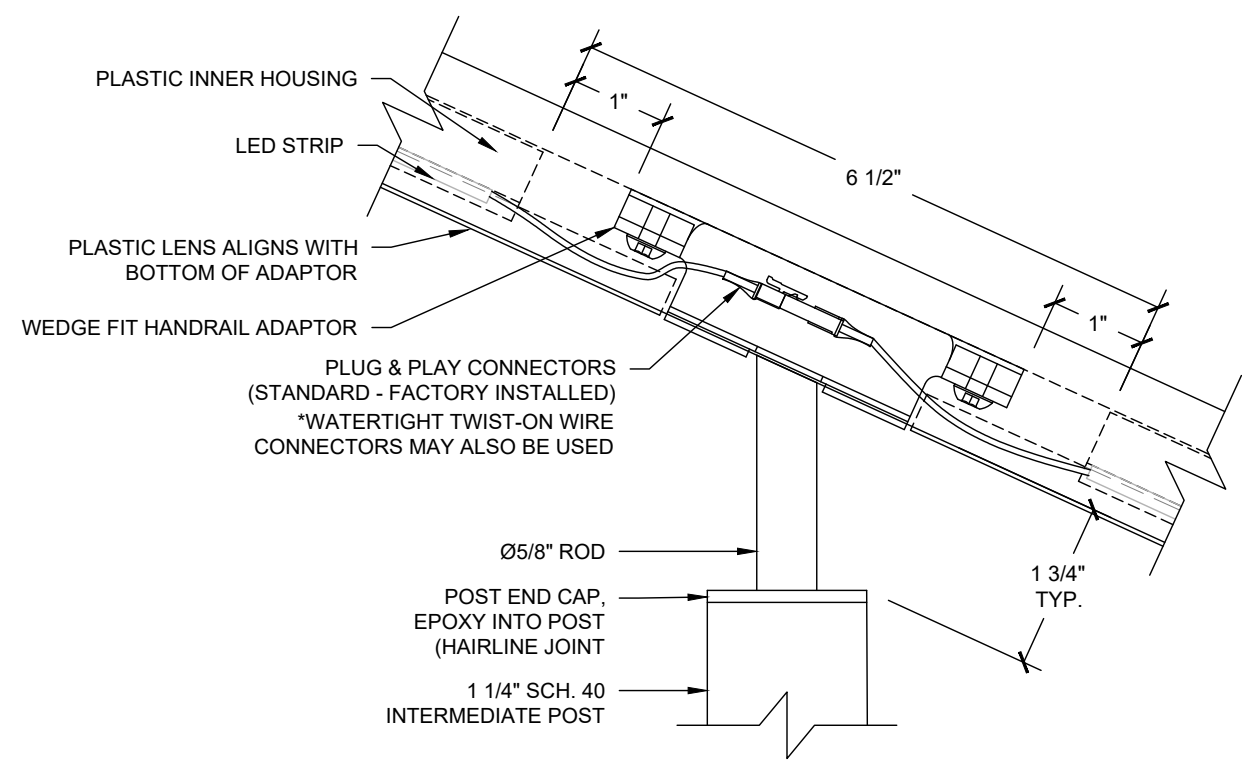
A1 LED HANDRAIL CORE CONNECTION DETAIL
S2 SCALE:



A2 LED HANDRAIL BASEPLATE CONNECTION DETAIL
S2 SCALE: 3"=1'-0"



A3 LED HANDRAIL BASEPLATE CONNECTION DETAIL
S2 SCALE: 3"=1'-0"



B LED POST TOP CAP BRACKET DETAIL
S2 SCALE: 6"=1'-0"

*DIMENSIONS AND SPECIFICATIONS LISTED ARE FOR TREX COMMERCIAL PRODUCTS STANDARD LED HANDRAIL. SEE SALES SHEET FOR OTHER AVAILABLE OPTIONS.

DRAWN BY NBB	DATE 3/27/20
PROJECT NUMBER SALES	
SHEET NUMBER TC-LED-STRIP-FMHR-S2	

ITEM	DESCRIPTION	AUTH	DATE