



**COMMERCIAL PRODUCTS**

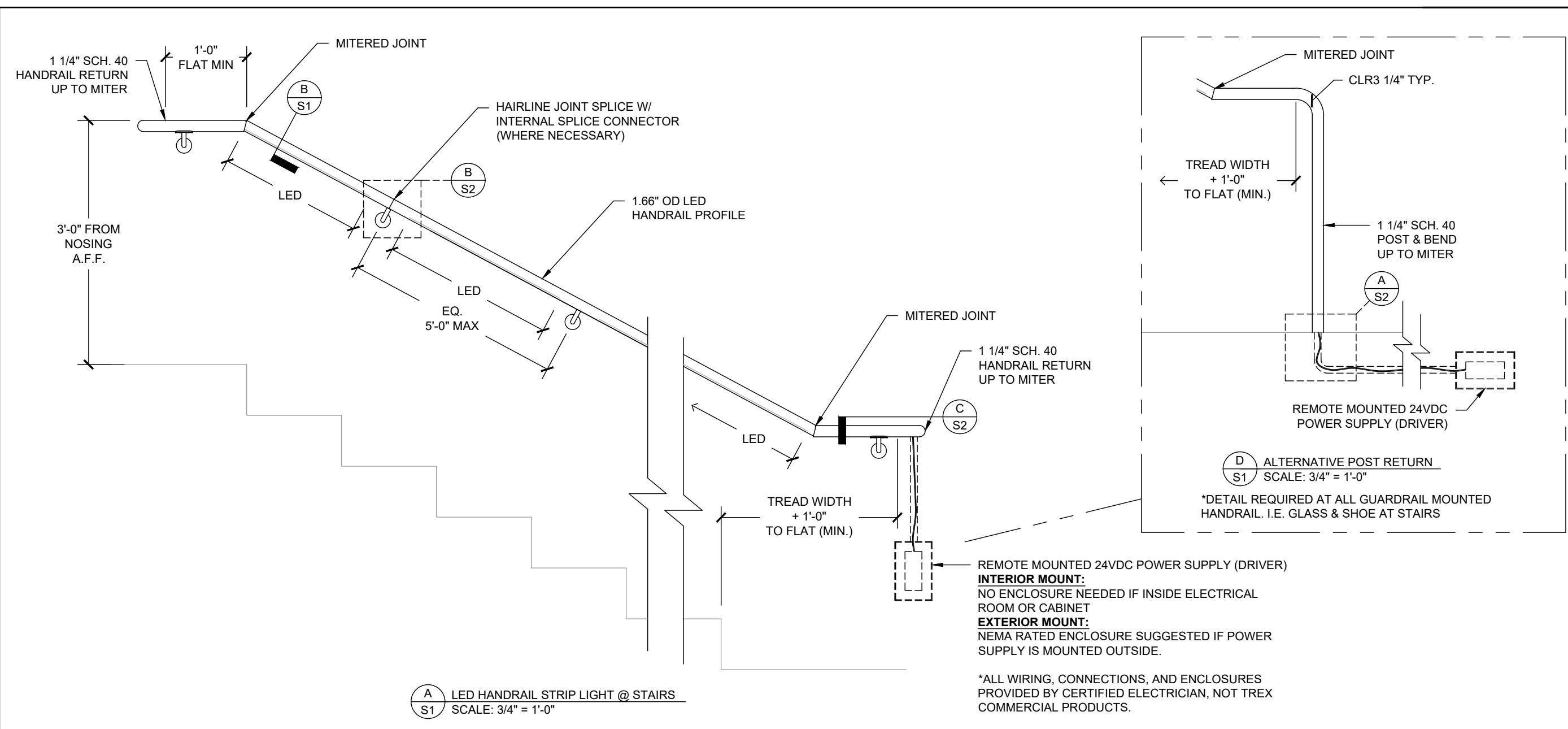
7008 NORTHLAND DR., SUITE 150  
MINNEAPOLIS, MN 55428  
PH: (763) 533-2094

THIS DRAWING IS THE PROPERTY OF  
TREX COMMERCIAL PRODUCTS, INC.  
NEITHER THE DRAWING NOR ITEMS  
THEREON ARE TO BE REPRODUCED  
OR USED IN ANY MANNER NOT  
AUTHORIZED BY TREX COMMERCIAL  
PRODUCTS, INC. IN WRITING.

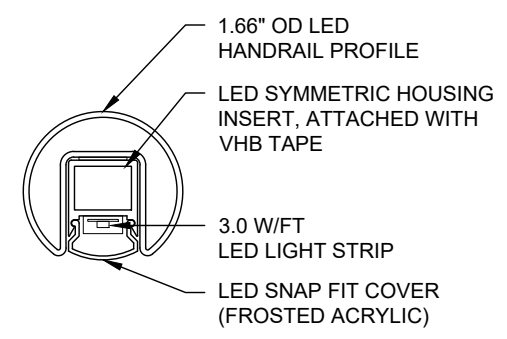
**PROJECT INFORMATION**

PROJECT:  
TREX LED HANDRAIL  
SALES DRAWING  
LOCATION:  
MINNEAPOLIS, MN

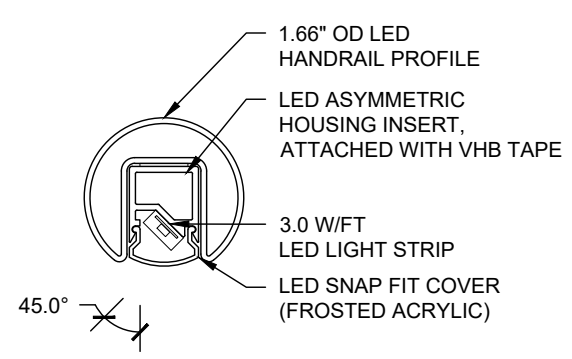
**TREX LED HANDRAIL - STRIP LIGHT  
TYPICAL WALL MOUNT RAIL DETAILS**



**A** LED HANDRAIL STRIP LIGHT @ STAIRS  
SCALE: 3/4" = 1'-0"



**B1** LED STRIP LIGHT SECTION - SYMMETRIC  
SCALE: 6"=1'-0"



**B2** LED STRIP LIGHT SECTION - ASYMMETRIC  
SCALE: 6"=1'-0"

**LED STRIP LIGHT SPECS**

POWER CONSUMPTION: 3.0 WATTS/FT  
 INPUT VOLTAGE: 24VDC  
 MAX. FLUX: 210 LUMENS/FT  
 COLOR: WARM WHITE - 3000K  
 BEAM ANGLE: 110° (SYMMETRIC)  
 55° (ASYMMETRIC) 45° NADIR

LED QTY: 75 LEDs/FT  
 DIMMABLE: YES (0-10V)  
 CRI: 95+  
 LIFESPAN: UP TO 70,000 HRS (LM70)  
 SUITABLE USES: IP 67 (DRY OR WET LOCATIONS)  
 CERTIFICATIONS: UL, cUL, RoHS  
 WARRANTY: 5 YEARS

**POWER SUPPLY (DRIVER) SPECS**

INPUT VOLTAGE: 110-277VAC  
 INPUT Hz: 50-60 Hz  
 OUTPUT VOLTAGE: 24VDC  
 OUTPUT WATTS (MAX): 96 WATTS (or) 2x 96 WATTS  
 OUTPUT WATTS (80%): 76 WATTS  
 OUTPUT CURRENT: 4 AMPS  
 DIMMABLE: YES (0-10V)  
 OPERATING TEMPS:-40 TO 140 DEGREES  
 CLASS RATING: CLASS 2  
 INTEGRATED WIRE COMPARTMENT  
 SUITABLE USES: IP 67 (DRY OR WET LOCATIONS)  
 CERTIFICATIONS: UL, RoHS  
 WARRANTY: 5 YEARS

\*DIMENSIONS AND SPECIFICATIONS LISTED ARE FOR TREX COMMERCIAL PRODUCTS STANDARD LED HANDRAIL. SEE SALES SHEET FOR OTHER AVAILABLE OPTIONS.

ELECTRICAL COMPONENTS MANUFACTURED BY Q-TRAN INC.

ITEM	DESCRIPTION	AUTH	DATE

DRAWN BY NBB	DATE 3/27/20
PROJECT NUMBER SALES	
SHEET NUMBER TC-LED-STRIP-WMHR-S1	



**COMMERCIAL PRODUCTS**

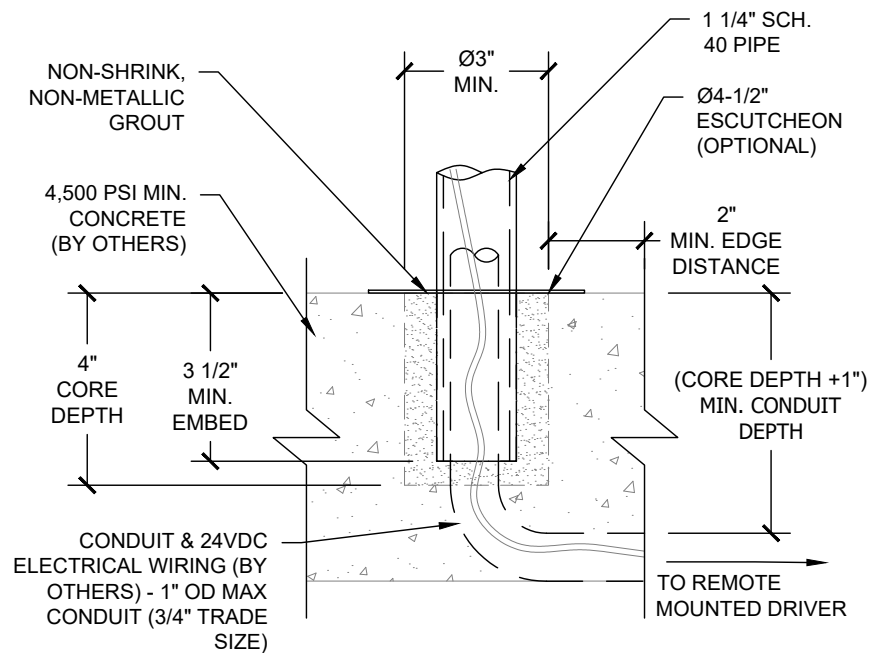
7008 NORTHLAND DR., SUITE 150  
MINNEAPOLIS, MN 55428  
PH: (763) 533-2094

THIS DRAWING IS THE PROPERTY OF TREX COMMERCIAL PRODUCTS, INC. NEITHER THE DRAWING NOR ITEMS THEREON ARE TO BE REPRODUCED OR USED IN ANY MANNER NOT AUTHORIZED BY TREX COMMERCIAL PRODUCTS, INC. IN WRITING.

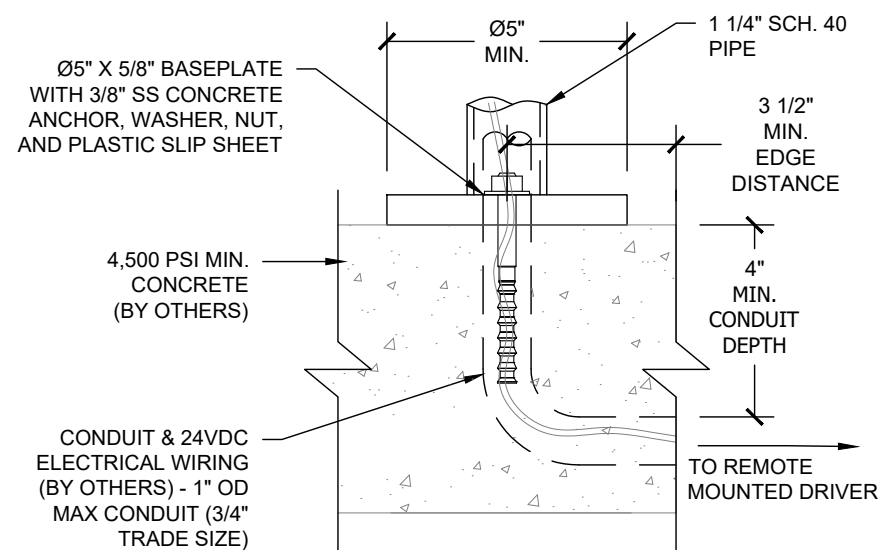
**PROJECT INFORMATION**

PROJECT:  
TREX LED HANDRAIL  
SALES DRAWING  
LOCATION:  
MINNEAPOLIS, MN

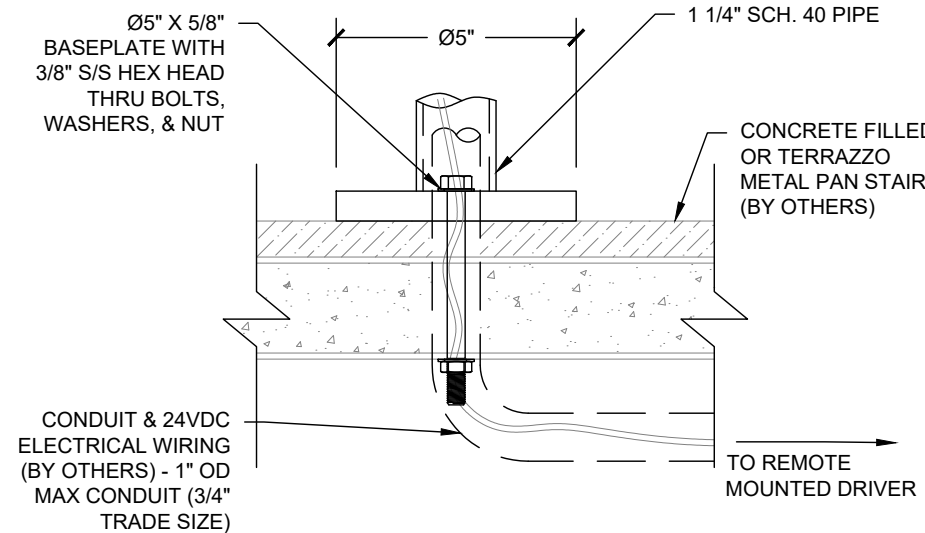
**TREX LED HANDRAIL - STRIP LIGHT  
TYPICAL WALL MOUNT RAIL DETAILS**



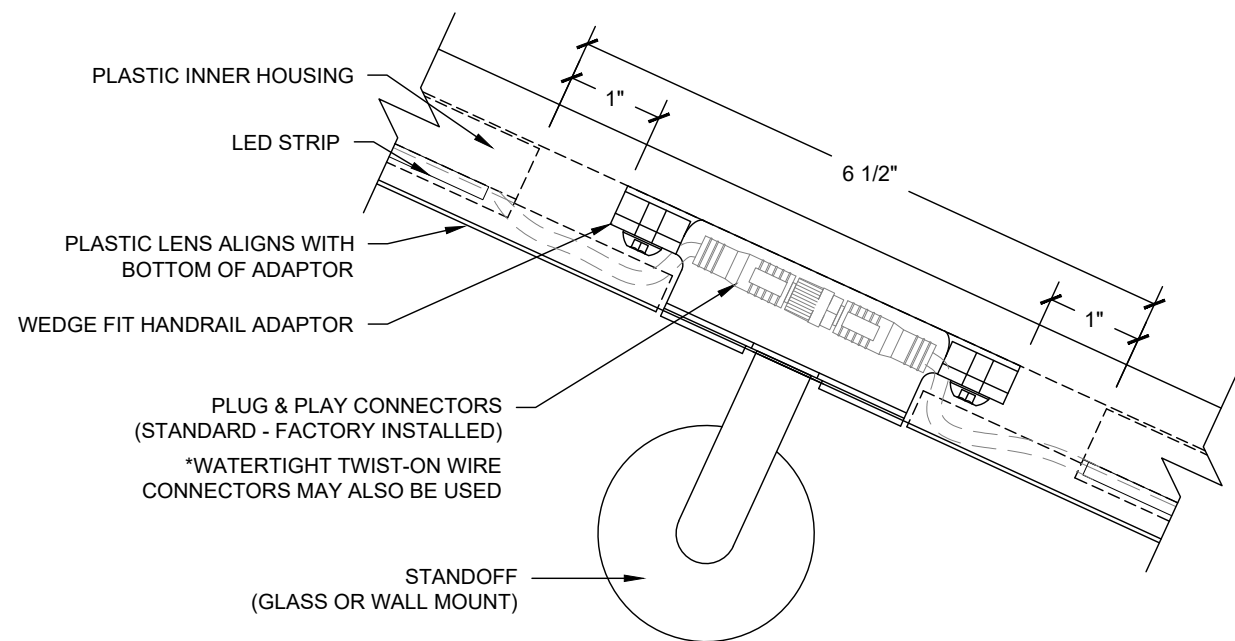
**A1** LED HANDRAIL CORE CONNECTION DETAIL  
**S2** SCALE:



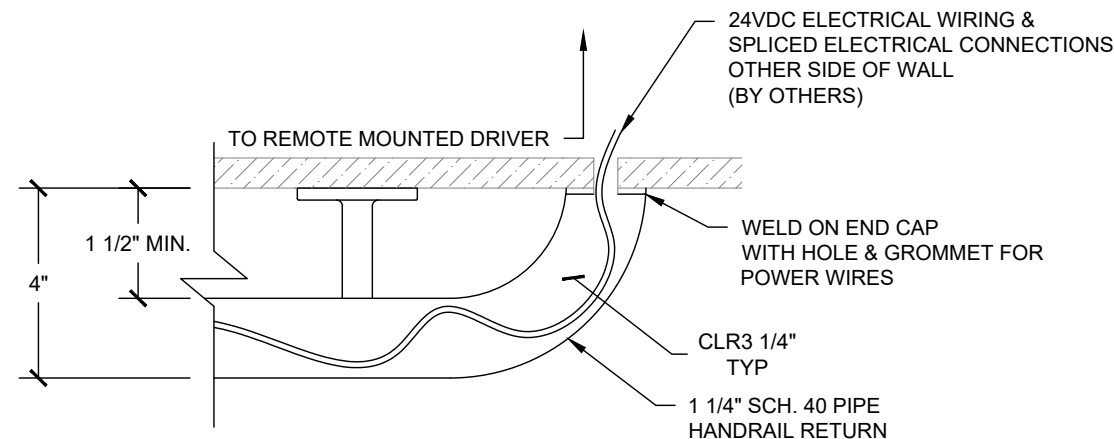
**A2** LED HANDRAIL BASEPLATE CONNECTION DETAIL  
**S2** SCALE: 3"=1'-0"



**A3** LED HANDRAIL BASEPLATE CONNECTION DETAIL  
**S2** SCALE: 3"=1'-0"



**B** LED STANDOFF BRACKET DETAIL  
**S2** SCALE: 6"=1'-0"



**C** LED HANDRAIL WALL CONNECTION DETAIL  
**S2** SCALE: 3"=1'-0"

\*DIMENSIONS AND SPECIFICATIONS LISTED ARE FOR TREX COMMERCIAL PRODUCTS STANDARD LED HANDRAIL. SEE SALES SHEET FOR OTHER AVAILABLE OPTIONS.

ITEM	DESCRIPTION	AUTH	DATE

DRAWN BY NBB	DATE 3/27/20
PROJECT NUMBER SALES	
SHEET NUMBER TC-LED-STRIP-WMHR-S2	