



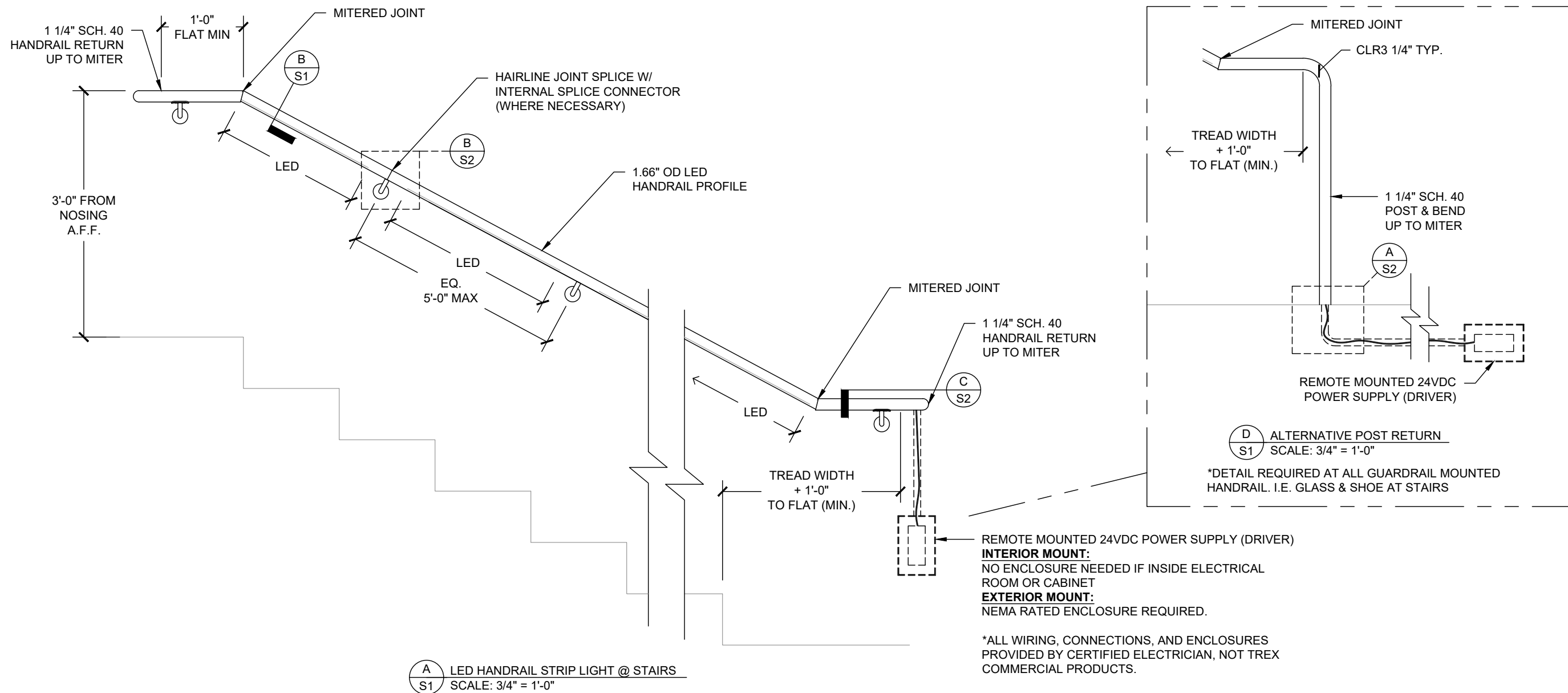
COMMERCIAL PRODUCTS

7008 NORTHLAND DR., SUITE 150
MINNEAPOLIS, MN 55428
PH: (763) 533-2094

THIS DRAWING IS THE PROPERTY OF
TREX COMMERCIAL PRODUCTS, INC.
NEITHER THE DRAWING NOR ITEMS
THEREON ARE TO BE REPRODUCED
OR USED IN ANY MANNER NOT
AUTHORIZED BY TREX COMMERCIAL
PRODUCTS, INC. IN WRITING.

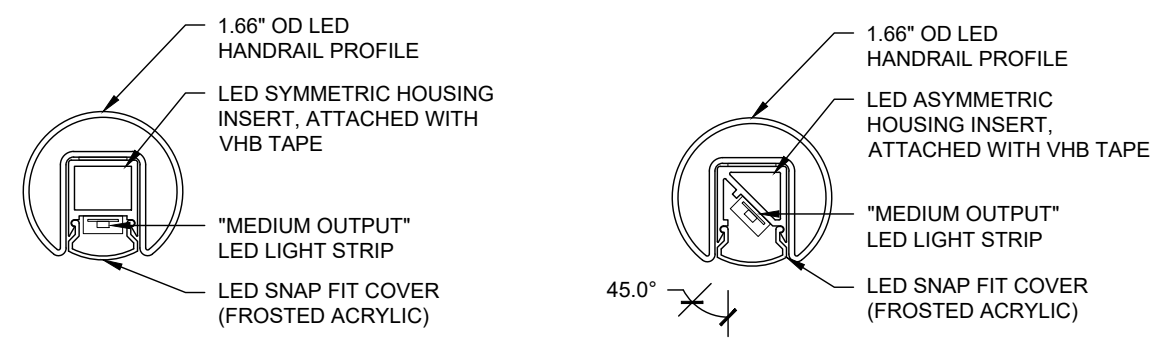
PROJECT INFORMATION

PROJECT:
TREX LED HANDRAIL
SALES DRAWING
LOCATION:
MINNEAPOLIS, MN



TREX LED HANDRAIL - STRIP LIGHT
TYPICAL WALL MOUNT RAIL DETAILS

LED STRIP LIGHT SPECS	POWER SUPPLY (DRIVER) SPECS
AL-SL-NW-U MEDIUM OUTPUT INPUT VOLTAGE: 24VDC POWER CONSUMPTION: 2.92 WATTS/FT MAX. FLUX: 232 LUMENS/FT COLOR: WARM WHITE - 3000K BEAM ANGLE: 120° (SYMMETRIC) 60° (ASYMMETRIC) LED QTY: 36 LEDS/FT DIMMABLE: YES (0-10V) CRI: 88+ LIFESPAN: UP TO 50,000 HRS SUITABLE USES: IP 68 (DRY OR WET LOCATIONS) CERTIFICATIONS: UL, cUL, RoHS	AL-PS-D-TR-SL-96 INPUT VOLTAGE: 110-277VAC INPUT Hz: 50-60 Hz OUTPUT VOLTAGE: 24VDC OUTPUT WATTS (MAX): 96 WATTS OUTPUT WATTS (80%): 76 WATTS OUTPUT CURRENT: 4 AMPS DIMMABLE: YES (0-10V) OPERATING TEMPS:-40 TO 120 DEGREES CLASS RATING: CLASS II HOUSING MATERIAL: ALUMINUM WEIGHT 1.3 LBS SUITABLE USES: IP 67 (DRY OR WET LOCATIONS) CERTIFICATIONS: UL, RoHS



*DIMENSIONS AND SPECIFICATIONS LISTED ARE FOR TREX COMMERCIAL PRODUCTS STANDARD LED HANDRAIL. SEE SALES SHEET FOR OTHER AVAILABLE OPTIONS.

ITEM	DESCRIPTION	AUTH	DATE

DRAWN BY NBB	DATE 3/27/20
PROJECT NUMBER SALES	
SHEET NUMBER TC-LED-STRIP-WMHR-S1	



COMMERCIAL PRODUCTS

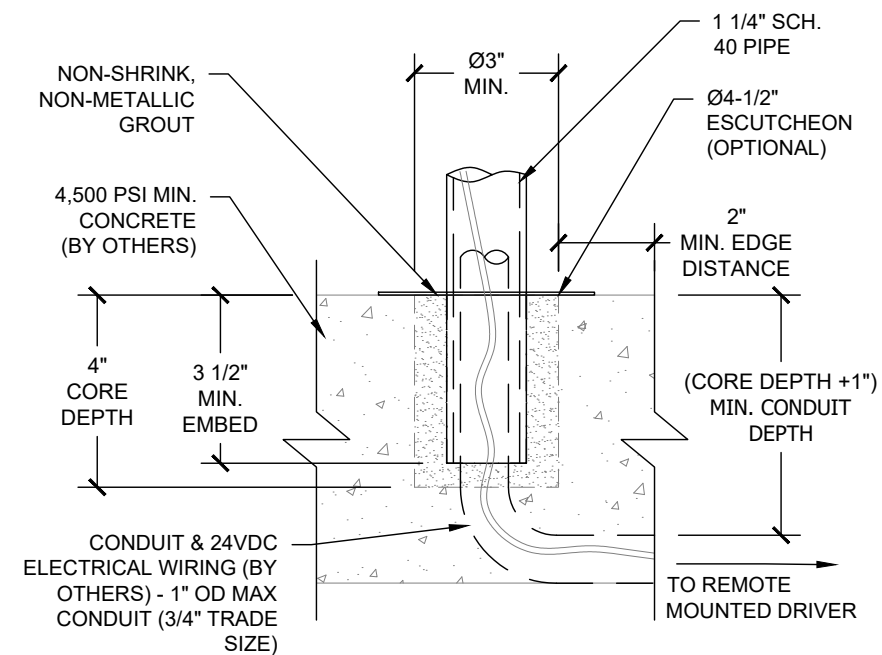
7008 NORTHLAND DR., SUITE 150
MINNEAPOLIS, MN 55428
PH: (763) 533-2094

THIS DRAWING IS THE PROPERTY OF TREX COMMERCIAL PRODUCTS, INC. NEITHER THE DRAWING NOR ITEMS THEREON ARE TO BE REPRODUCED OR USED IN ANY MANNER NOT AUTHORIZED BY TREX COMMERCIAL PRODUCTS, INC. IN WRITING.

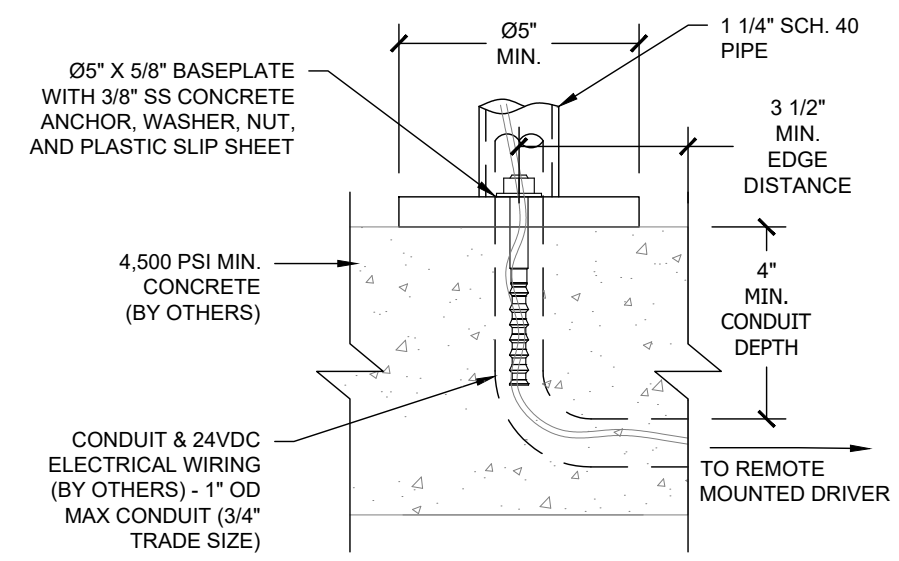
PROJECT INFORMATION

PROJECT:
TREX LED HANDRAIL
SALES DRAWING
LOCATION:
MINNEAPOLIS, MN

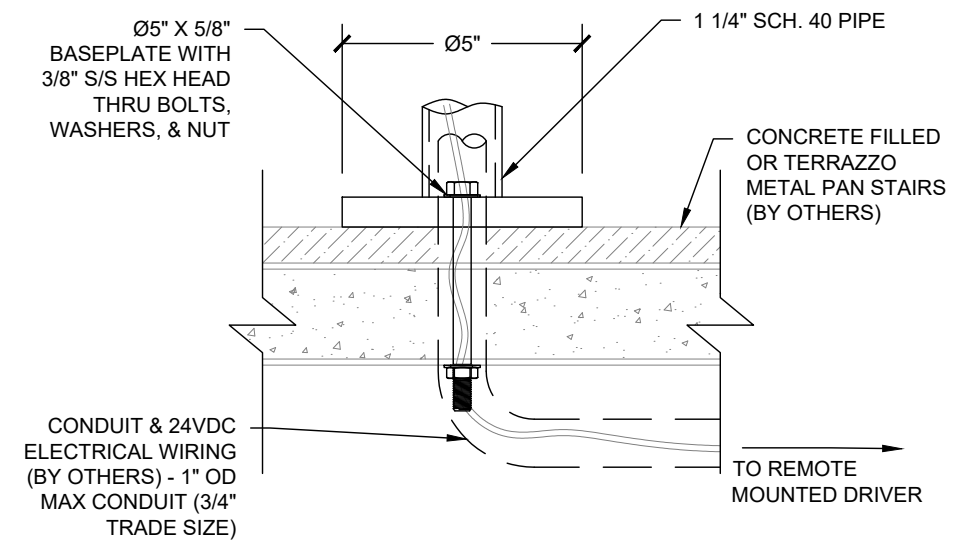
**TREX LED HANDRAIL - STRIP LIGHT
TYPICAL WALL MOUNT RAIL DETAILS**



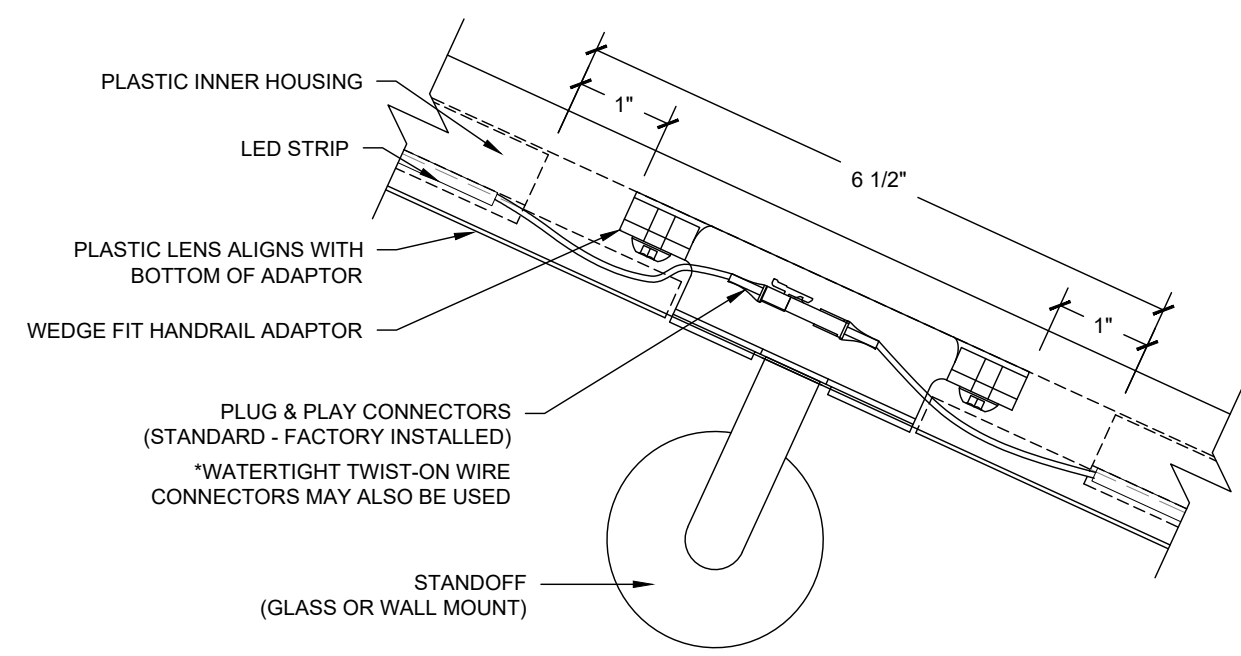
A1 LED HANDRAIL CORE CONNECTION DETAIL
S2 SCALE:



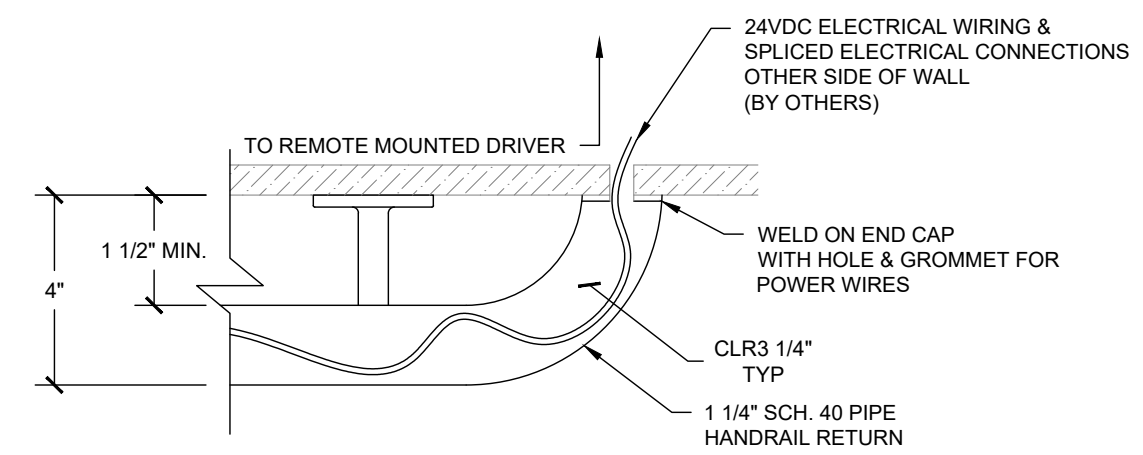
A2 LED HANDRAIL BASEPLATE CONNECTION DETAIL
S2 SCALE: 3"=1'-0"



A3 LED HANDRAIL BASEPLATE CONNECTION DETAIL
S2 SCALE: 3"=1'-0"



B LED STANDOFF BRACKET DETAIL
S2 SCALE: 6"=1'-0"



C LED HANDRAIL WALL CONNECTION DETAIL
S2 SCALE: 3"=1'-0"

*DIMENSIONS AND SPECIFICATIONS LISTED ARE FOR TREX COMMERCIAL PRODUCTS STANDARD LED HANDRAIL. SEE SALES SHEET FOR OTHER AVAILABLE OPTIONS.

ITEM	DESCRIPTION	AUTH	DATE

DRAWN BY NBB	DATE 3/27/20
PROJECT NUMBER SALES	
SHEET NUMBER TC-LED-STRIP-WMHR-S2	