

# LED Railing System



## LED Strip Light Installation Instructions

COMMERCIAL  
PRODUCTS

### LIGHTING SAFETY INSTRUCTIONS:

READ THE INSTALLATION INSTRUCTIONS IN THEIR ENTIRETY BEFORE INSTALLING. IT IS IMPORTANT TO LEAVE THESE INSTRUCTIONS WITH THE OWNER OR FACILITY MANAGER OF THE BUILDING FOR FUTURE REFERENCE.

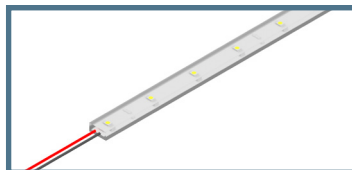
- CAUTION: Installation must be performed by a licensed electrician and all wiring must conform to local, state and national electrical codes.
- LED driver: 24VDC, Class 2, configured in a listed system of components.
- Mount remote driver(s) in an electrical room or NEMA rated enclosure.
- Systems may be used in a wet location with a suitably rated enclosure and connections.
- All electrical components must be grounded and connected to GFCI per local codes and/or the NEC.
- This product must be installed in a manner consistent with its intended use.
- For trouble-shooting, installation questions and replacement component orders, contact Trex Commercial Products at 877-215-7245 or [info@trexcommercial.com](mailto:info@trexcommercial.com)

### RAILING SAFETY INSTRUCTIONS:

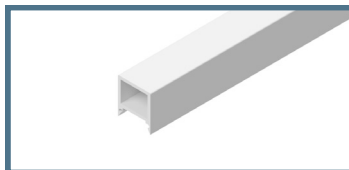
TREX COMMERCIAL PRODUCTS ARCHITECTURAL SYSTEMS ARE ENGINEERED TO MEET IBC, ADA AND NFPA WHEN PROPERLY INSTALLED.

- Check and confirm all local railing code requirements..
- CAUTION: It is highly recommended that a professional railing installer be used for ANY rail system, illuminated or not.
- Please contact the factory for field installations: 877-215-7245 or email us: [info@trexcommercial.com](mailto:info@trexcommercial.com)

### SUPPLIED PARTS:



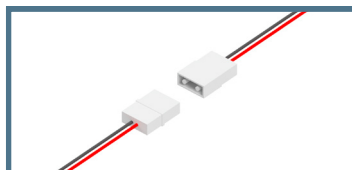
Strip Light



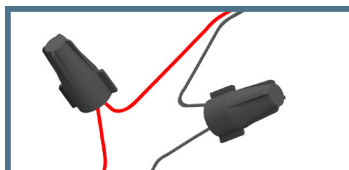
Internal Plastic Housing



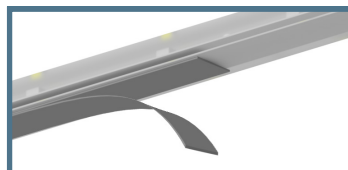
Snap Fit Lens



Molex Connectors



Wet Location Rated Wire Nuts



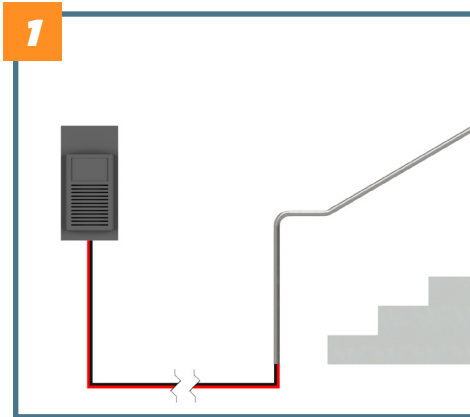
Double Sided Foam Adhesive Tape

**WARNING:** TO REDUCE RISK OF ELECTRIC SHOCK, TURN OFF THE ELECTRICAL SUPPLY BEFORE INSTALLING OR SERVICING THE LIGHT FIXTURES AND DRIVER. FAILURE TO DO SO MAY RESULT IN SERIOUS INJURY AND/OR DAMAGE TO THE COMPONENTS.

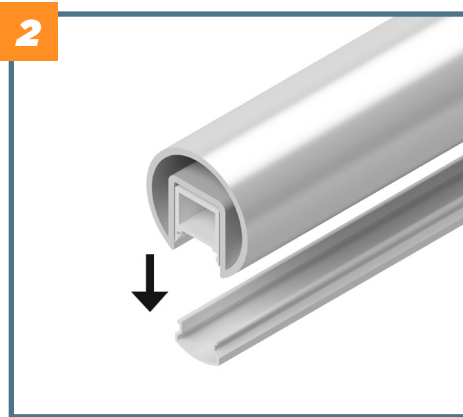
# LED Railing System

## LED Strip Light Installation

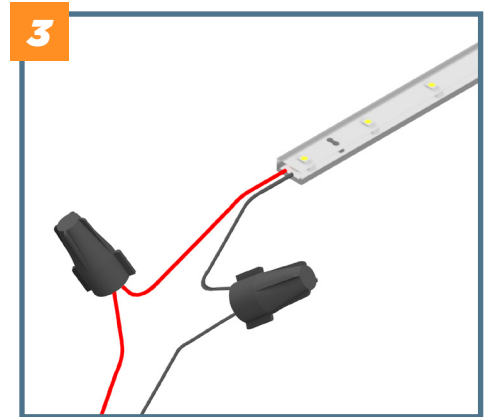
To reduce risk of electric shock, turn off the electrical supply before installing or servicing



**1** Run 24VDC positive and negative wires (by others) from remote mounted power supply to handrail location and first light strip. Refer to the table below for wire gauge/distance recommendations.



**2** Remove Snap fit lens. Set aside.



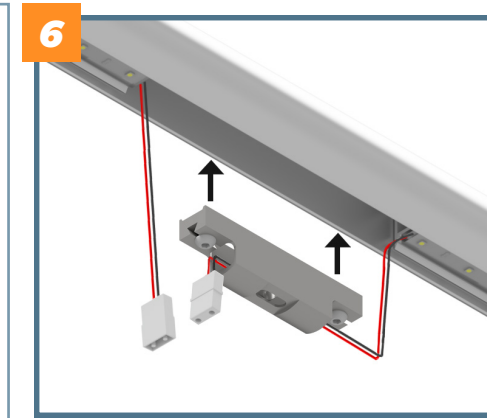
**3** Locate the first fixture to be connected to the main 24VDC power supply. Use the provided silicone field wire nuts to connect the positive (+) 24VDC (red) leads & negative (-) 24VDC (black or white) together. Ensure the polarity of the connectors is maintained through the installation.



**4** Peel the protective cover off the light strip adhesive backing.



**5** Press fit the light strip onto the plastic internal housing. Ensure light is center on the notch in the housing as well as between the ends of the housing.



**6** Locate all the gaps in the internal plastic housing. Feed one side of the connector/wires thru the gaps of the adapter bracket to align with the adjacent LED strip connector/wires.

**\*Adapter bracket attached to standoff or post before this step. Standoff/post not shown for clarity.**

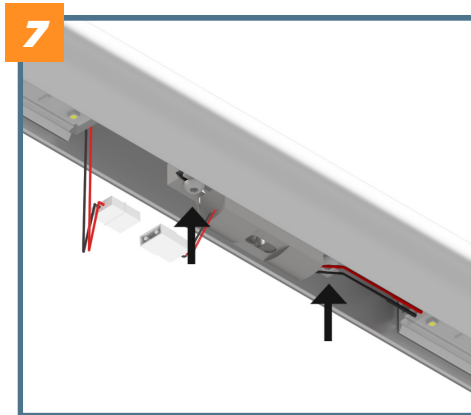
**Steps 4 & 5 only required for conditions when LED strip light is shipped separately from railing. For conditions where LED strip light is factory installed skip to step 6.**



# LED Railing System

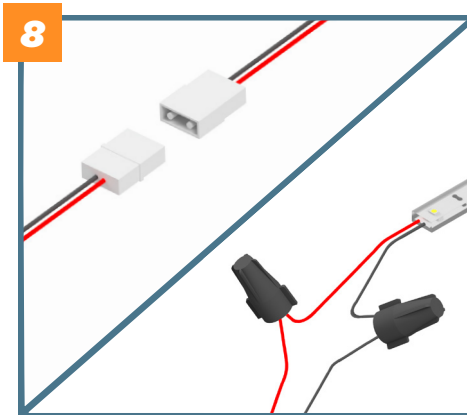
## LED Strip Light Installation

To reduce risk of electric shock, turn off the electrical supply before installing or servicing

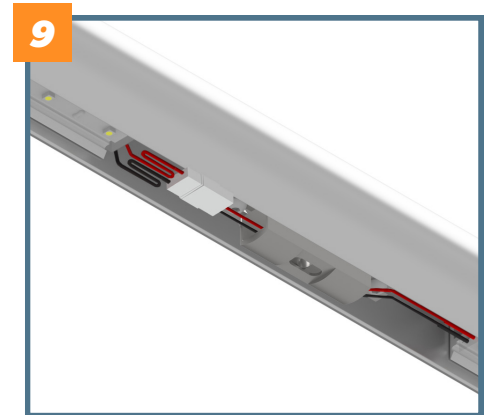


Press the standoff adapter brackets into the handrail. Tighten screws with an allen wrench.

\* Standoff/post not shown for clarity.

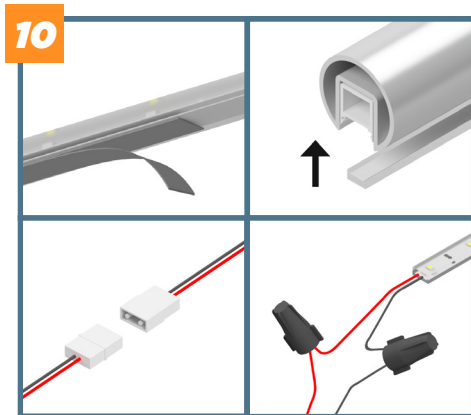


For the remaining strips: If supplied with molexconnectors - connect the male end to the female end of adjacent strips at rail splice locations. If supplied with bare wire leads - use the provided silicone field wire nuts to connect the positive (+) 24VDC (red) leads & negative (-) 24VDC (black or white) together. Ensure the polarity of the connectors is maintained throughout the installation.

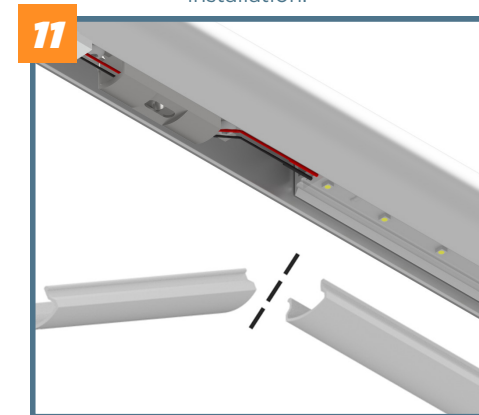


After system is tested, tuck all connectors and wires into rail channel and bracket adapter.

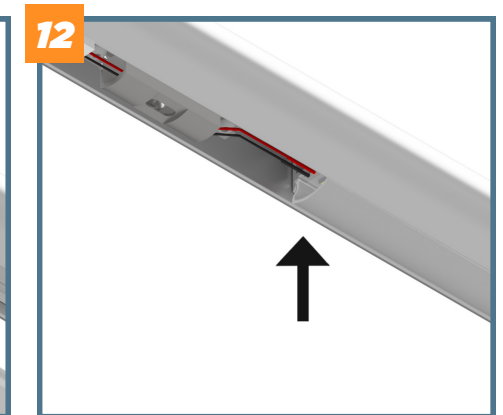
\* Standoff/post not shown for clarity.



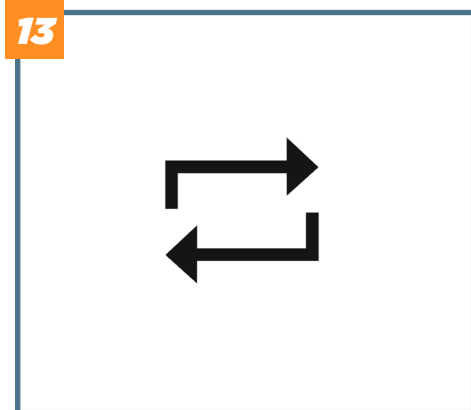
Repeat steps 4-9 for all connector locations.



Measure and cut plastic lens to fit between standoff brackets.



Snap lenses onto internal housing. Note: Cut back internal plastic housing as needed to ensure all connectors fit within lens.



Repeat all processes for all handrail locations.

3

MAXIMUM REMOTE DISTANCE - 100W / 24VDC DRIVER					
76W Max Load	10 AWG	12 AWG	14 AWG	16 AWG	18 AWG
1.5W/ft-LOW - 33'	112'	70'	45'	28'	17'
2.9W/ft-MID - 26'	112'	70'	45'	28'	17'
4.4W/ft-HIGH - 17'	112'	70'	45'	28'	17'

Actual distance may vary depending on the total load. Verify all distance calculations with overall design of system. Conductor supply and gauge specification by others.



COMMERCIAL  
PRODUCTS