



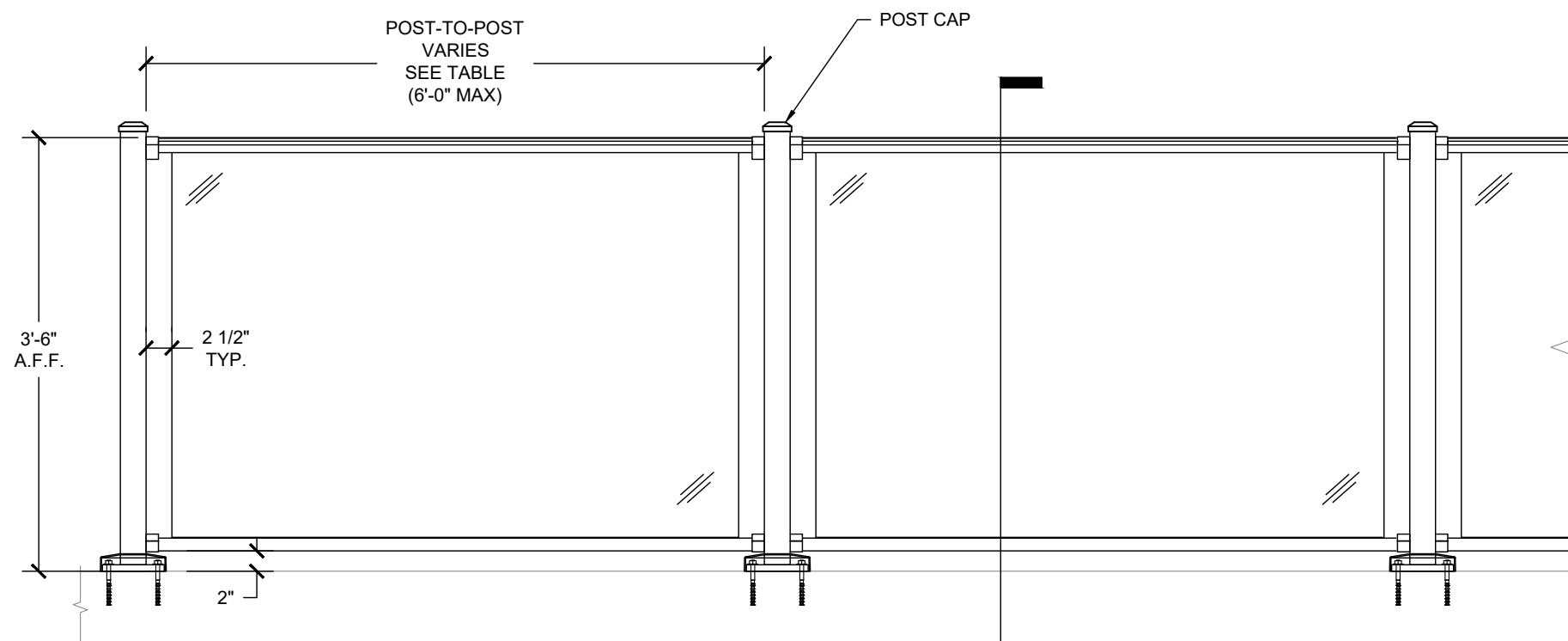
**COMMERCIAL PRODUCTS**

7008 NORTHLAND DR., SUITE 150  
MINNEAPOLIS, MN 55428  
PH: (763) 533-2094

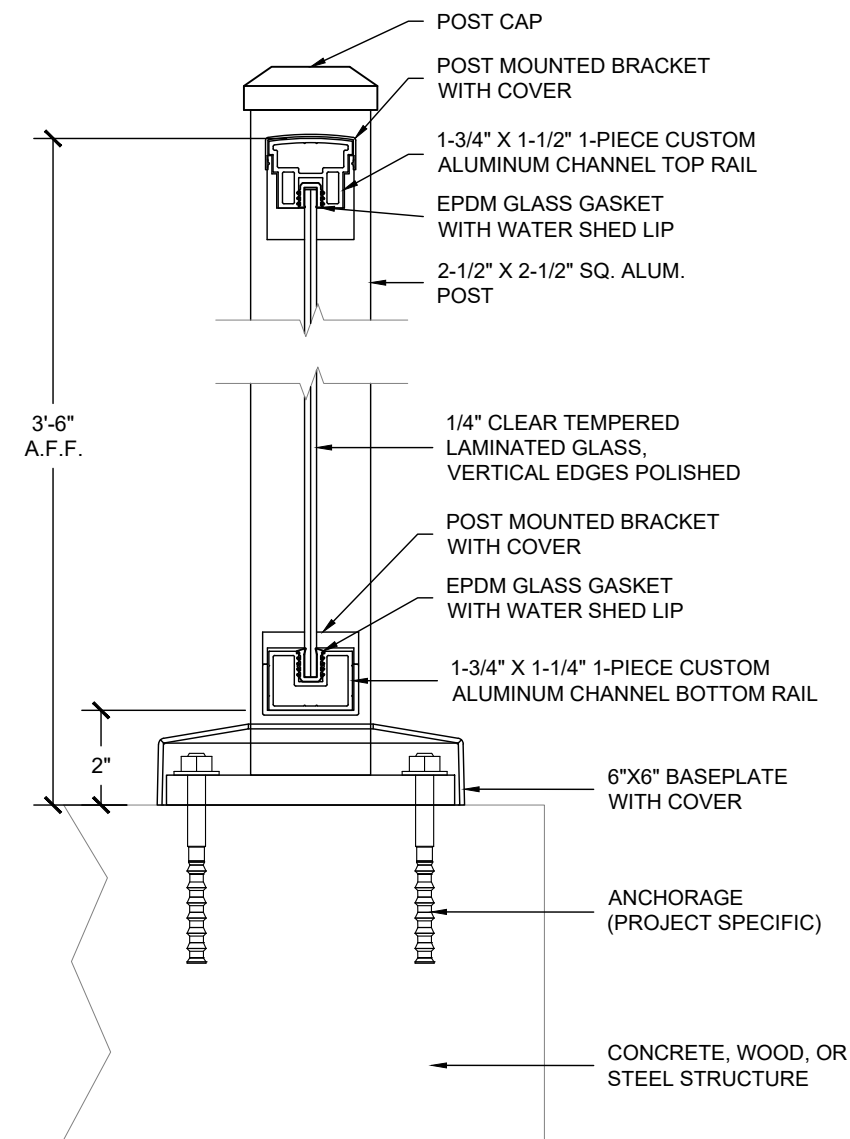
THIS DRAWING IS THE PROPERTY OF TREX COMMERCIAL PRODUCTS, INC. NEITHER THE DRAWING NOR ITEMS THEREON ARE TO BE REPRODUCED OR USED IN ANY MANNER NOT AUTHORIZED BY TREX COMMERCIAL PRODUCTS, INC. IN WRITING.

**PROJECT INFORMATION**

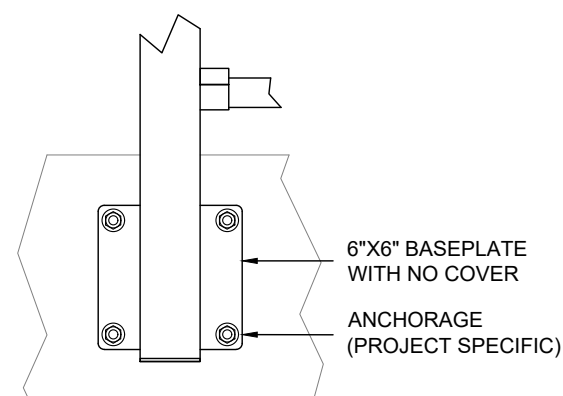
PROJECT:  
TREX SIGNATURE - PANEL RAIL  
GLASS SALES DRAWING  
LOCATION:  
MINNEAPOLIS, MN



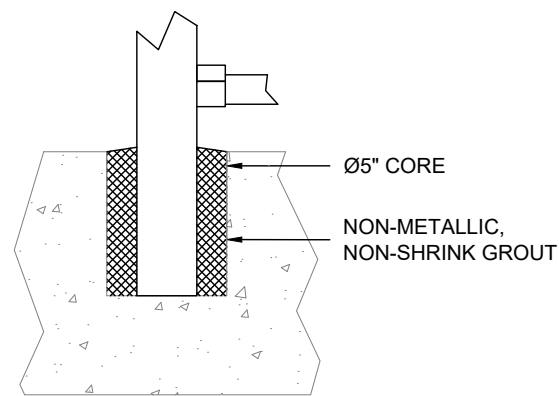
**A**  
S1 ELEVATION VIEW - 2-LINE GLASS PANEL - OVERLOOK  
3/4" = 1'-0"



**B**  
S1 SECTION VIEW - 2-LINE GLASS PANEL - OVERLOOK  
3" = 1'-0"



**C**  
S1 DETAIL VIEW - ALTERNATIVE FACE MOUNT  
1 1/2" = 1'-0"



**D**  
S1 DETAIL VIEW - ALTERNATIVE CORE MOUNT  
1 1/2" = 1'-0"

**TABLE 1 - MAXIMUM WIND LOADS**

POST SPACING	WIND LOAD	
	2-1/2" x 2-1/2" x 1/8" ALUM. POST	2-1/2" x 2-1/2" x 3/16" ALUM. POST
4'	36 (psf)	40 (psf)
6'	24 (psf)	37 (psf)

\*TREX SIGNATURE GLASS PANEL KITS ONLY COME IN 6' LENGTHS.

DRAWN BY  
NBB DATE  
10/21/19  
PROJECT NUMBER  
SALES  
SHEET NUMBER  
TC-SIG-PANEL-GLS-S1

ITEM	DESCRIPTION	AUTH	DATE

TREX SIGNATURE RAIL - GLASS PANEL  
2-LINE GUARDRAIL - OVERLOOK



**COMMERCIAL PRODUCTS**

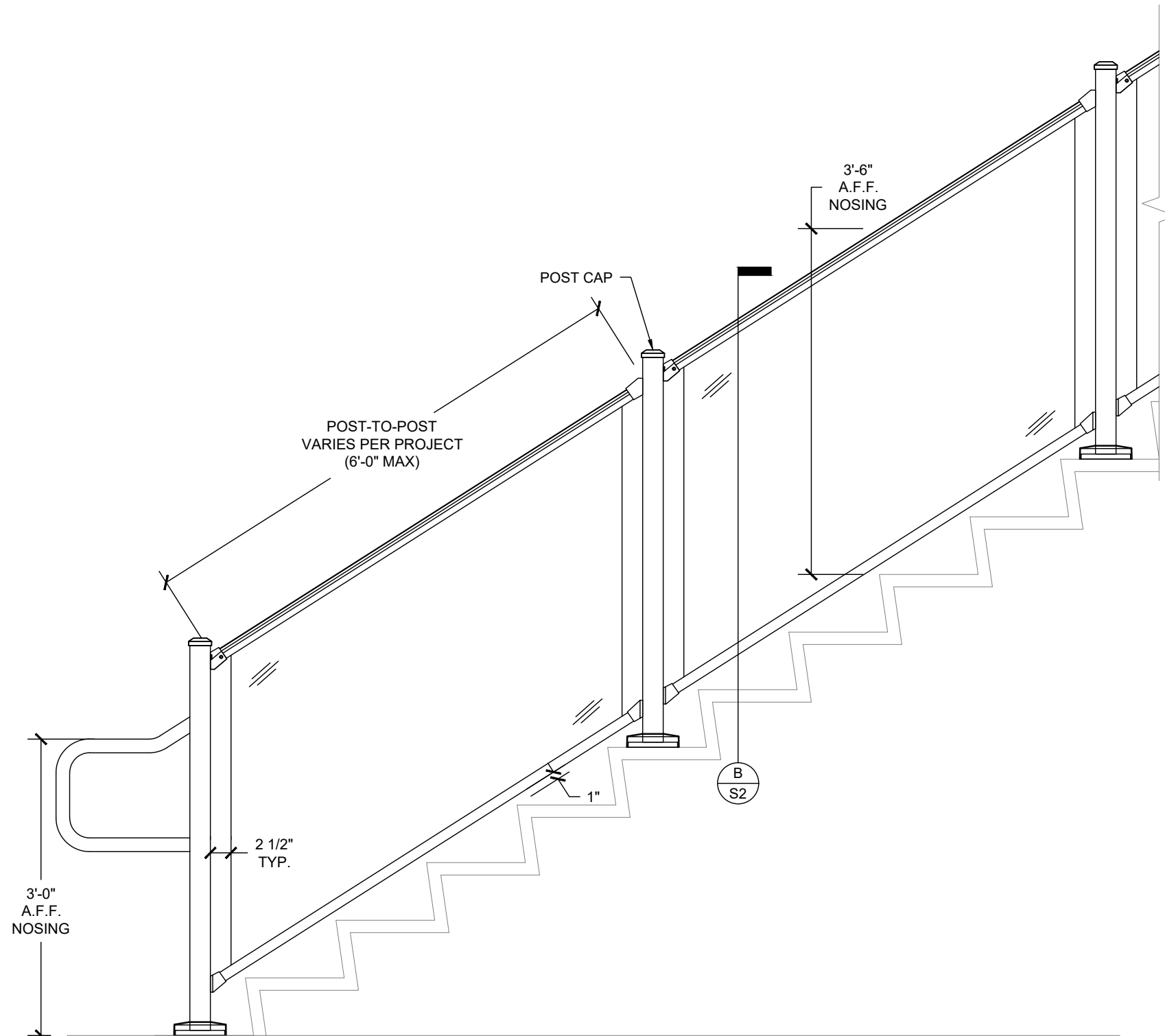
7008 NORTHLAND DR., SUITE 150  
MINNEAPOLIS, MN 55428  
PH: (763) 533-2094

THIS DRAWING IS THE PROPERTY OF TREX COMMERCIAL PRODUCTS, INC. NEITHER THE DRAWING NOR ITEMS THEREON ARE TO BE REPRODUCED OR USED IN ANY MANNER NOT AUTHORIZED BY TREX COMMERCIAL PRODUCTS, INC. IN WRITING.

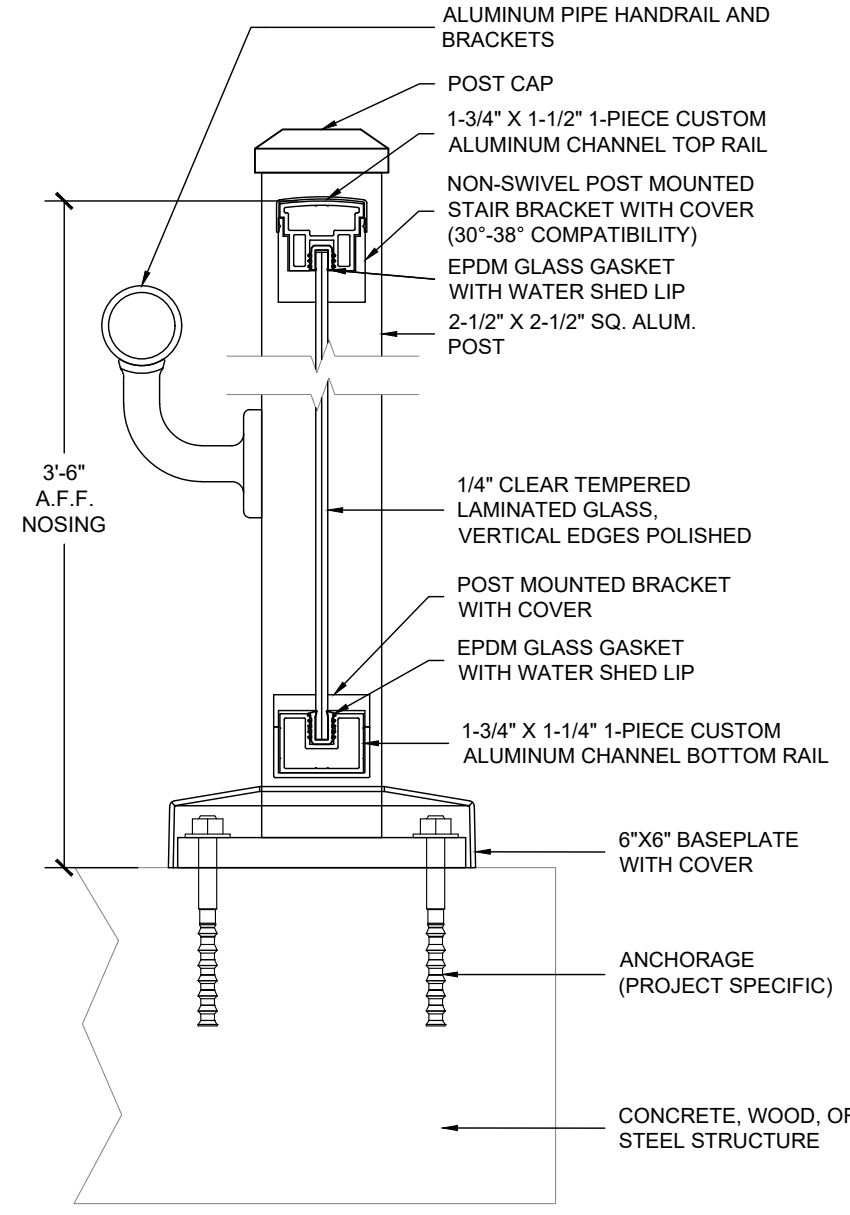
**PROJECT INFORMATION**

PROJECT:  
TREX SIGNATURE - PANEL RAIL  
GLASS SALES DRAWING  
LOCATION:  
MINNEAPOLIS, MN

**TREX SIGNATURE RAIL - GLASS PANEL  
2-LINE GUARDRAIL - STAIRS**



**A**  
S2 ELEVATION VIEW - 2-LINE GLASS PANEL - STAIR  
3/4" = 1'-0"



**B**  
S2 SECTION VIEW - 2-LINE GLASS PANEL - STAIR  
3" = 1'-0"

POST SPACING	WIND LOAD	
	2-1/2" x 2-1/2" x 1/8" ALUM. POST	2-1/2" x 2-1/2" x 3/16" ALUM. POST
4'	36 (psf)	40 (psf)
6'	24 (psf)	37 (psf)

\*TREX SIGNATURE GLASS PANEL KITS ONLY COME IN 6' LENGTHS.

ITEM	DESCRIPTION	AUTH	DATE

DRAWN BY  
NBB  
DATE  
10/21/19  
PROJECT NUMBER  
SALES  
SHEET NUMBER  
TC-SIG-PANEL-GLS-S2



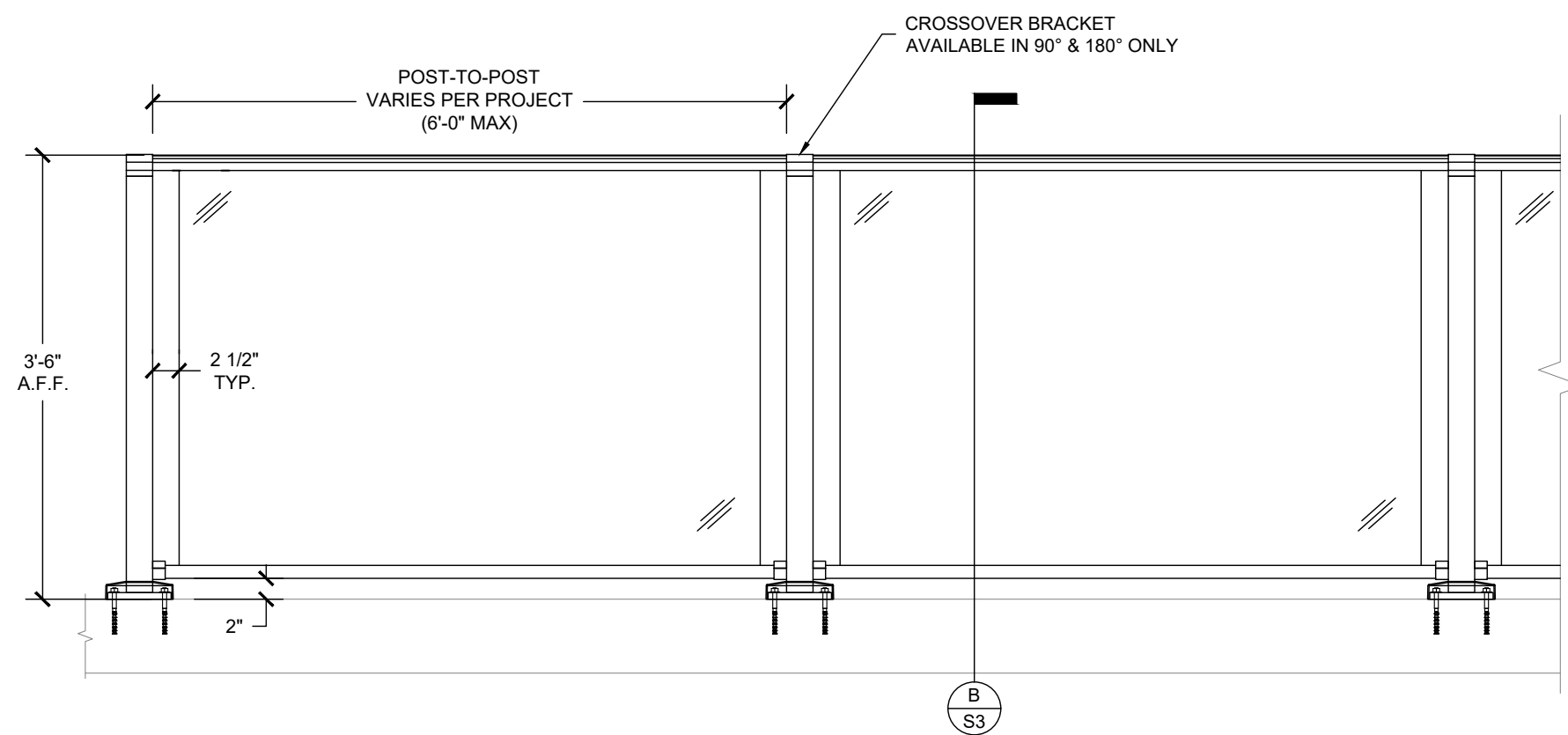
**COMMERCIAL PRODUCTS**

7008 NORTHLAND DR., SUITE 150  
MINNEAPOLIS, MN 55428  
PH: (763) 533-2094

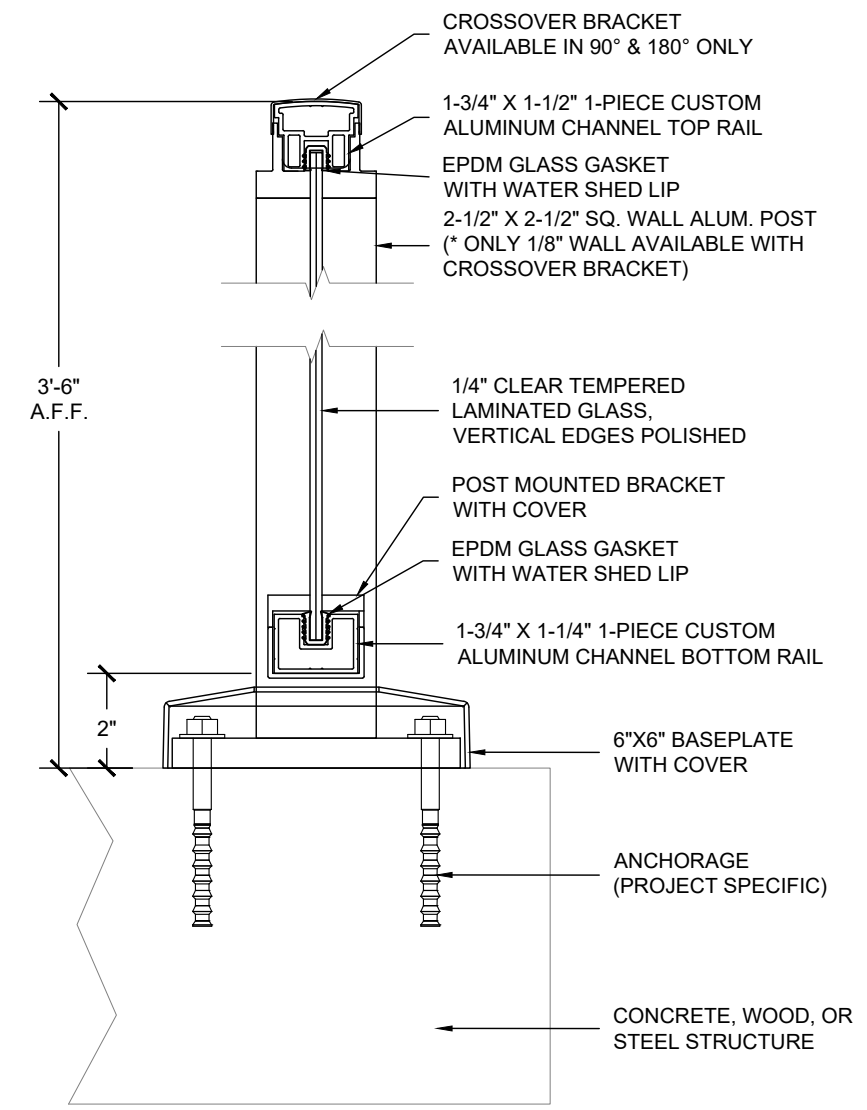
THIS DRAWING IS THE PROPERTY OF TREX COMMERCIAL PRODUCTS, INC. NEITHER THE DRAWING NOR ITEMS THEREON ARE TO BE REPRODUCED OR USED IN ANY MANNER NOT AUTHORIZED BY TREX COMMERCIAL PRODUCTS, INC. IN WRITING.

**PROJECT INFORMATION**

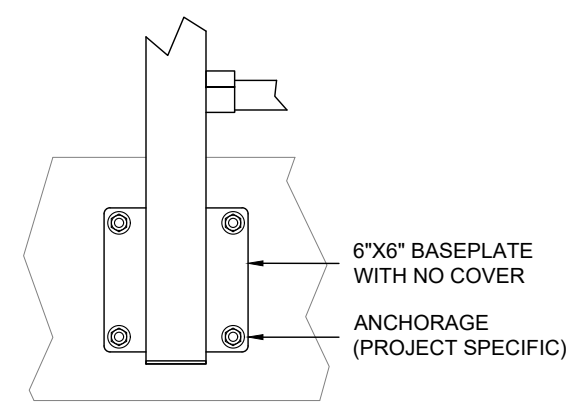
PROJECT:  
TREX SIGNATURE - PANEL RAIL  
GLASS SALES DRAWING  
LOCATION:  
MINNEAPOLIS, MN



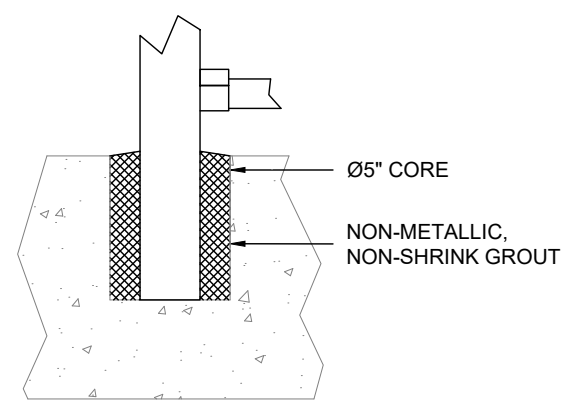
**A** ELEVATION VIEW - 2-LINE GLASS CROSSOVER - OVERLOOK  
3/4" = 1'-0"



**B** SECTION VIEW - 2-LINE GLASS CROSSOVER - OVERLOOK  
3" = 1'-0"



**C** DETAIL VIEW - ALTERNATIVE FACE MOUNT  
1 1/2" = 1'-0"



**D** DETAIL VIEW - ALTERNATIVE CORE MOUNT  
1 1/2" = 1'-0"

TABLE 3 - MAXIMUM WIND LOADS	
POST SPACING	WIND LOAD
	2-1/2" x 2-1/2" x 1/8" ALUM. POST
4'	36 (psf)
6'	24 (psf)

\*TREX SIGNATURE GLASS PANEL KITS ONLY COME IN 6' LENGTHS.

TREX SIGNATURE RAIL - GLASS PANEL  
2-LINE CROSSOVER - OVERLOOK

DRAWN BY NBB	DATE 10/21/19
PROJECT NUMBER SALES	
SHEET NUMBER TC-SIG-PANEL-GLS-S3	

ITEM	DESCRIPTION	AUTH	DATE



**COMMERCIAL PRODUCTS**

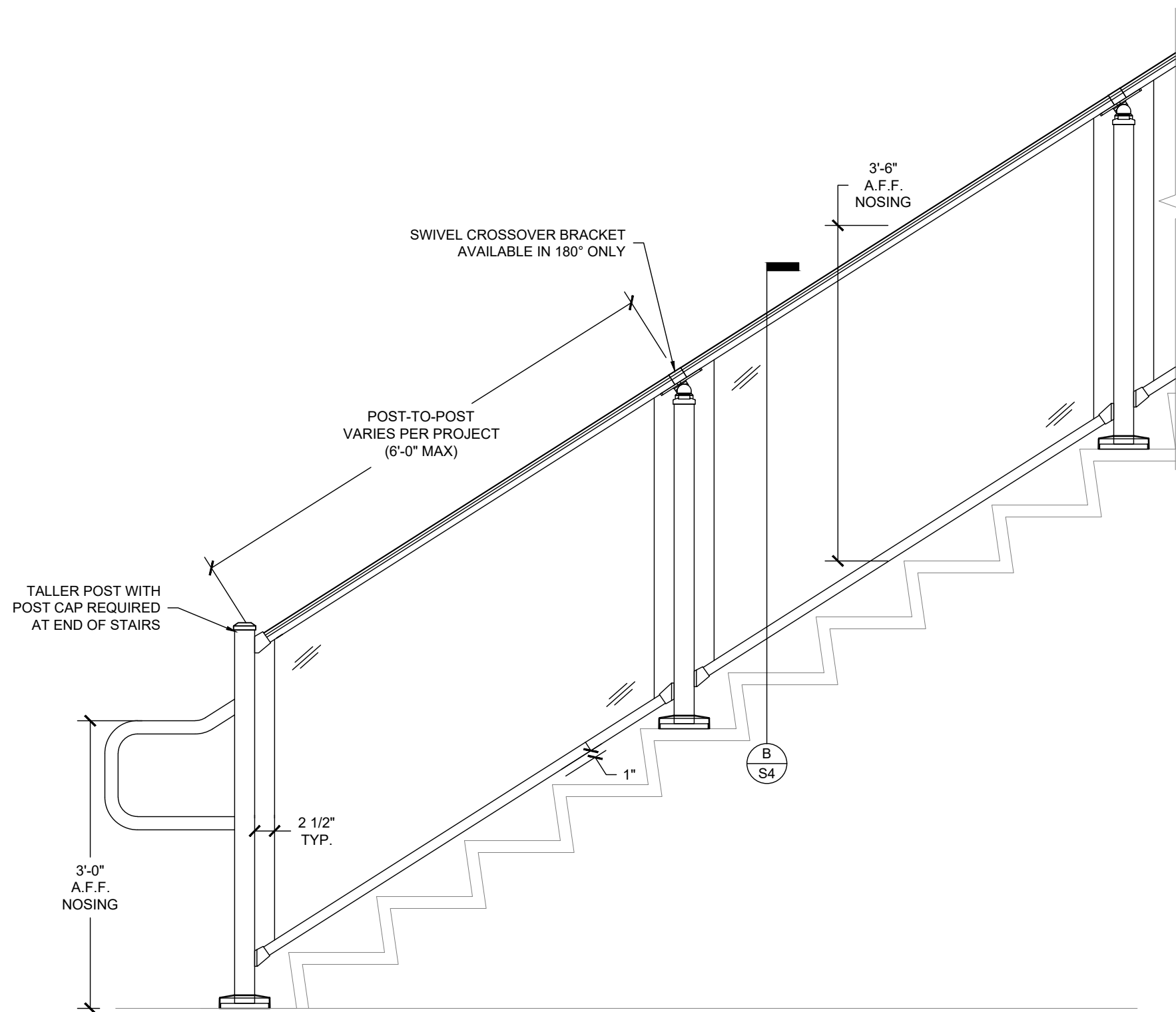
7008 NORTHLAND DR., SUITE 150  
MINNEAPOLIS, MN 55428  
PH: (763) 533-2094

THIS DRAWING IS THE PROPERTY OF TREX COMMERCIAL PRODUCTS, INC. NEITHER THE DRAWING NOR ITEMS THEREON ARE TO BE REPRODUCED OR USED IN ANY MANNER NOT AUTHORIZED BY TREX COMMERCIAL PRODUCTS, INC. IN WRITING.

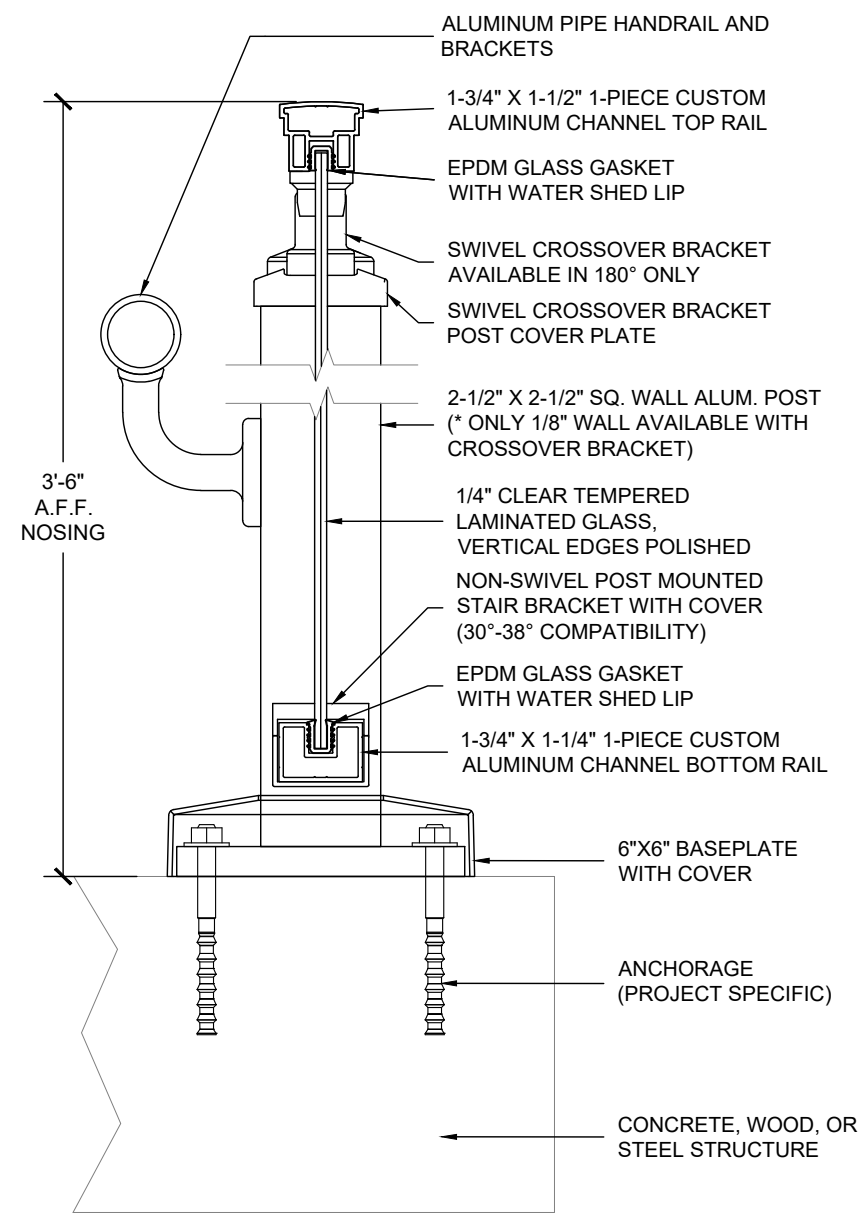
**PROJECT INFORMATION**

PROJECT:  
TREX SIGNATURE - PANEL RAIL GLASS SALES DRAWING  
LOCATION:  
MINNEAPOLIS, MN

**TREX SIGNATURE RAIL - GLASS PANEL  
2-LINE CROSSOVER - STAIRS**



**A** ELEVATION VIEW - 2-LINE GLASS CROSSOVER - STAIRS  
S4 3/4" = 1'-0"



**B** SECTION VIEW - 2-LINE GLASS CROSSOVER - STAIRS  
S4 3" = 1'-0"

**TABLE 4 - MAXIMUM WIND LOADS**

POST SPACING	WIND LOAD	
	2-1/2" x 2-1/2" x 1/8" ALUM. POST	
4'	36 (psf)	
6'	24 (psf)	

\*TREX SIGNATURE GLASS PANEL KITS ONLY COME IN 6' LENGTHS.

DRAWN BY NBB	DATE 10/21/19
PROJECT NUMBER SALES	
SHEET NUMBER TC-SIG-PANEL-GLS-S4	

ITEM	DESCRIPTION	AUTH	DATE



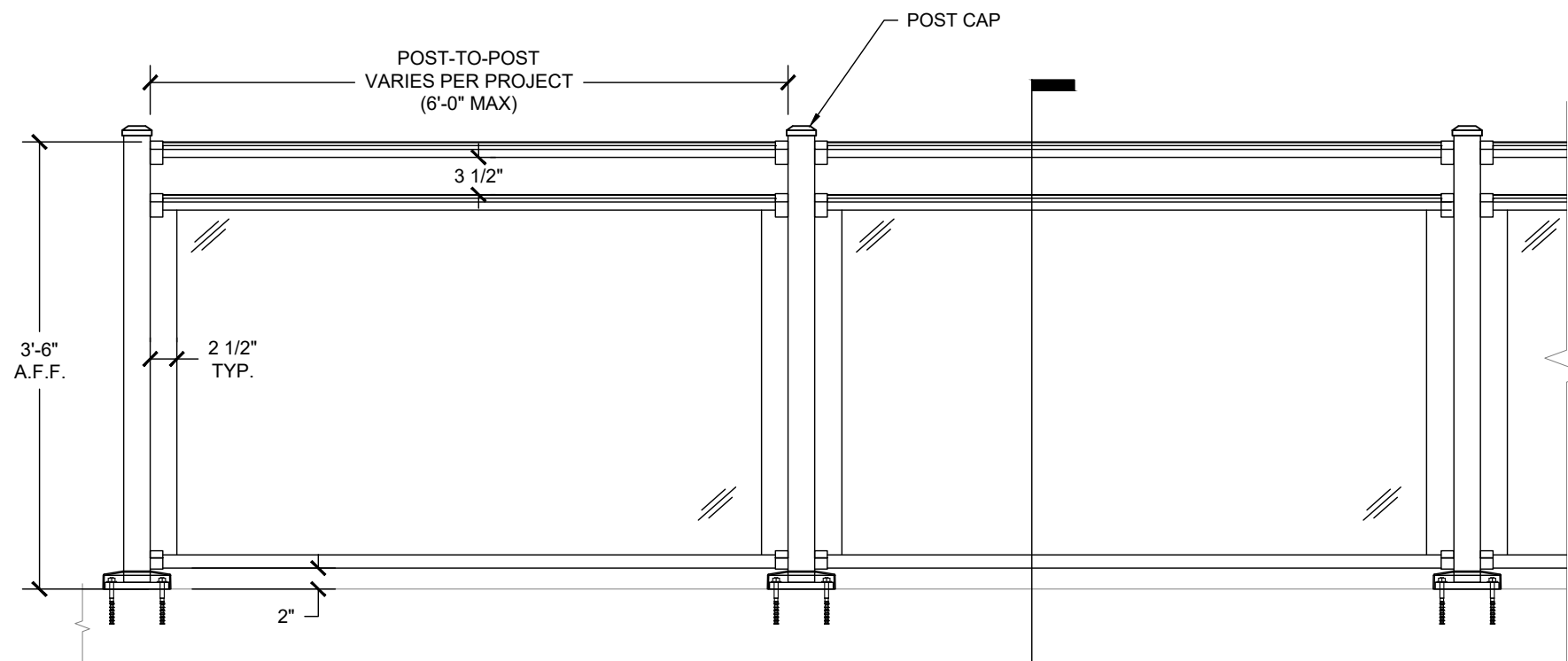
**COMMERCIAL PRODUCTS**

7008 NORTHLAND DR., SUITE 150  
MINNEAPOLIS, MN 55428  
PH: (763) 533-2094

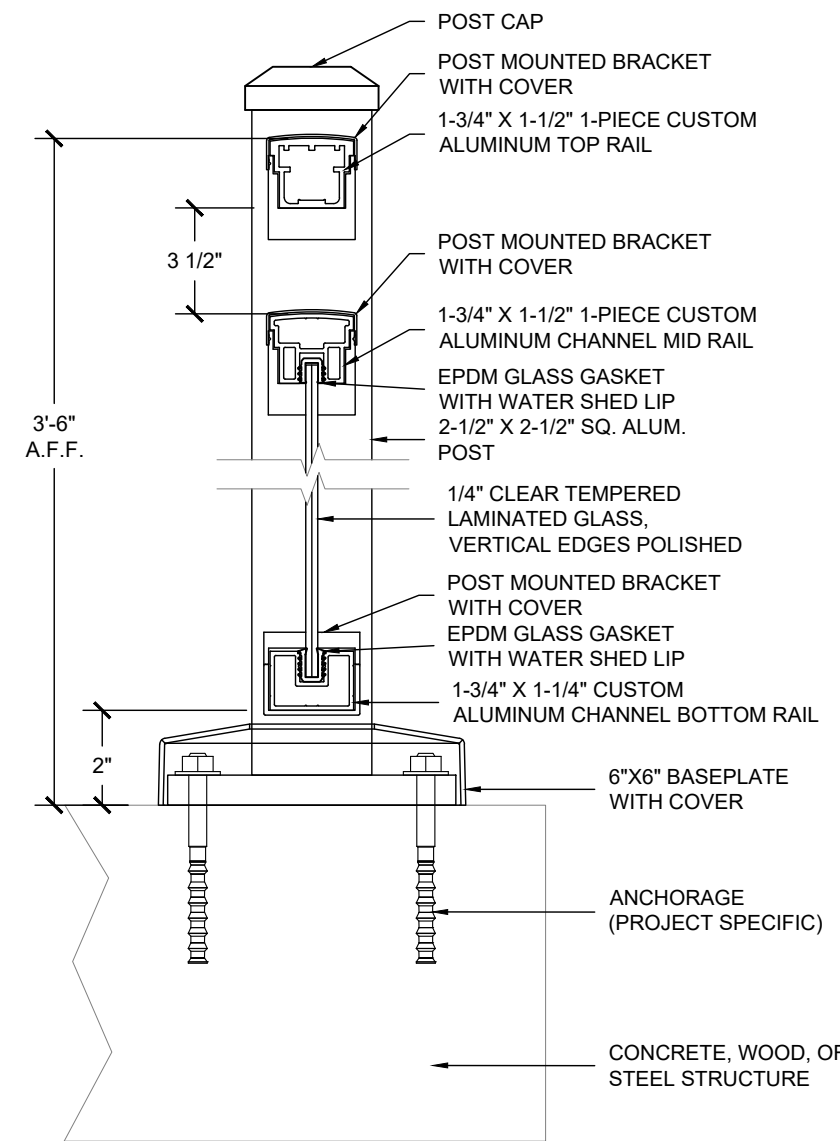
THIS DRAWING IS THE PROPERTY OF TREX COMMERCIAL PRODUCTS, INC. NEITHER THE DRAWING NOR ITEMS THEREON ARE TO BE REPRODUCED OR USED IN ANY MANNER NOT AUTHORIZED BY TREX COMMERCIAL PRODUCTS, INC. IN WRITING.

**PROJECT INFORMATION**

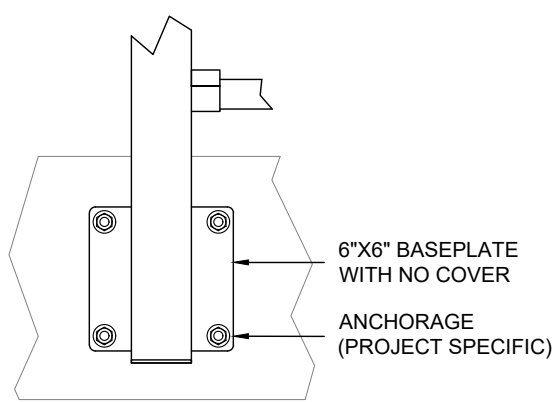
PROJECT:  
TREX SIGNATURE - PANEL RAIL  
GLASS SALES DRAWING  
LOCATION:  
MINNEAPOLIS, MN



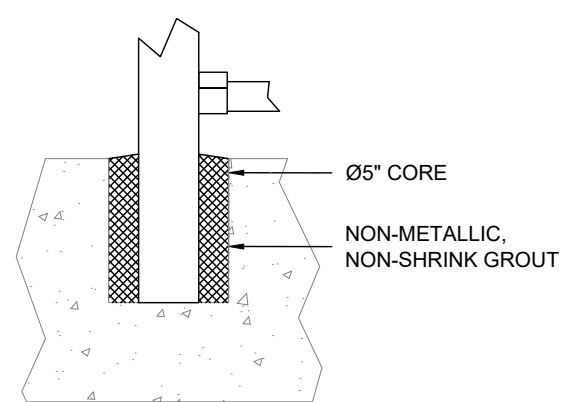
**A** ELEVATION VIEW - 3-LINE GLASS PANEL - OVERLOOK  
S5 3/4" = 1'-0"



**B** SECTION VIEW - 3-LINE GLASS PANEL - OVERLOOK  
S5 3" = 1'-0"



**C** DETAIL VIEW - ALTERNATIVE FACE MOUNT  
S5 1 1/2" = 1'-0"



**D** DETAIL VIEW - ALTERNATIVE CORE MOUNT  
S5 1 1/2" = 1'-0"

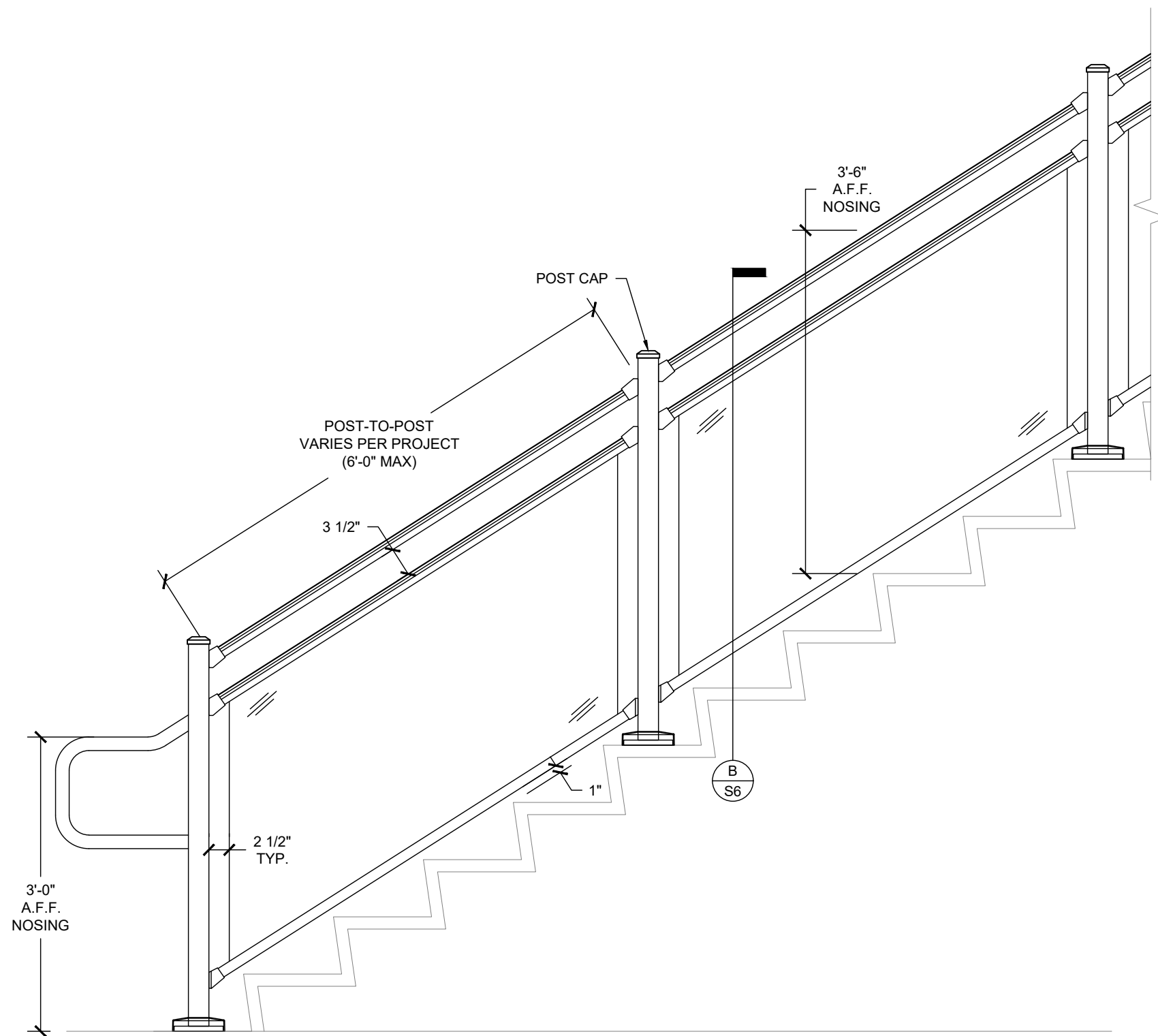
TABLE 5 - MAXIMUM WIND LOADS		
POST SPACING	WIND LOAD	
	2-1/2" x 2-1/2" x 1/8" ALUM. POST	2-1/2" x 2-1/2" x 3/16" ALUM. POST
4'	36 (psf)	40 (psf)
6'	24 (psf)	37 (psf)

\*TREX SIGNATURE GLASS PANEL KITS ONLY COME IN 6' LENGTHS.

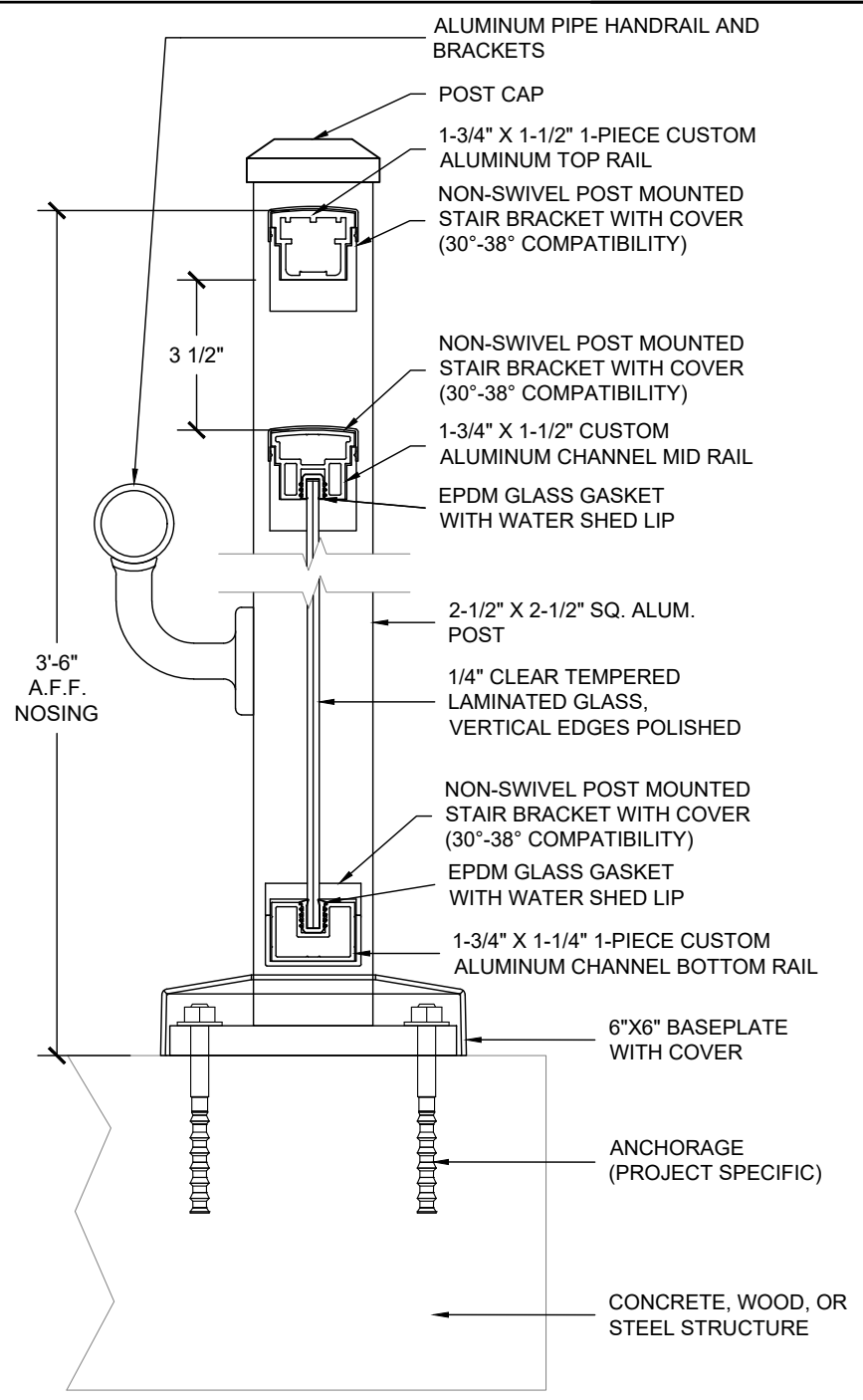
TREX SIGNATURE RAIL - GLASS PANEL  
3-LINE GUARDRAIL - OVERLOOK

ITEM	DESCRIPTION	AUTH	DATE

DRAWN BY  
NBB  
DATE  
10/21/19  
PROJECT NUMBER  
SALES  
SHEET NUMBER  
TC-SIG-PANEL-GLS-S5



**A**  
S6 ELEVATION VIEW - 2-LINE GLASS PANEL - STAIRS  
3/4" = 1'-0"



**B**  
S6 SECTION VIEW - 2-LINE GLASS PANEL - STAIRS  
3" = 1'-0"

TABLE 6 - MAXIMUM WIND LOADS		
POST SPACING	WIND LOAD	
	2-1/2" x 2-1/2" x 1/8" ALUM. POST	2-1/2" x 2-1/2" x 3/16" ALUM. POST
4'	36 (psf)	40 (psf)
6'	24 (psf)	37 (psf)



7008 NORTHLAND DR., SUITE 150  
MINNEAPOLIS, MN 55428  
PH: (763) 533-2094  
THIS DRAWING IS THE PROPERTY OF  
TREX COMMERCIAL PRODUCTS, INC.  
NEITHER THE DRAWING NOR ITEMS  
THEREON ARE TO BE REPRODUCED  
OR USED IN ANY MANNER NOT  
AUTHORIZED BY TREX COMMERCIAL  
PRODUCTS, INC. IN WRITING.

**PROJECT INFORMATION**

PROJECT:  
TREX SIGNATURE - PANEL RAIL  
GLASS SALES DRAWING  
LOCATION:  
MINNEAPOLIS, MN

TREX SIGNATURE RAIL - GLASS PANEL  
3-LINE GUARDRAIL - STAIRS

DRAWN BY NBB	DATE 10/21/19
PROJECT NUMBER SALES	
SHEET NUMBER TC-SIG-PANEL-GLS-S6	

\*TREX SIGNATURE GLASS PANEL KITS ONLY COME IN 6' LENGTHS.

ITEM	DESCRIPTION	AUTH	DATE



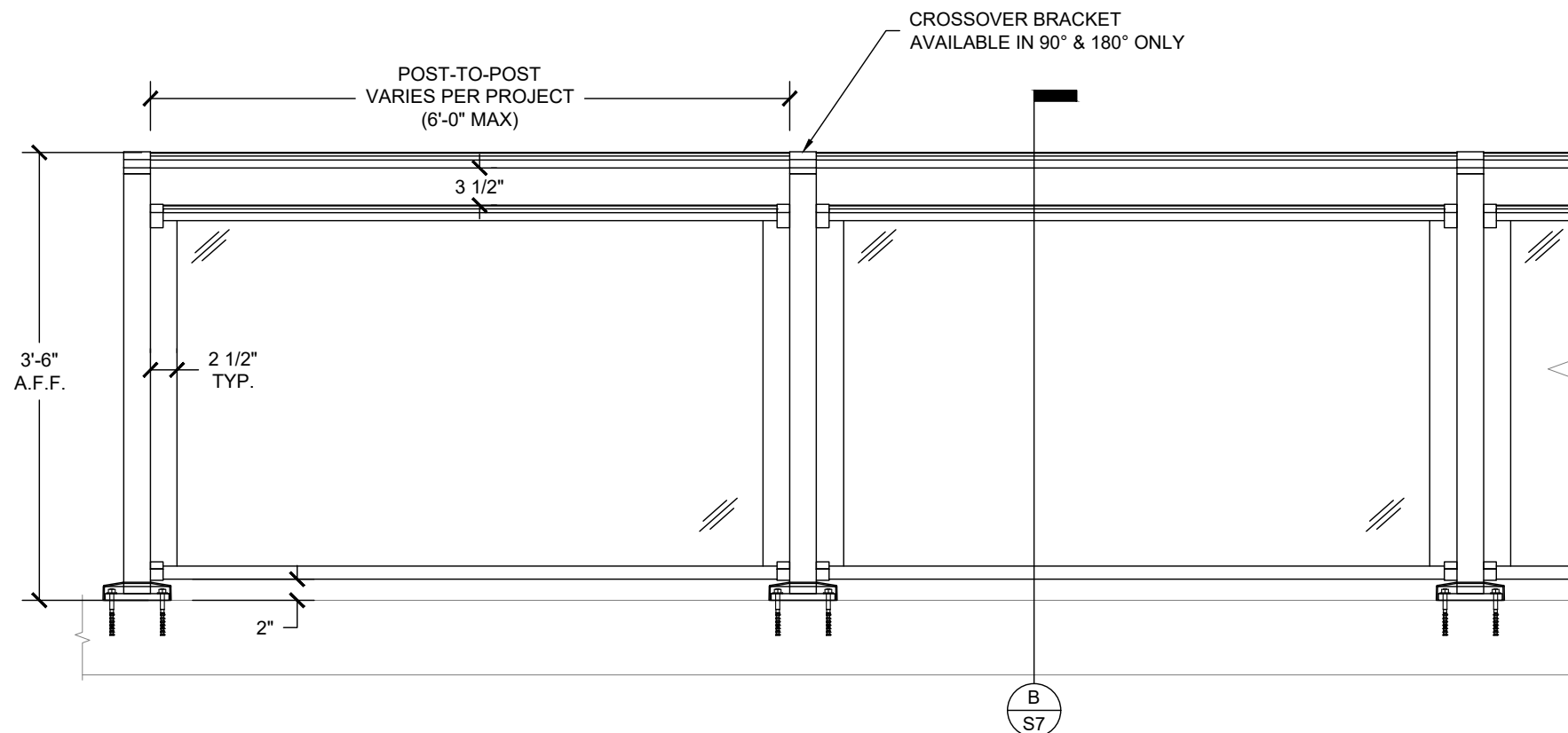
**COMMERCIAL PRODUCTS**

7008 NORTHLAND DR., SUITE 150  
MINNEAPOLIS, MN 55428  
PH: (763) 533-2094

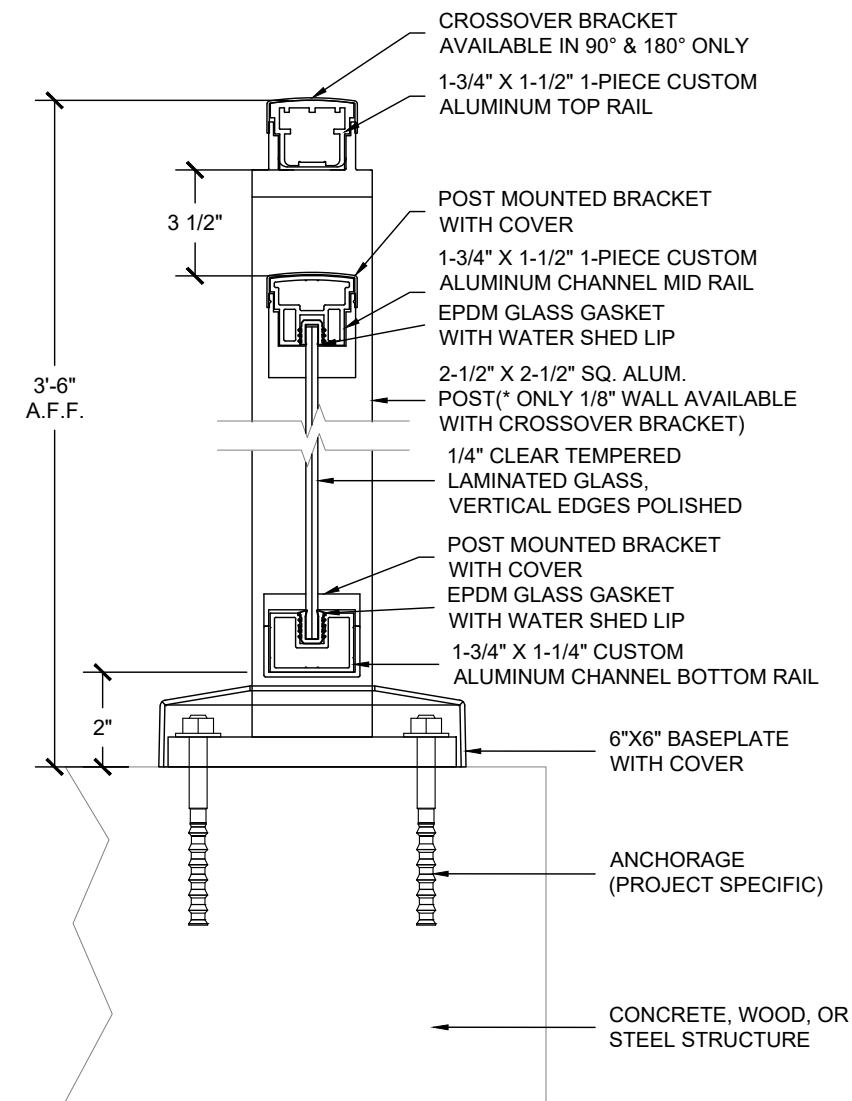
THIS DRAWING IS THE PROPERTY OF TREX COMMERCIAL PRODUCTS, INC. NEITHER THE DRAWING NOR ITEMS THEREON ARE TO BE REPRODUCED OR USED IN ANY MANNER NOT AUTHORIZED BY TREX COMMERCIAL PRODUCTS, INC. IN WRITING.

**PROJECT INFORMATION**

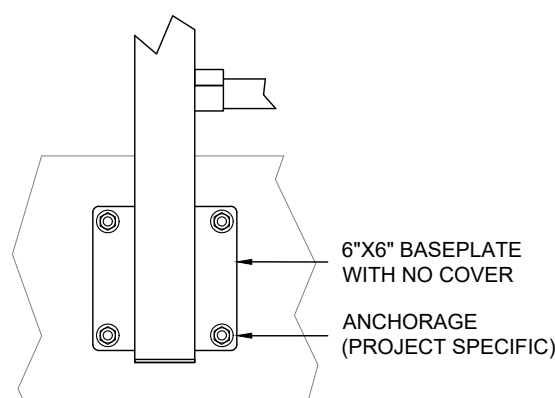
PROJECT:  
TREX SIGNATURE - PANEL RAIL  
GLASS SALES DRAWING  
LOCATION:  
MINNEAPOLIS, MN



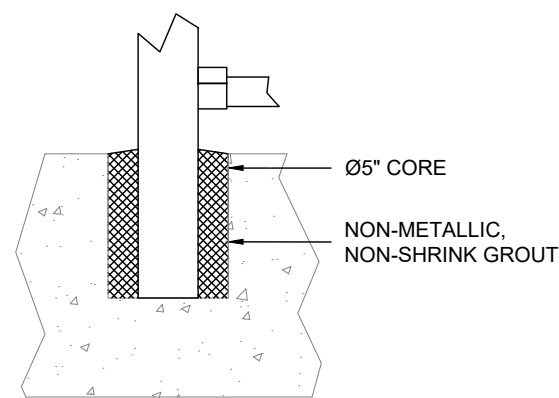
**A** ELEVATION VIEW - 3-LINE GLASS CROSSOVER - OVERLOOK  
S7 3/4" = 1'-0"



**B** SECTION VIEW - 3-LINE GLASS CROSSOVER - OVERLOOK  
S7 3" = 1'-0"



**C** DETAIL VIEW - ALTERNATIVE FACE MOUNT  
S7 1 1/2" = 1'-0"



**D** DETAIL VIEW - ALTERNATIVE CORE MOUNT  
S7 1 1/2" = 1'-0"

**TABLE 7 - MAXIMUM WIND LOADS**

POST SPACING	WIND LOAD	
	2-1/2" x 2-1/2" x 1/8" ALUM. POST	
4'	36 (psf)	
6'	24 (psf)	

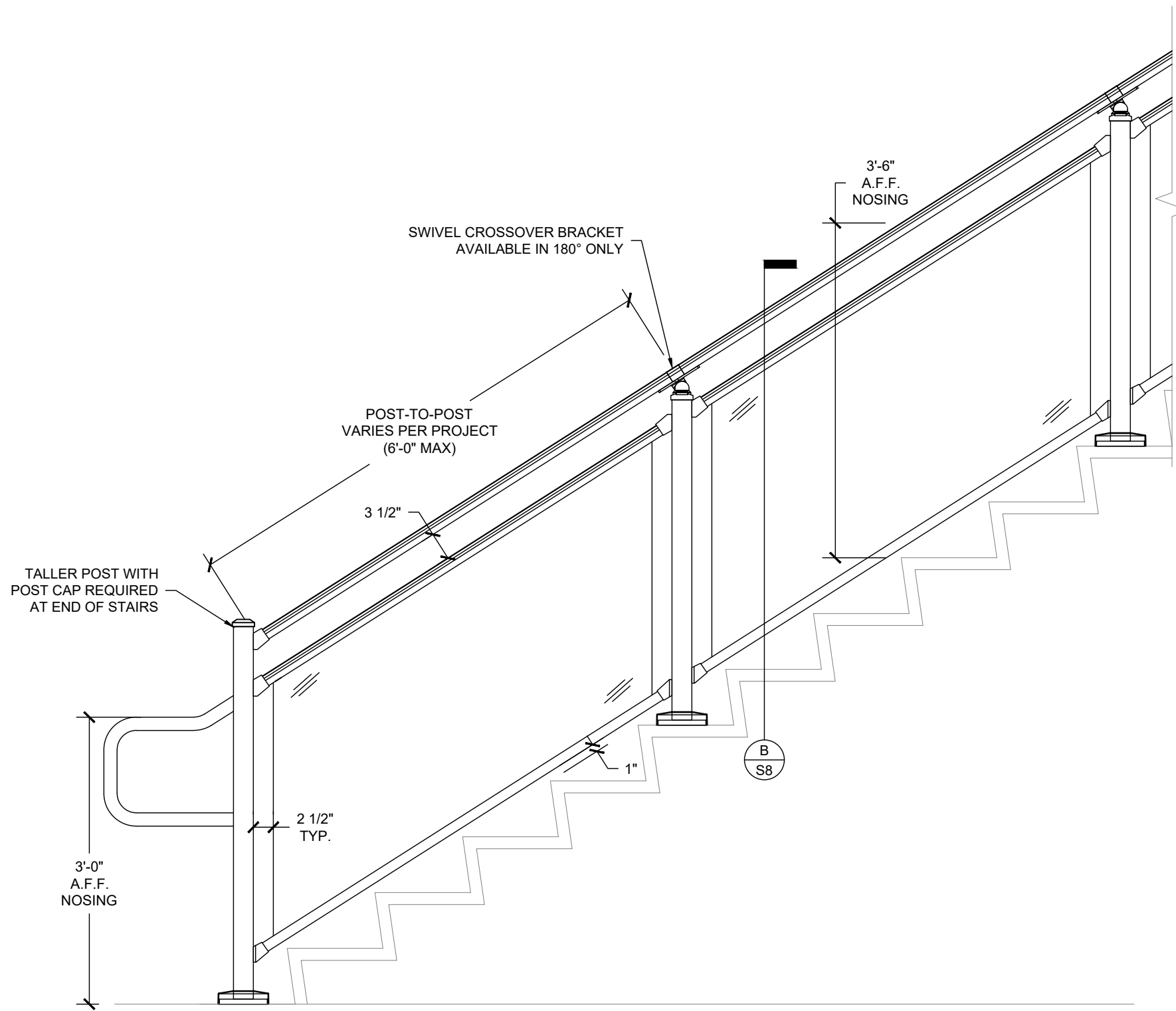
\*TREX SIGNATURE GLASS PANEL KITS ONLY COME IN 6' LENGTHS.

DRAWN BY  
NBB  
PROJECT NUMBER  
SALES  
SHEET NUMBER  
TC-SIG-PANEL-GLS-S7

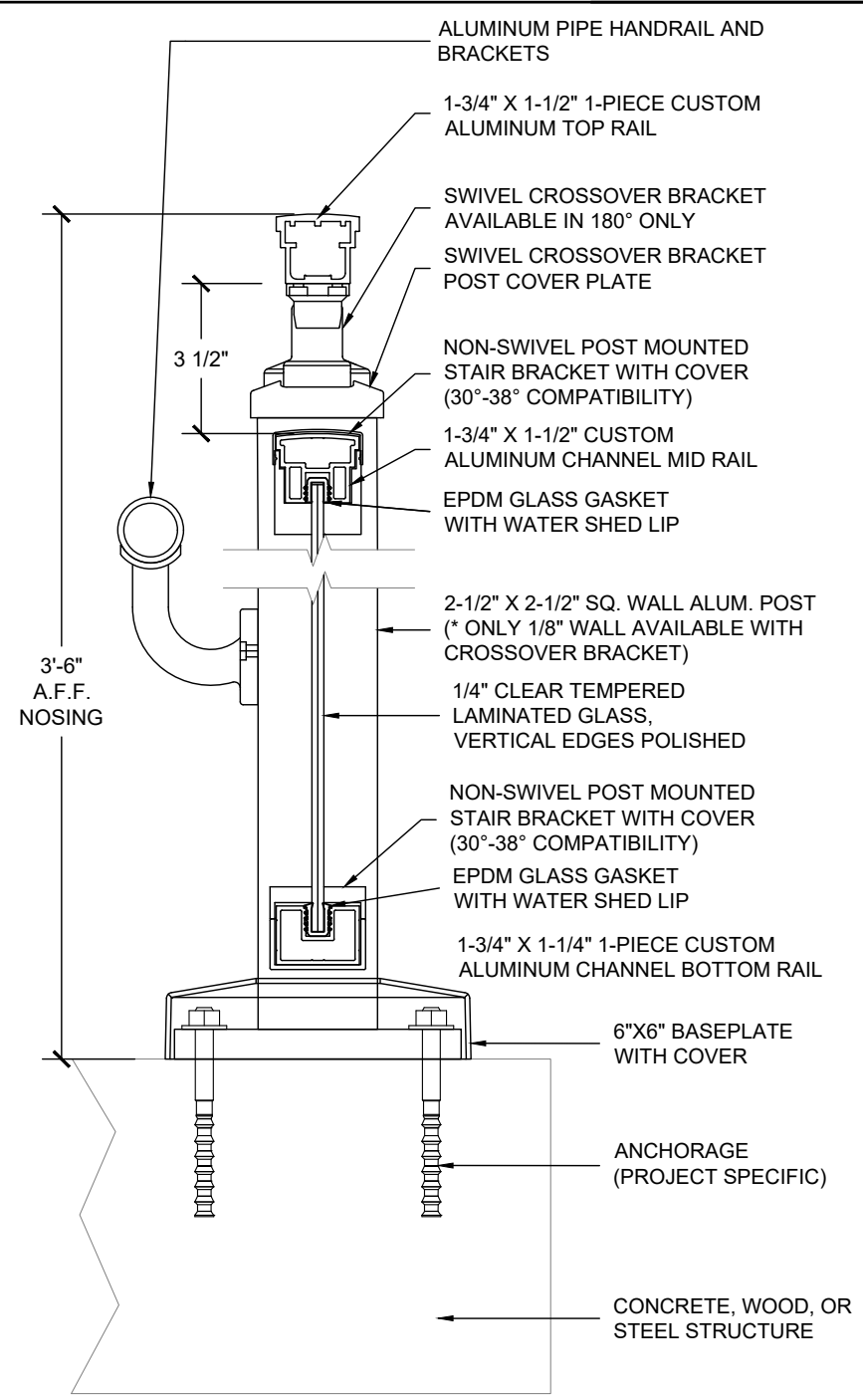
DATE  
10/21/19

ITEM	DESCRIPTION	AUTH	DATE

TREX SIGNATURE RAIL - GLASS PANEL  
3-LINE CROSSOVER - OVERLOOK



**A** ELEVATION VIEW - 3-LINE GLASS CROSSOVER - STAIRS  
3/4" = 1'-0"



**B** SECTION VIEW - 3-LINE GLASS CROSSOVER - STAIRS  
3" = 1'-0"

TABLE 8 - MAXIMUM WIND LOADS		
POST SPACING	WIND LOAD	
	2-1/2" x 2-1/2" x 1/8" ALUM. POST	
4'	36 (psf)	
6'	24 (psf)	

\*TREX SIGNATURE GLASS PANEL KITS ONLY COME IN 6' LENGTHS.



7008 NORTHLAND DR., SUITE 150  
MINNEAPOLIS, MN 55428  
PH: (763) 533-2094  
THIS DRAWING IS THE PROPERTY OF  
TREX COMMERCIAL PRODUCTS, INC.  
NEITHER THE DRAWING NOR ITEMS  
THEREON ARE TO BE REPRODUCED  
OR USED IN ANY MANNER NOT  
AUTHORIZED BY TREX COMMERCIAL  
PRODUCTS, INC. IN WRITING.

**PROJECT INFORMATION**

PROJECT:  
TREX SIGNATURE - PANEL RAIL  
GLASS SALES DRAWING  
LOCATION:  
MINNEAPOLIS, MN

TREX SIGNATURE RAIL - GLASS PANEL  
3-LINE CROSSOVER - STAIRS

DRAWN BY NBB	DATE 10/21/19
PROJECT NUMBER SALES	
SHEET NUMBER TC-SIG-PANEL-GLS-S8	

ITEM	DESCRIPTION	AUTH	DATE