



COMMERCIAL PRODUCTS

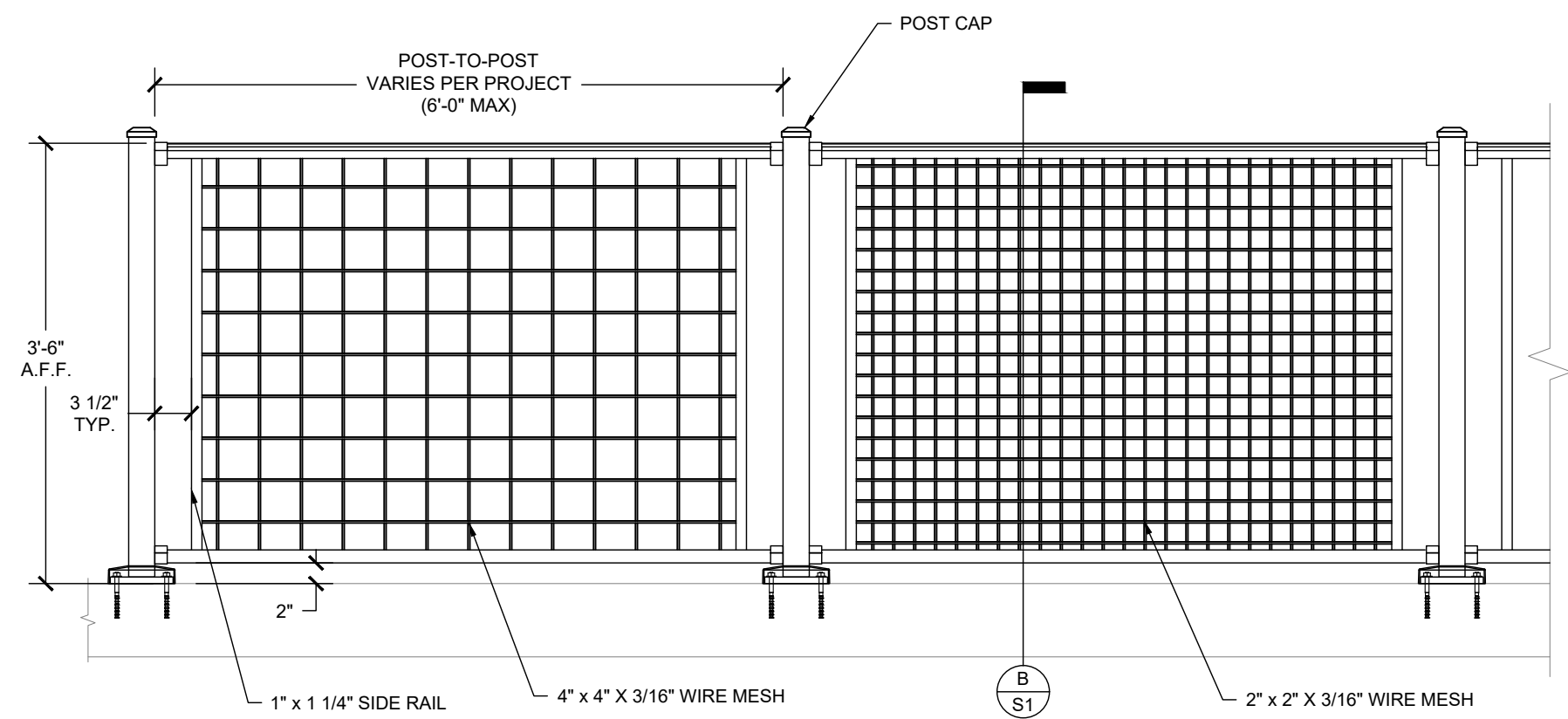
7008 NORTHLAND DR., SUITE 150
MINNEAPOLIS, MN 55428
PH: (763) 533-2094

THIS DRAWING IS THE PROPERTY OF
TREX COMMERCIAL PRODUCTS, INC.
NEITHER THE DRAWING NOR ITEMS
THEREON ARE TO BE REPRODUCED
OR USED IN ANY MANNER NOT
AUTHORIZED BY TREX COMMERCIAL
PRODUCTS, INC. IN WRITING.

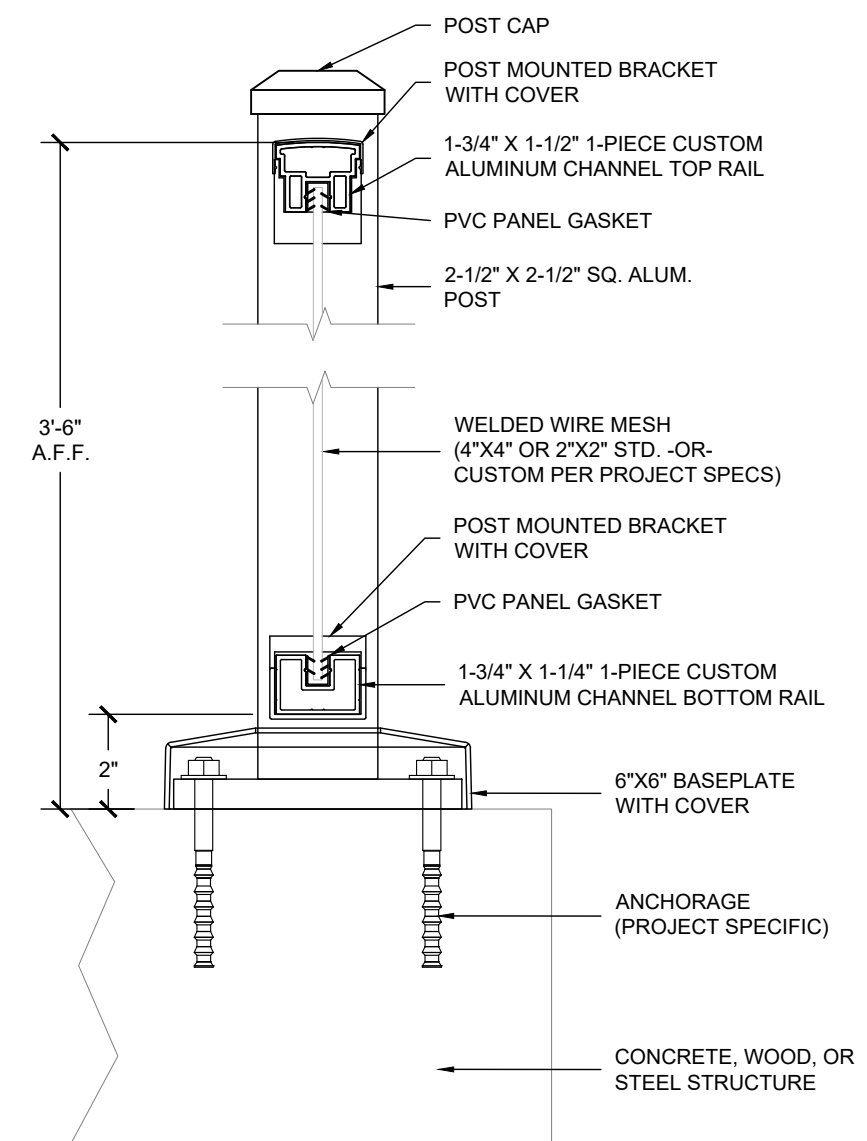
PROJECT INFORMATION

PROJECT:
TREX SIGNATURE - MESH PANEL
RAIL SALES DRAWING
LOCATION:
MINNEAPOLIS, MN

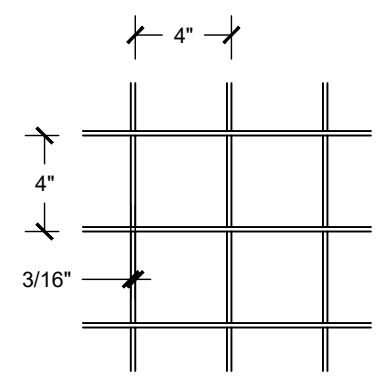
**TREX SIGNATURE RAIL - MESH PANEL
2-LINE GUARDRAIL - OVERLOOK**



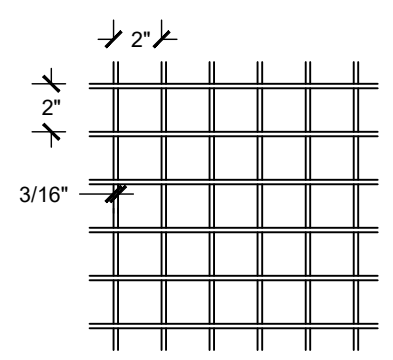
A ELEVATION VIEW - 2-LINE MESH PANEL - OVERLOOK
S1 3/4" = 1'-0"



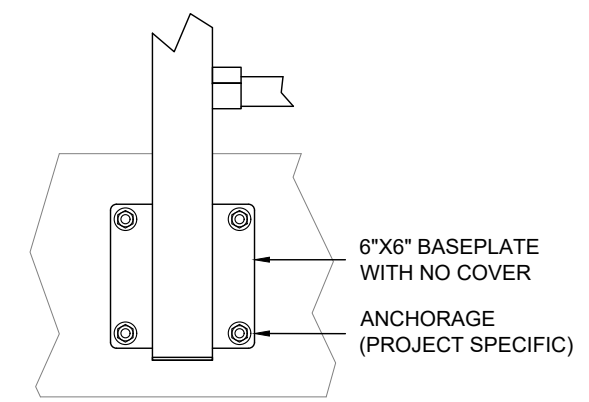
B SECTION VIEW - 2-LINE MESH PANEL - OVERLOOK
S1 3" = 1'-0"



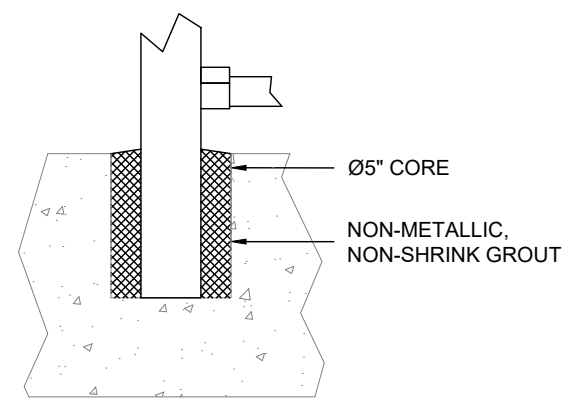
C1 DETAIL VIEW - 4"X4" MESH
S1 1 1/2" = 1'-0"



C2 DETAIL VIEW - 2"X2" MESH
S1 1 1/2" = 1'-0"



D DETAIL VIEW - ALTERNATIVE FACE MOUNT
S1 1 1/2" = 1'-0"



E DETAIL VIEW - ALTERNATIVE CORE MOUNT
S1 1 1/2" = 1'-0"

*TREX SIGNATURE MESH PANEL KITS COME IN MAX 6' LENGTHS.
** MESH SIZES SHOWN ARE STANDARD, CUSTOM AVAILABLE UPON REQUEST.

DRAWN BY NBB	DATE 10/21/19
PROJECT NUMBER SALES	
SHEET NUMBER TC-SIG-PANEL-MSH-S1	

ITEM	DESCRIPTION	AUTH	DATE
------	-------------	------	------



COMMERCIAL PRODUCTS

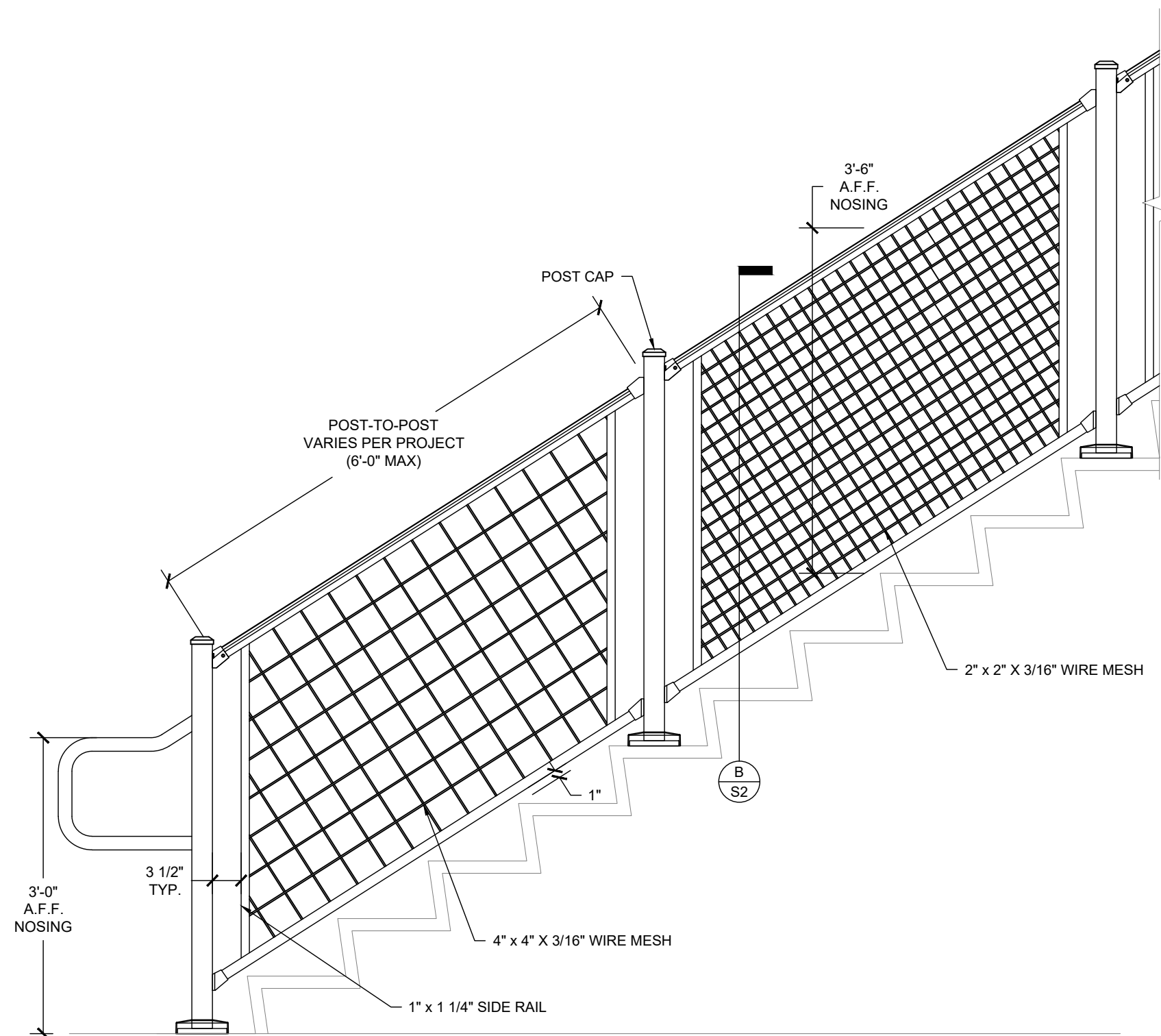
7008 NORTHLAND DR., SUITE 150
MINNEAPOLIS, MN 55428
PH: (763) 533-2094

THIS DRAWING IS THE PROPERTY OF
TREX COMMERCIAL PRODUCTS, INC.
NEITHER THE DRAWING NOR ITEMS
THEREON ARE TO BE REPRODUCED
OR USED IN ANY MANNER NOT
AUTHORIZED BY TREX COMMERCIAL
PRODUCTS, INC. IN WRITING.

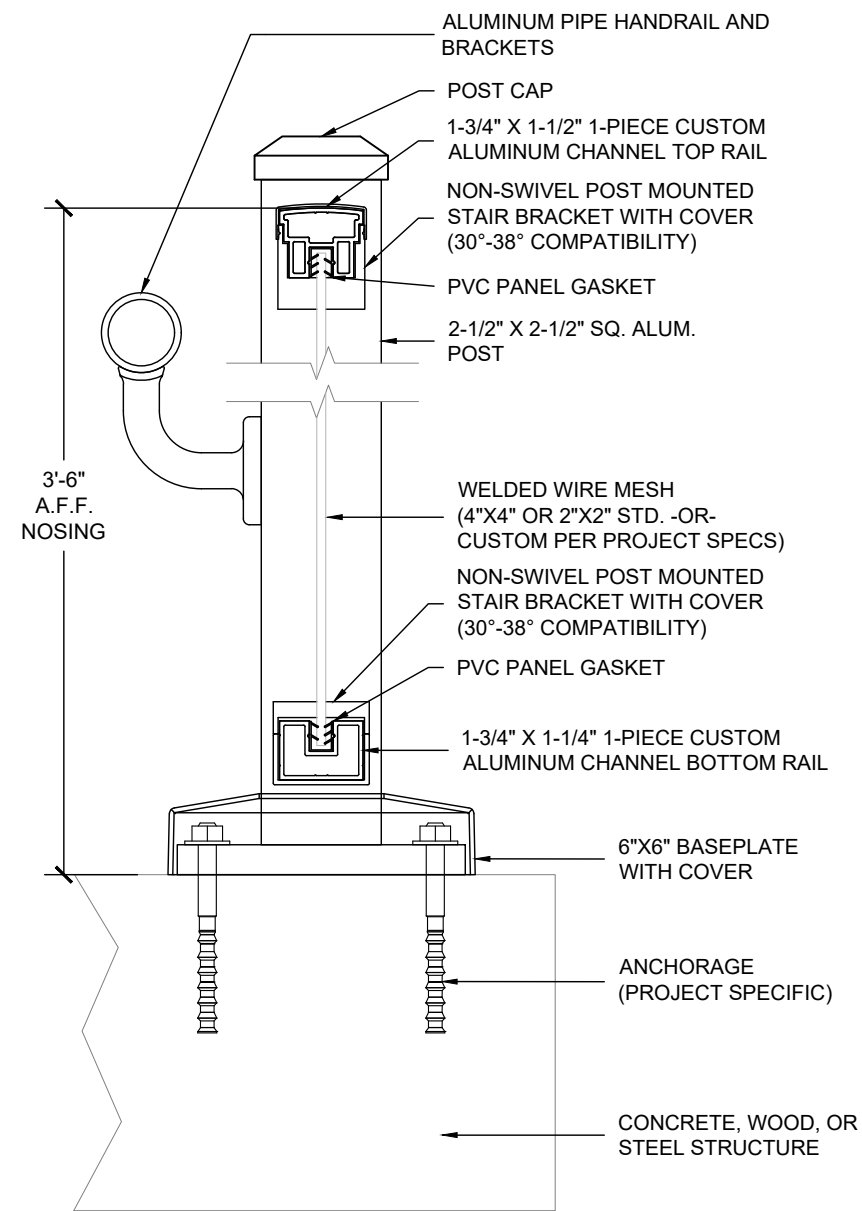
PROJECT INFORMATION

PROJECT:
TREX SIGNATURE - MESH PANEL
RAIL SALES DRAWING
LOCATION:
MINNEAPOLIS, MN

**TREX SIGNATURE RAIL - MESH PANEL
2-LINE GUARDRAIL - STAIRS**



A ELEVATION VIEW - 2-LINE MESH PANEL - STAIR
S2 3/4" = 1'-0"



B SECTION VIEW - 2-LINE MESH PANEL - STAIR
S2 3" = 1'-0"

*TREX SIGNATURE MESH PANEL KITS COME IN MAX 6' LENGTHS.
** MESH SIZES SHOWN ARE STANDARD, CUSTOM AVAILABLE UPON REQUEST.

DRAWN BY
NBB DATE
10/21/19

PROJECT NUMBER
SALES

SHEET NUMBER
TC-SIG-PANEL-MSH-S2

ITEM	DESCRIPTION	AUTH	DATE



COMMERCIAL PRODUCTS

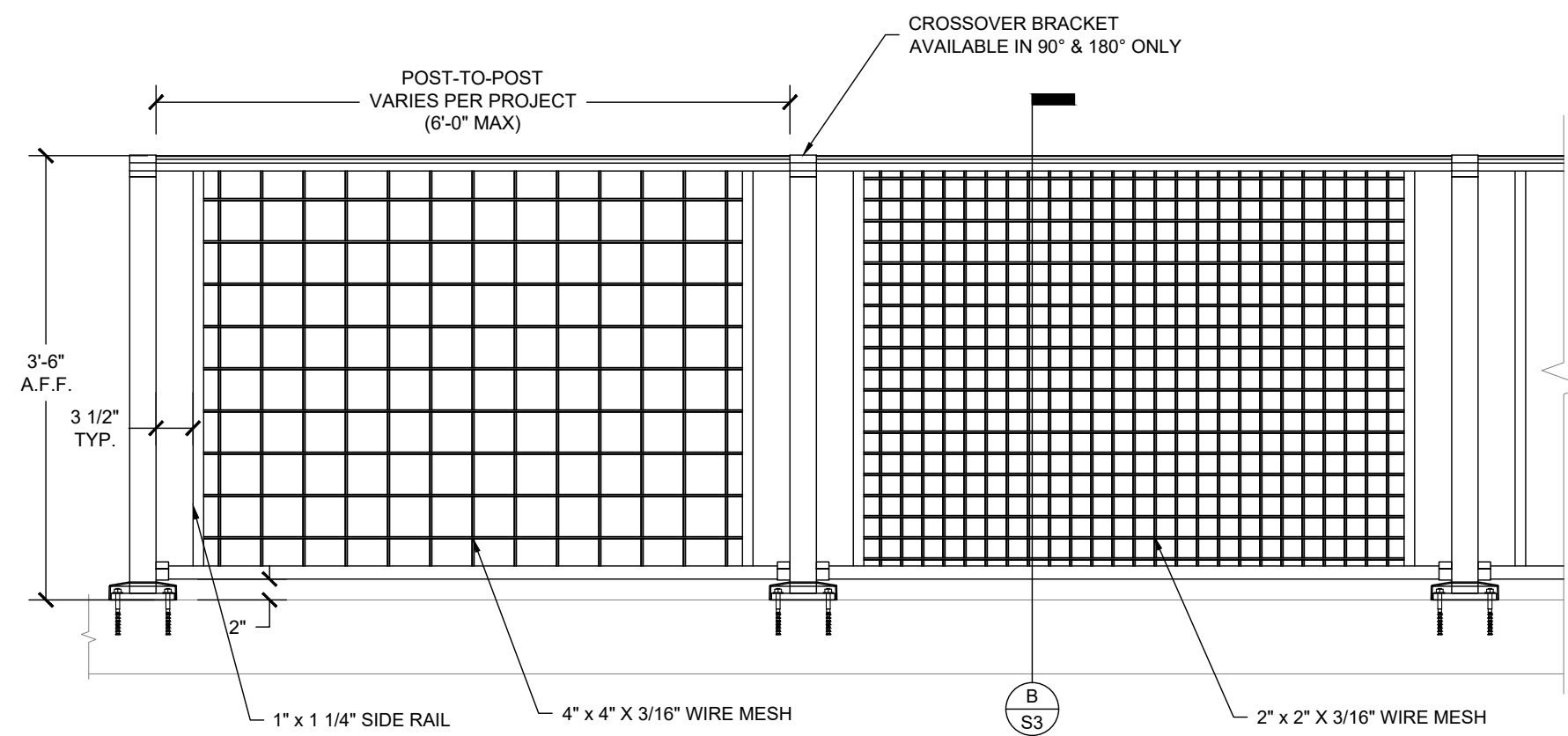
7008 NORTHLAND DR., SUITE 150
MINNEAPOLIS, MN 55428
PH: (763) 533-2094

THIS DRAWING IS THE PROPERTY OF TREX COMMERCIAL PRODUCTS, INC. NEITHER THE DRAWING NOR ITEMS THEREON ARE TO BE REPRODUCED OR USED IN ANY MANNER NOT AUTHORIZED BY TREX COMMERCIAL PRODUCTS, INC. IN WRITING.

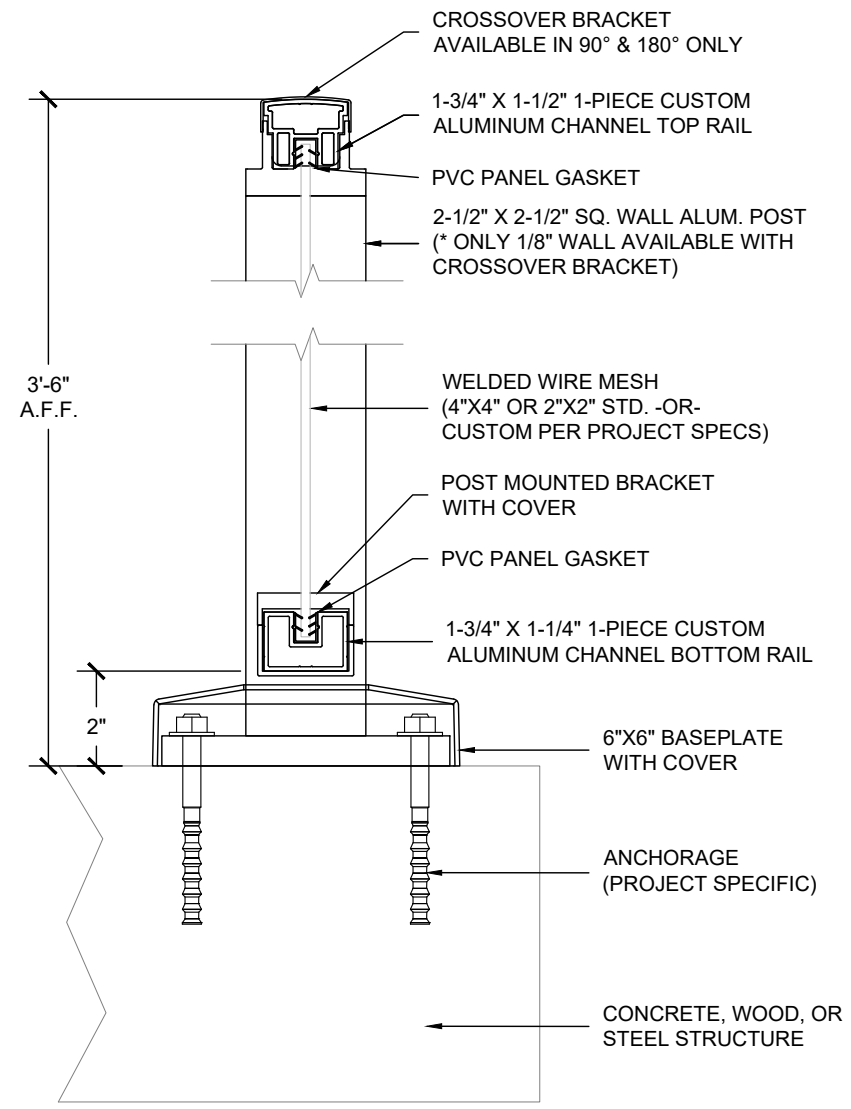
PROJECT INFORMATION

PROJECT:
TREX SIGNATURE - MESH PANEL RAIL SALES DRAWING
LOCATION:
MINNEAPOLIS, MN

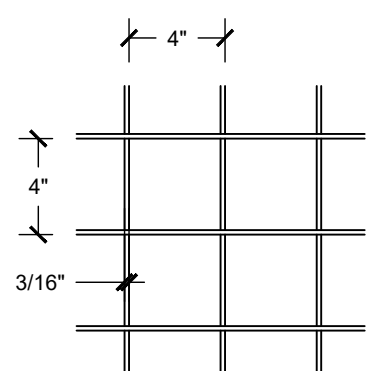
**TREX SIGNATURE RAIL - MESH PANEL
2-LINE CROSSOVER - OVERLOOK**



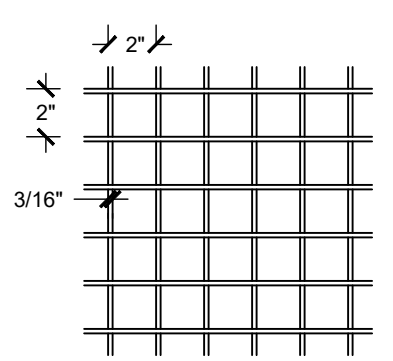
A ELEVATION VIEW - 2-LINE MESH CROSSOVER - OVERLOOK
3/4" = 1'-0"



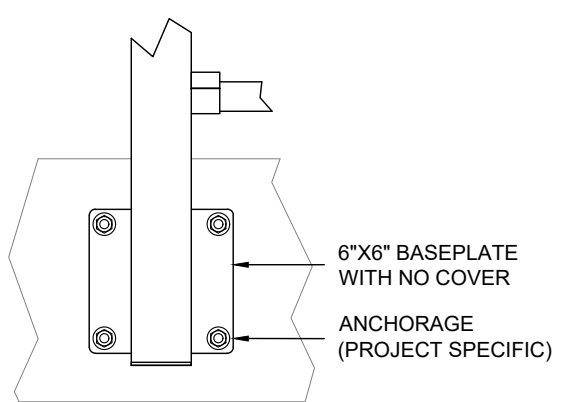
B SECTION VIEW - 2-LINE MESH CROSSOVER - OVERLOOK
3" = 1'-0"



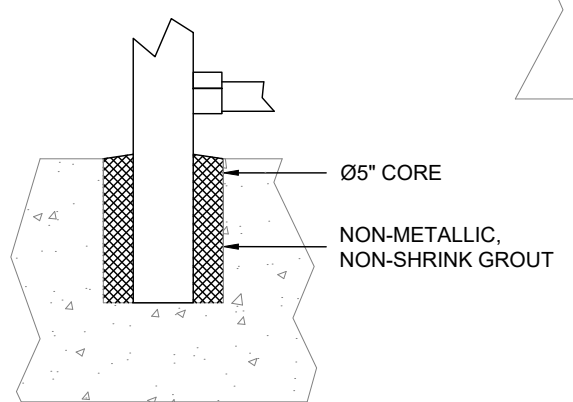
C1 DETAIL VIEW - 4"X4" MESH
1 1/2" = 1'-0"



C2 DETAIL VIEW - 2"X2" MESH
1 1/2" = 1'-0"



D DETAIL VIEW - ALTERNATIVE FACE MOUNT
1 1/2" = 1'-0"



E DETAIL VIEW - ALTERNATIVE CORE MOUNT
1 1/2" = 1'-0"

*TREX SIGNATURE MESH PANEL KITS COME IN MAX 6' LENGTHS.
** MESH SIZES SHOWN ARE STANDARD, CUSTOM AVAILABLE UPON REQUEST.

DRAWN BY NBB	DATE 10/21/19
PROJECT NUMBER SALES	
SHEET NUMBER TC-SIG-PANEL-MSH-S3	

ITEM	DESCRIPTION	AUTH	DATE
------	-------------	------	------



COMMERCIAL PRODUCTS

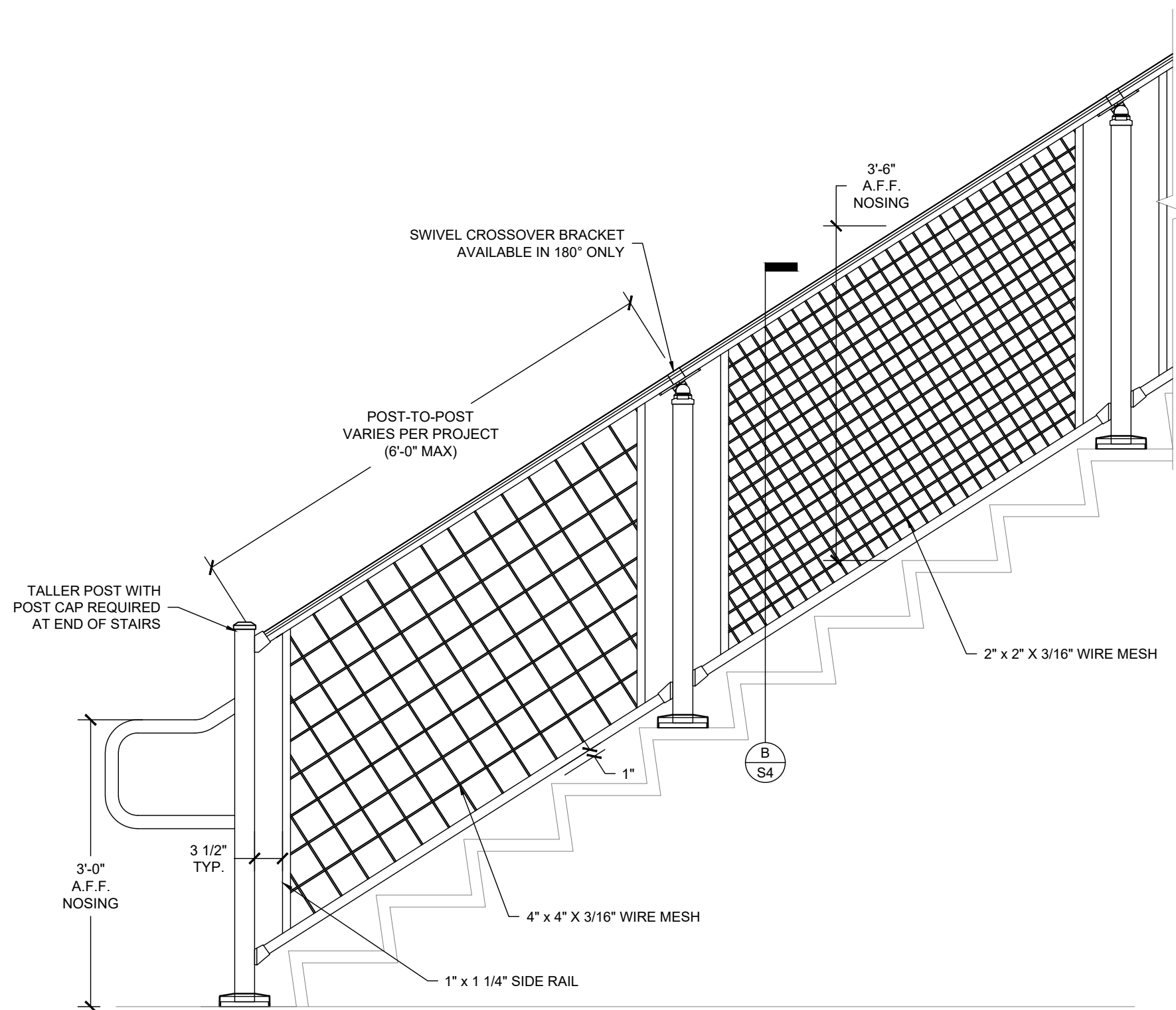
7008 NORTHLAND DR., SUITE 150
MINNEAPOLIS, MN 55428
PH: (763) 533-2094

THIS DRAWING IS THE PROPERTY OF
TREX COMMERCIAL PRODUCTS, INC.
NEITHER THE DRAWING NOR ITEMS
THEREON ARE TO BE REPRODUCED
OR USED IN ANY MANNER NOT
AUTHORIZED BY TREX COMMERCIAL
PRODUCTS, INC. IN WRITING.

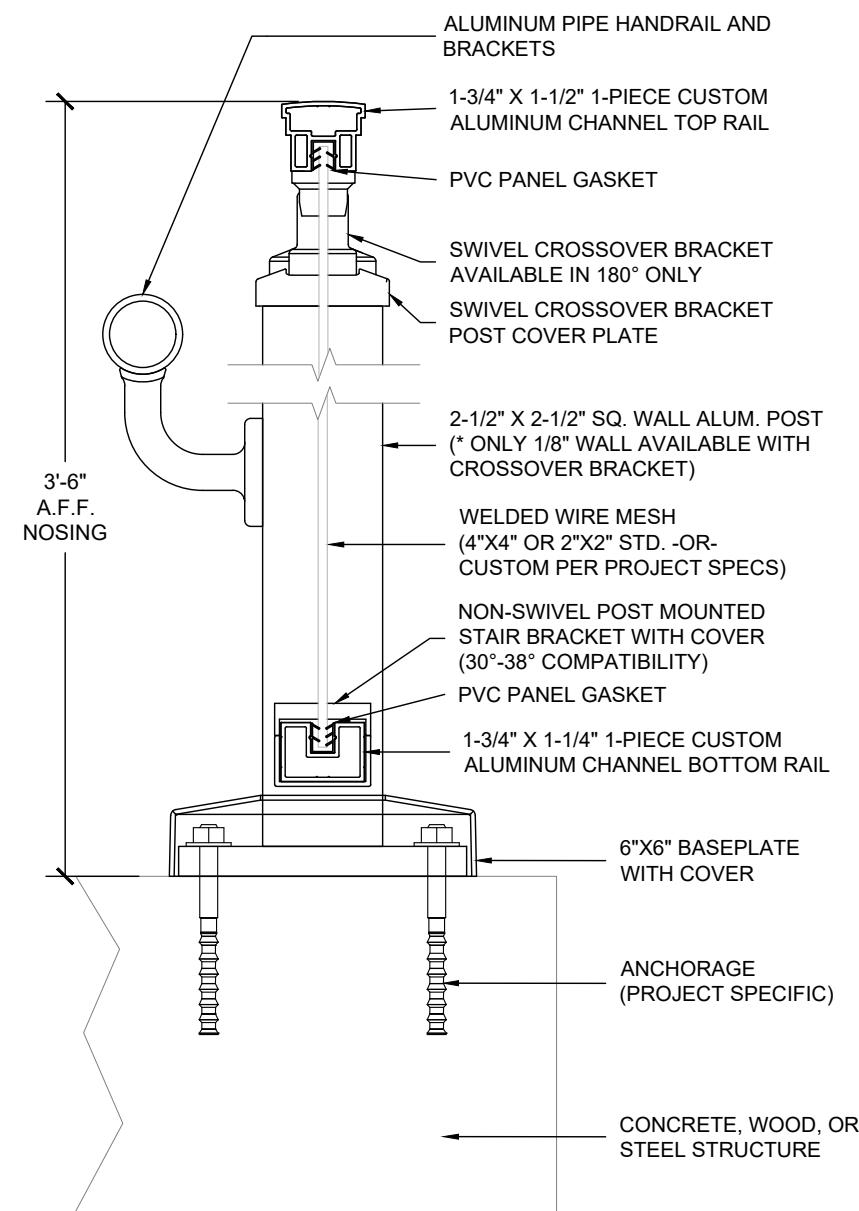
PROJECT INFORMATION

PROJECT:
TREX SIGNATURE - MESH PANEL
RAIL SALES DRAWING
LOCATION:
MINNEAPOLIS, MN

**TREX SIGNATURE RAIL - MESH PANEL
2-LINE CROSSOVER - STAIRS**



A
S4 ELEVATION VIEW - 2-LINE MESH CROSSOVER - STAIRS
3/4" = 1'-0"



B
S4 SECTION VIEW - 2-LINE MESH CROSSOVER - STAIRS
3" = 1'-0"

*TREX SIGNATURE MESH PANEL KITS COME IN MAX 6' LENGTHS.
** MESH SIZES SHOWN ARE STANDARD, CUSTOM AVAILABLE UPON REQUEST.

DRAWN BY NBB	DATE 10/21/19
PROJECT NUMBER SALES	
SHEET NUMBER TC-SIG-PANEL-MSH-S4	

ITEM	DESCRIPTION	AUTH	DATE



COMMERCIAL PRODUCTS

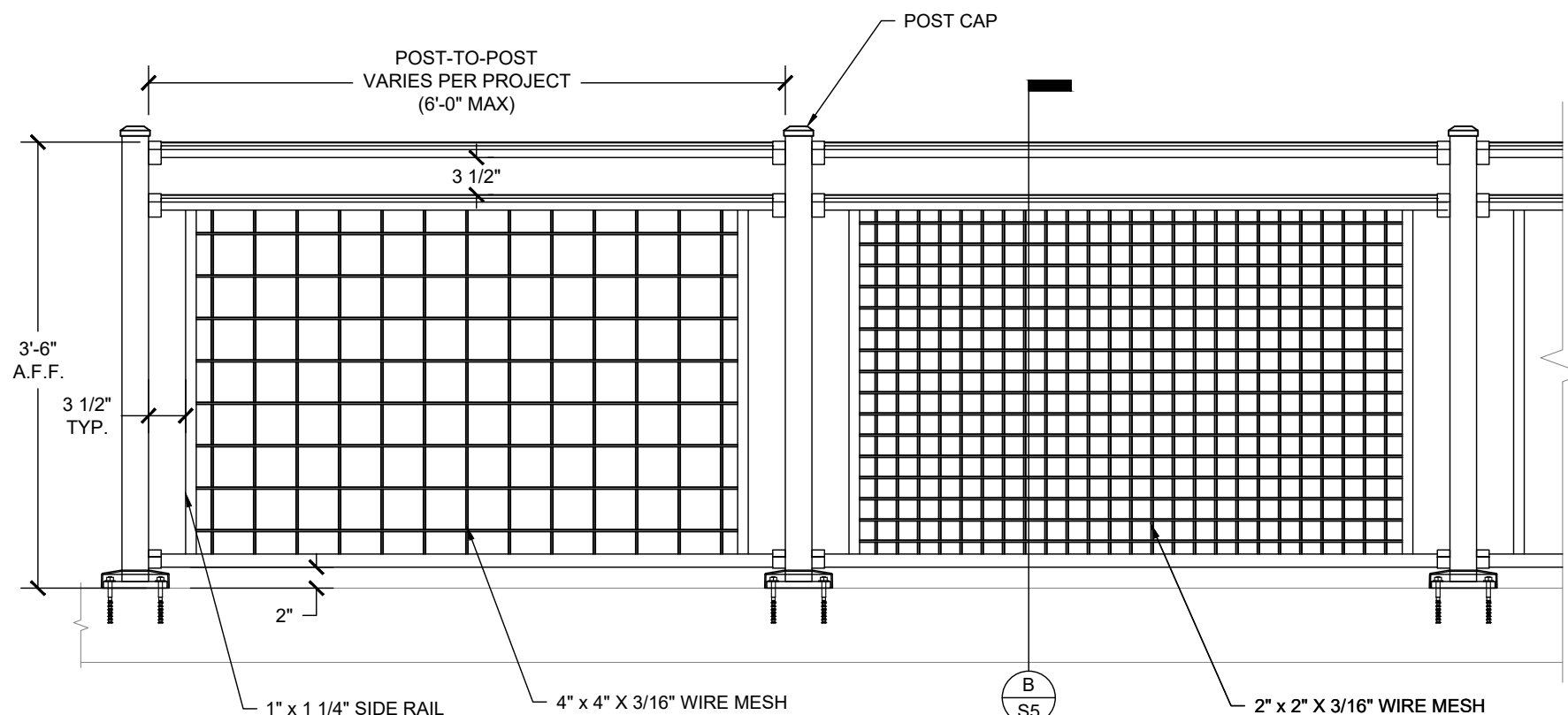
7008 NORTHLAND DR., SUITE 150
MINNEAPOLIS, MN 55428
PH: (763) 533-2094

THIS DRAWING IS THE PROPERTY OF TREX COMMERCIAL PRODUCTS, INC. NEITHER THE DRAWING NOR ITEMS THEREON ARE TO BE REPRODUCED OR USED IN ANY MANNER NOT AUTHORIZED BY TREX COMMERCIAL PRODUCTS, INC. IN WRITING.

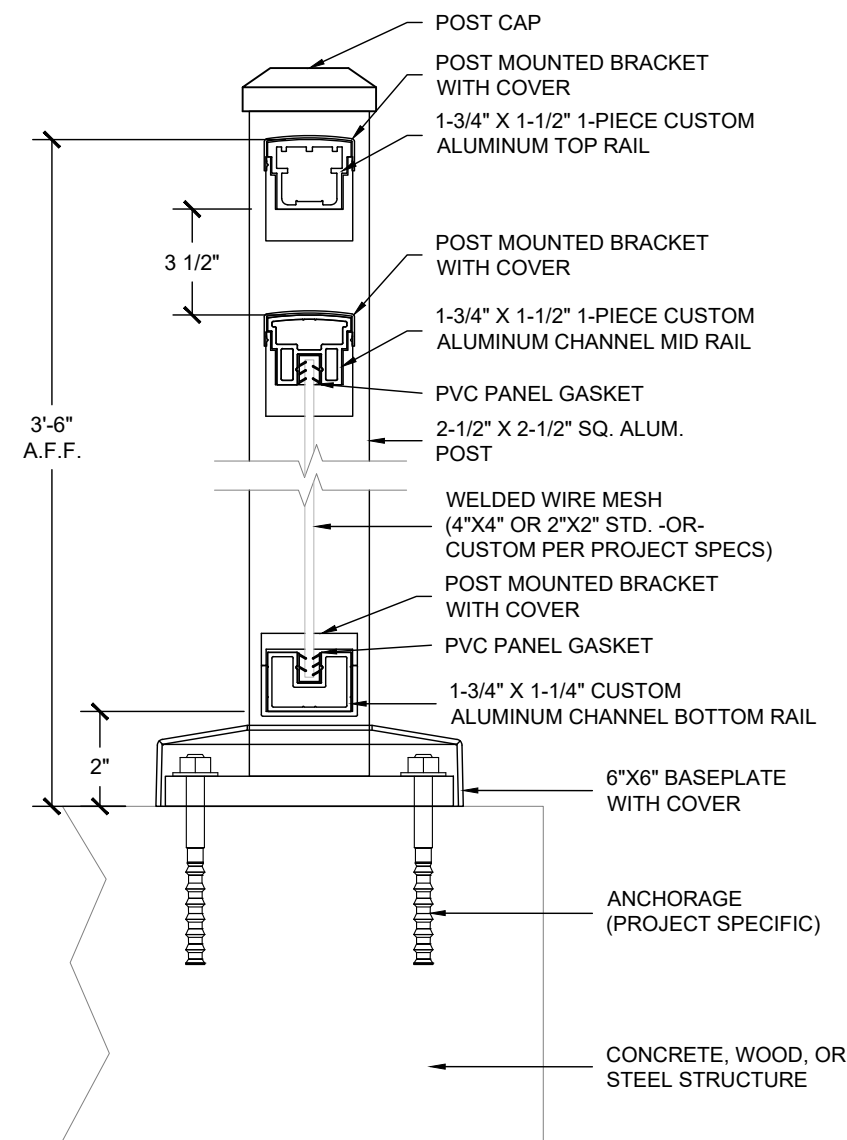
PROJECT INFORMATION

PROJECT:
TREX SIGNATURE - MESH PANEL RAIL SALES DRAWING
LOCATION:
MINNEAPOLIS, MN

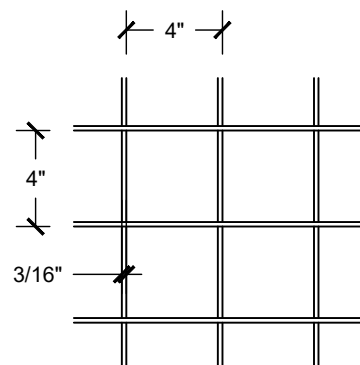
**TREX SIGNATURE RAIL - MESH PANEL
3-LINE GUARDRAIL - OVERLOOK**



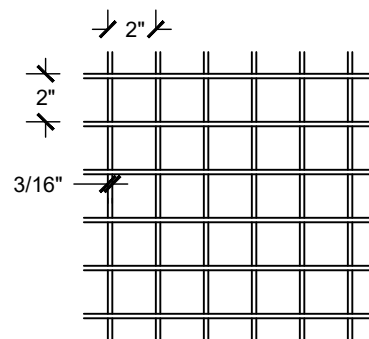
A
S5 ELEVATION VIEW - 3-LINE MESH PANEL - OVERLOOK
3/4" = 1'-0"



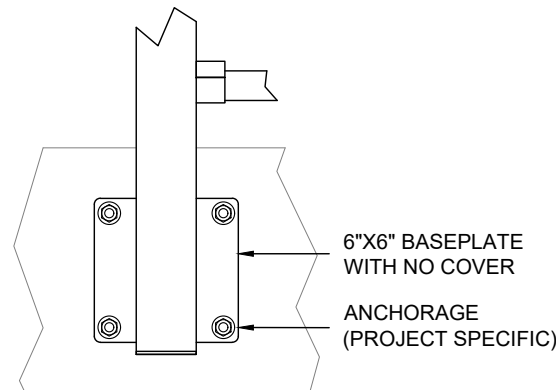
B
S5 SECTION VIEW - 3-LINE MESH PANEL - OVERLOOK
3" = 1'-0"



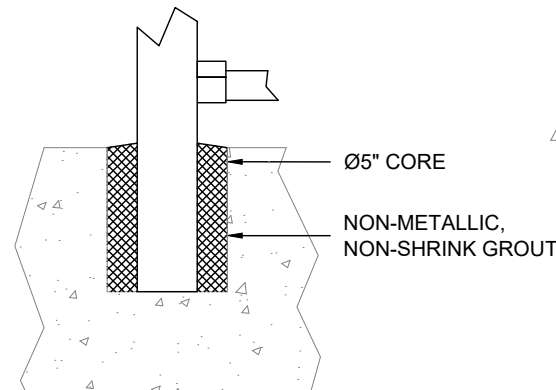
C1
S5 DETAIL VIEW - 4"X4" MESH
1 1/2" = 1'-0"



C2
S5 DETAIL VIEW - 2"X2" MESH
1 1/2" = 1'-0"



D
S5 DETAIL VIEW - ALTERNATIVE FACE MOUNT
1 1/2" = 1'-0"



E
S5 DETAIL VIEW - ALTERNATIVE CORE MOUNT
1 1/2" = 1'-0"

*TREX SIGNATURE MESH PANEL KITS COME IN MAX 6' LENGTHS.
** MESH SIZES SHOWN ARE STANDARD, CUSTOM AVAILABLE UPON REQUEST.

DRAWN BY NBB	DATE 10/21/19
PROJECT NUMBER SALES	
SHEET NUMBER TC-SIG-PANEL-MSH-S5	

ITEM	DESCRIPTION	AUTH	DATE
------	-------------	------	------



COMMERCIAL PRODUCTS

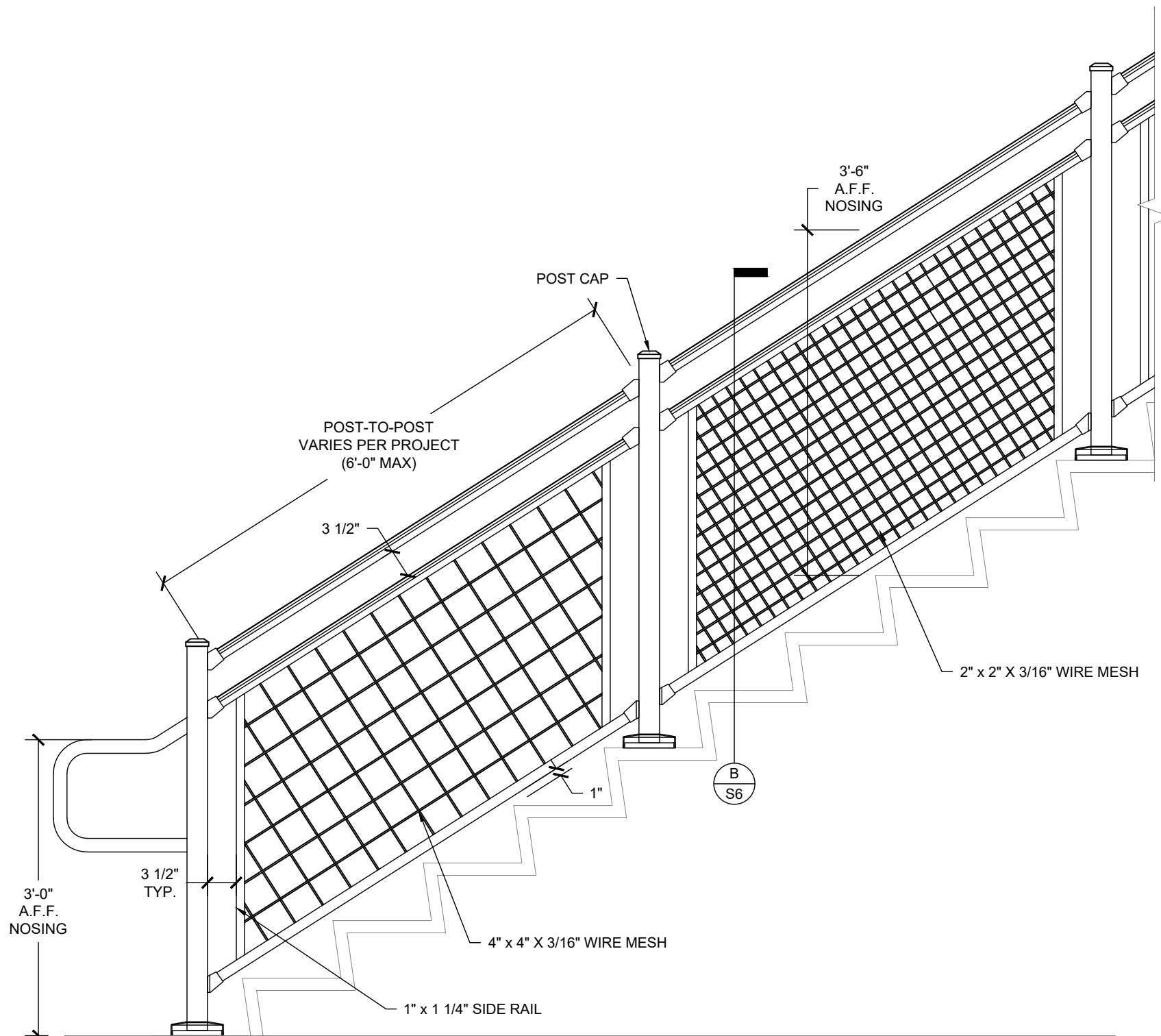
7008 NORTHLAND DR., SUITE 150
MINNEAPOLIS, MN 55428
PH: (763) 533-2094

THIS DRAWING IS THE PROPERTY OF
TREX COMMERCIAL PRODUCTS, INC.
NEITHER THE DRAWING NOR ITEMS
THEREON ARE TO BE REPRODUCED
OR USED IN ANY MANNER NOT
AUTHORIZED BY TREX COMMERCIAL
PRODUCTS, INC. IN WRITING.

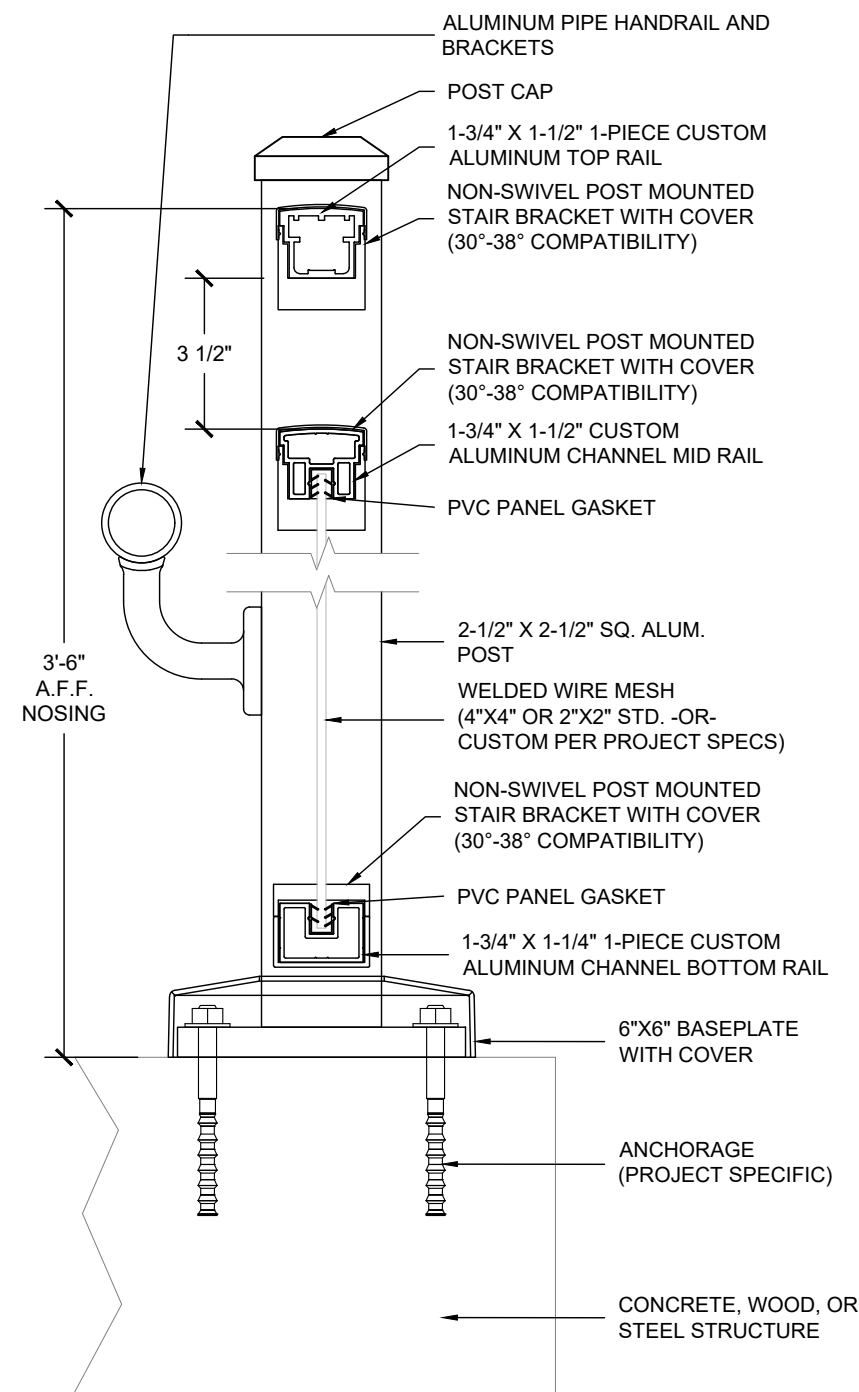
PROJECT INFORMATION

PROJECT:
TREX SIGNATURE - MESH PANEL
RAIL SALES DRAWING
LOCATION:
MINNEAPOLIS, NN

**TREX SIGNATURE RAIL - MESH PANEL
3-LINE GUARDRAIL - STAIRS**



A
S6 ELEVATION VIEW - 2-LINE MESH PANEL - STAIRS
3/4" = 1'-0"



B
S6 SECTION VIEW - 2-LINE MESH PANEL - STAIRS
3" = 1'-0"

*TREX SIGNATURE MESH PANEL KITS COME IN MAX 6' LENGTHS.
** MESH SIZES SHOWN ARE STANDARD, CUSTOM AVAILABLE UPON REQUEST.

DRAWN BY NBB	DATE 10/21/19
PROJECT NUMBER SALES	
SHEET NUMBER TC-SIG-PANEL-MSH-S6	

ITEM	DESCRIPTION	AUTH	DATE



COMMERCIAL PRODUCTS

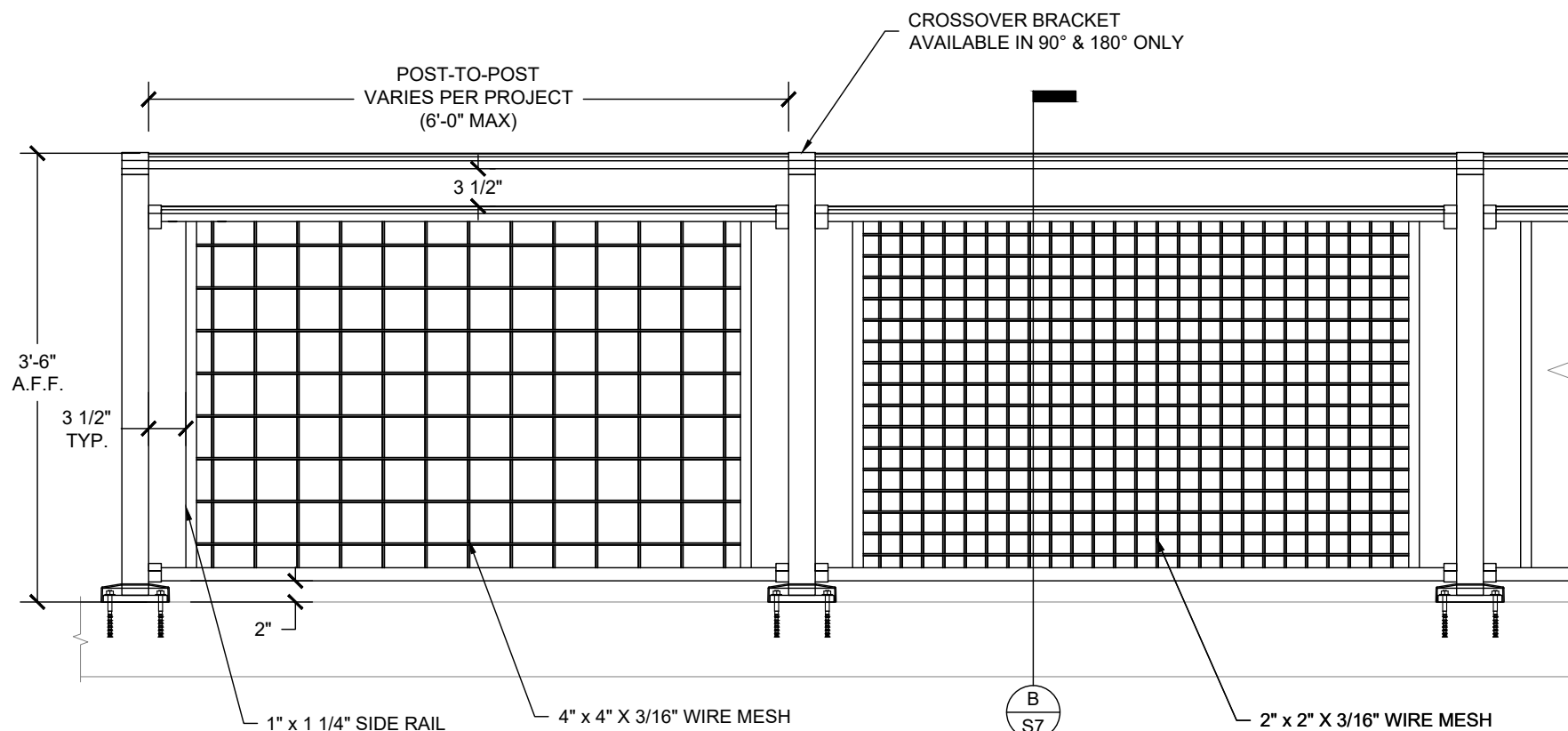
7008 NORTHLAND DR., SUITE 150
MINNEAPOLIS, MN 55428
PH: (763) 533-2094

THIS DRAWING IS THE PROPERTY OF TREX COMMERCIAL PRODUCTS, INC. NEITHER THE DRAWING NOR ITEMS THEREON ARE TO BE REPRODUCED OR USED IN ANY MANNER NOT AUTHORIZED BY TREX COMMERCIAL PRODUCTS, INC. IN WRITING.

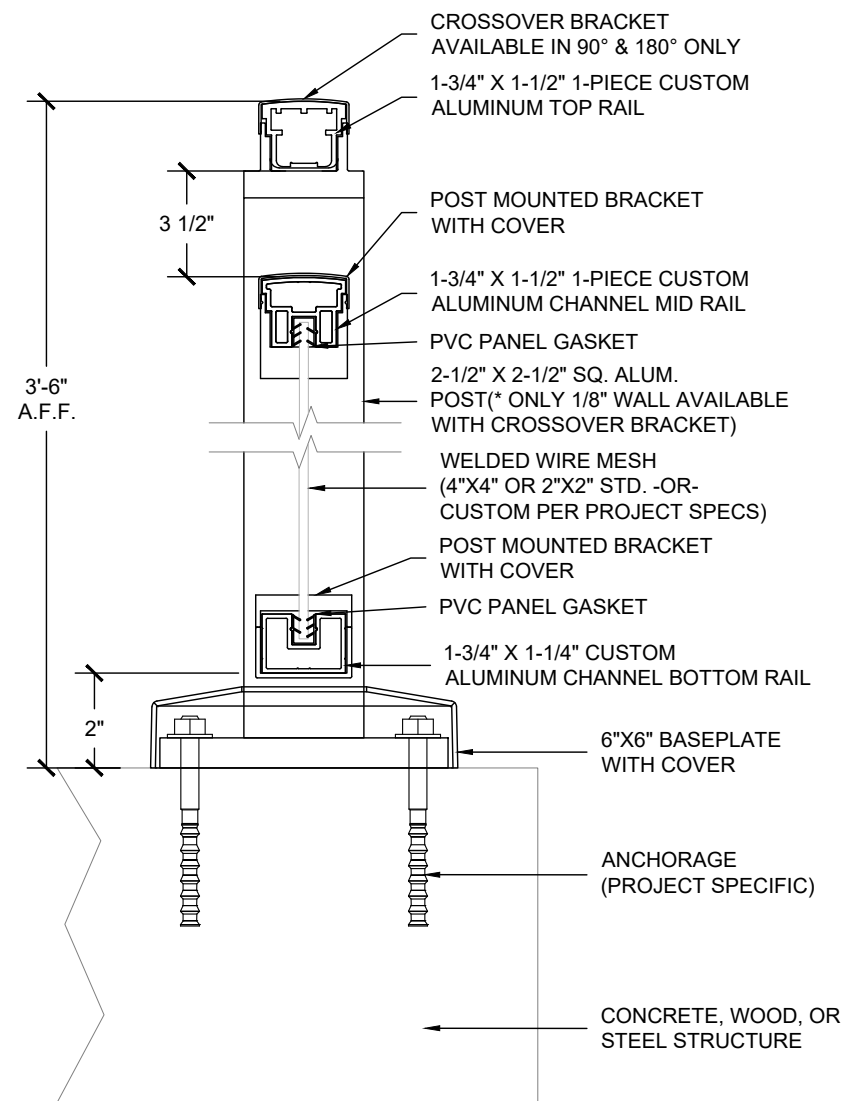
PROJECT INFORMATION

PROJECT:
TREX SIGNATURE - MESH PANEL RAIL SALES DRAWING
LOCATION:
MINNEAPOLIS, NN

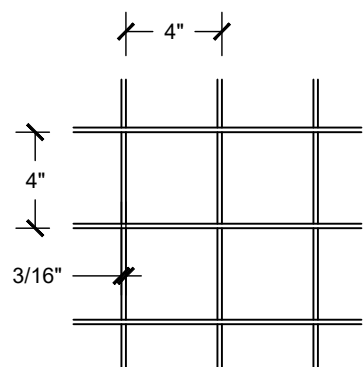
**TREX SIGNATURE RAIL - MESH PANEL
3-LINE CROSSOVER - OVERLOOK**



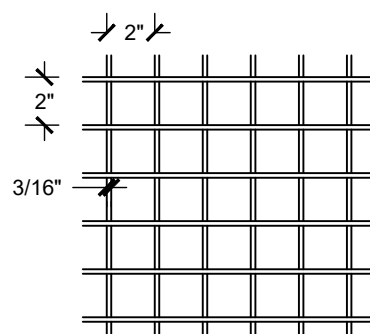
A
ELEVATION VIEW - 3-LINE MESH CROSSOVER - OVERLOOK
3/4" = 1'-0"



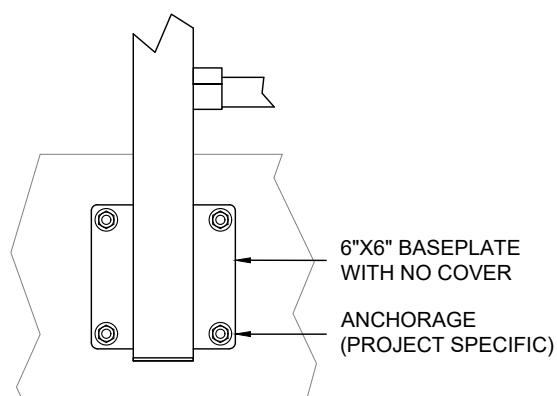
B
SECTION VIEW - 3-LINE MESH CROSSOVER - OVERLOOK
3" = 1'-0"



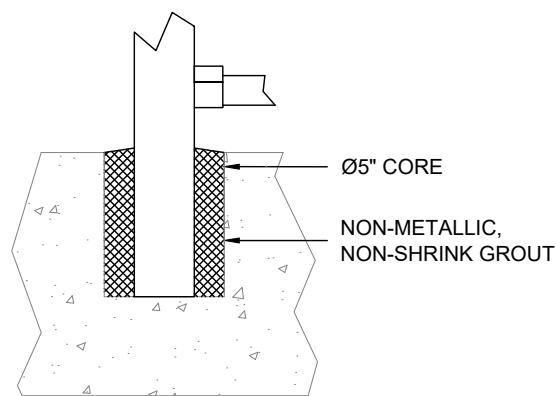
C1
DETAIL VIEW - 4"X4" MESH
1 1/2" = 1'-0"



C2
DETAIL VIEW - 2"X2" MESH
1 1/2" = 1'-0"



D
DETAIL VIEW - ALTERNATIVE FACE MOUNT
1 1/2" = 1'-0"



E
DETAIL VIEW - ALTERNATIVE CORE MOUNT
1 1/2" = 1'-0"

*TREX SIGNATURE MESH PANEL KITS COME IN MAX 6' LENGTHS.
** MESH SIZES SHOWN ARE STANDARD, CUSTOM AVAILABLE UPON REQUEST.

DRAWN BY NBB	DATE 10/21/19
PROJECT NUMBER SALES	
SHEET NUMBER TC-SIG-PANEL-MSH-S7	

ITEM	DESCRIPTION	AUTH	DATE
------	-------------	------	------



COMMERCIAL PRODUCTS

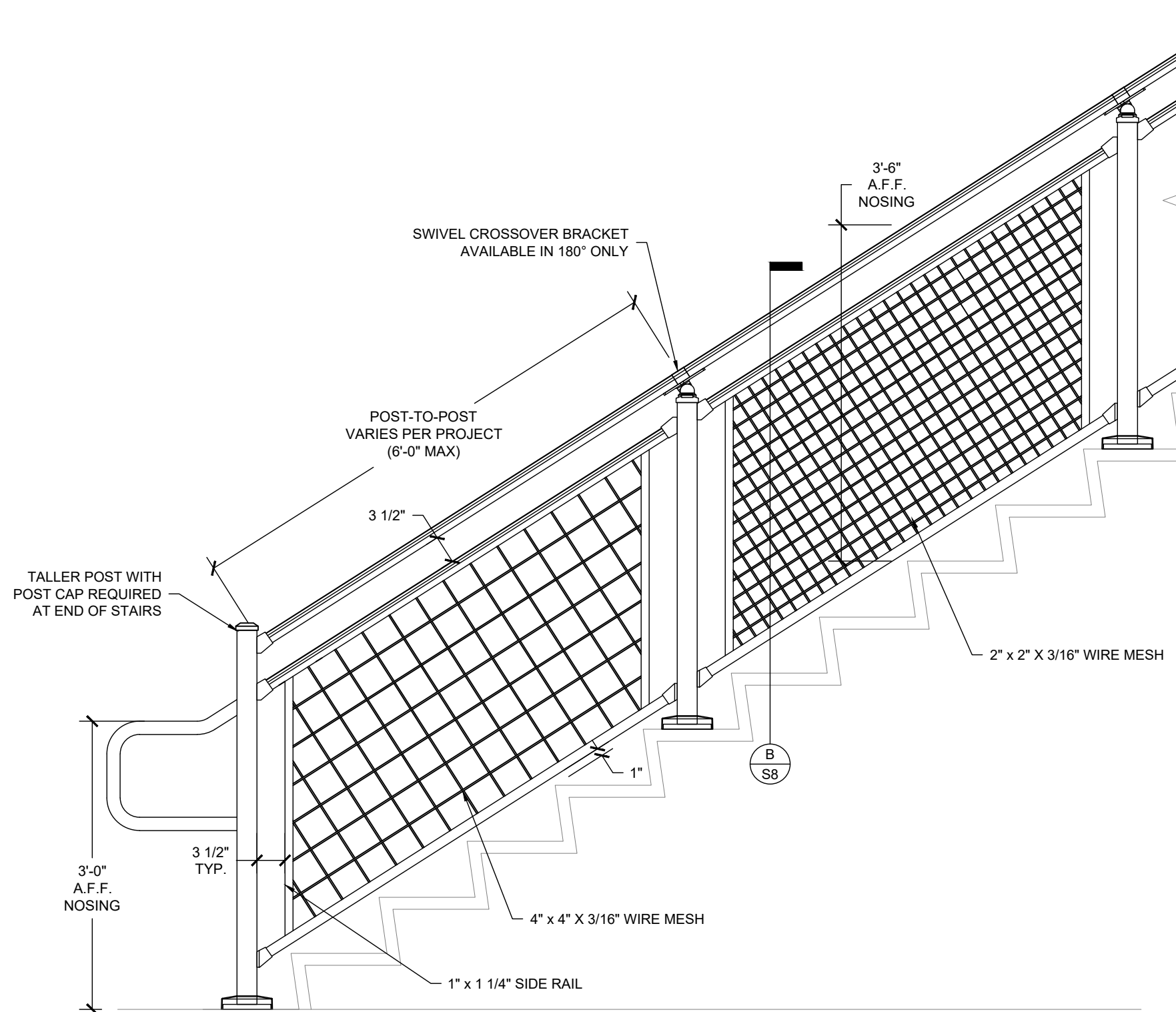
7008 NORTHLAND DR., SUITE 150
MINNEAPOLIS, MN 55428
PH: (763) 533-2094

THIS DRAWING IS THE PROPERTY OF
TREX COMMERCIAL PRODUCTS, INC.
NEITHER THE DRAWING NOR ITEMS
THEREON ARE TO BE REPRODUCED
OR USED IN ANY MANNER NOT
AUTHORIZED BY TREX COMMERCIAL
PRODUCTS, INC. IN WRITING.

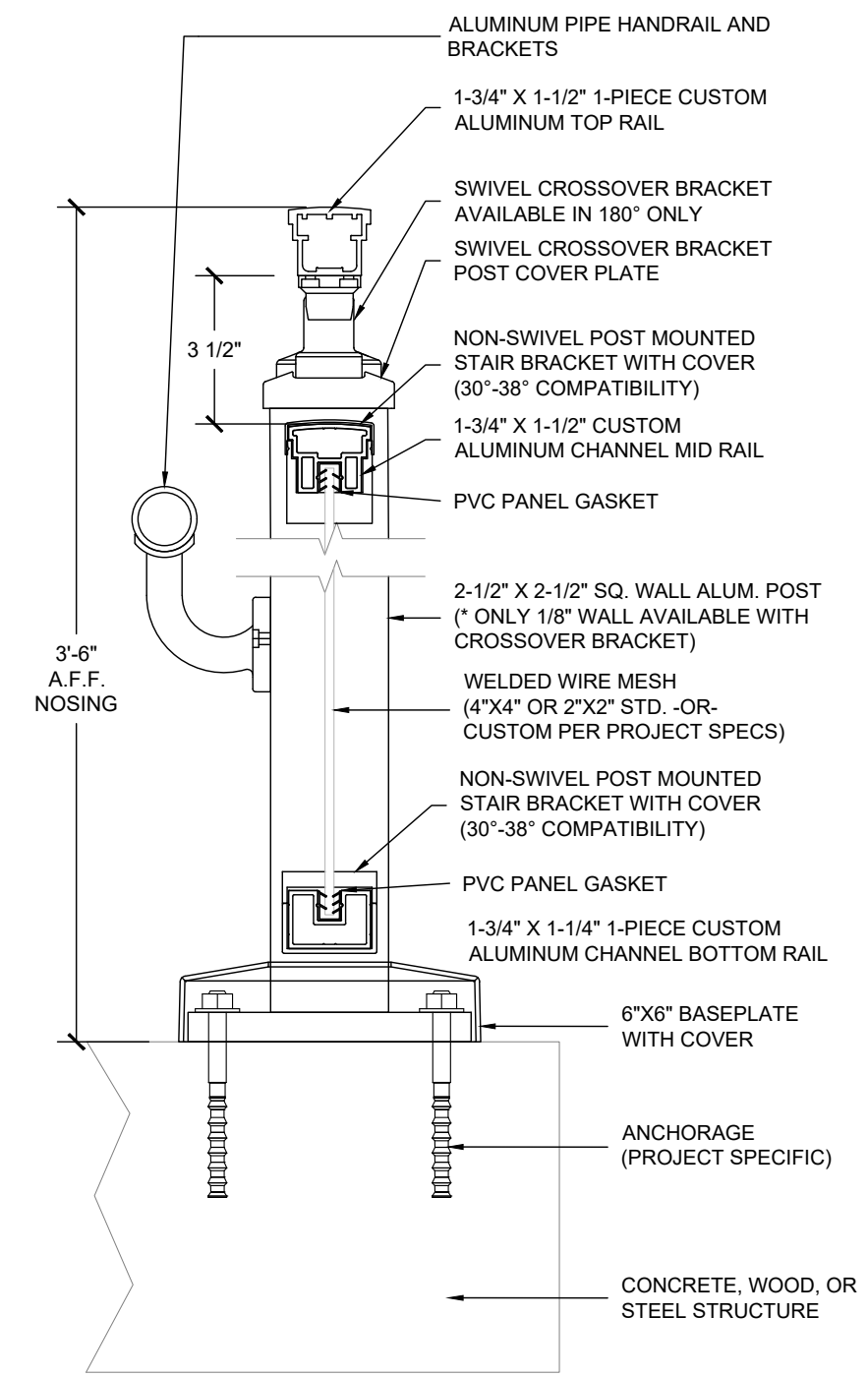
PROJECT INFORMATION

PROJECT:
TREX SIGNATURE - MESH PANEL
RAIL SALES DRAWING
LOCATION:
MINNEAPOLIS, MN

**TREX SIGNATURE RAIL - MESH PANEL
3-LINE CROSSOVER - STAIRS**



A ELEVATION VIEW - 3-LINE MESH CROSSOVER - STAIRS
S8 3/4" = 1'-0"



B SECTION VIEW - 3-LINE MESH CROSSOVER - STAIRS
S8 3" = 1'-0"

*TREX SIGNATURE MESH PANEL KITS COME IN MAX 6' LENGTHS.
** MESH SIZES SHOWN ARE STANDARD, CUSTOM AVAILABLE UPON REQUEST.

DRAWN BY NBB	DATE 10/21/19
PROJECT NUMBER SALES	
SHEET NUMBER TC-SIG-PANEL-MSH-S8	

ITEM	DESCRIPTION	AUTH	DATE