



**COMMERCIAL PRODUCTS**

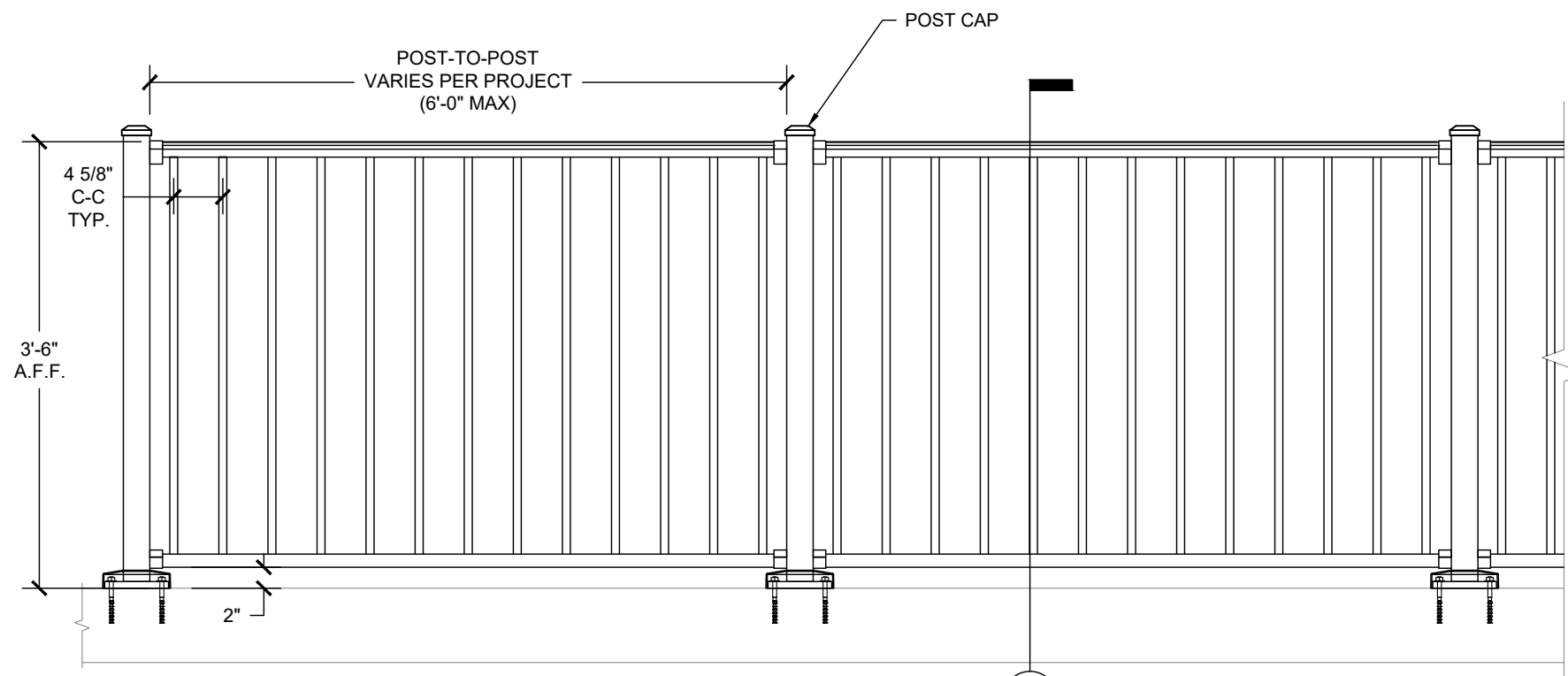
7008 NORTHLAND DR., SUITE 150  
MINNEAPOLIS, MN 55428  
PH: (763) 533-2094

THIS DRAWING IS THE PROPERTY OF TREX COMMERCIAL PRODUCTS, INC. NEITHER THE DRAWING NOR ITEMS THEREON ARE TO BE REPRODUCED OR USED IN ANY MANNER NOT AUTHORIZED BY TREX COMMERCIAL PRODUCTS, INC. IN WRITING.

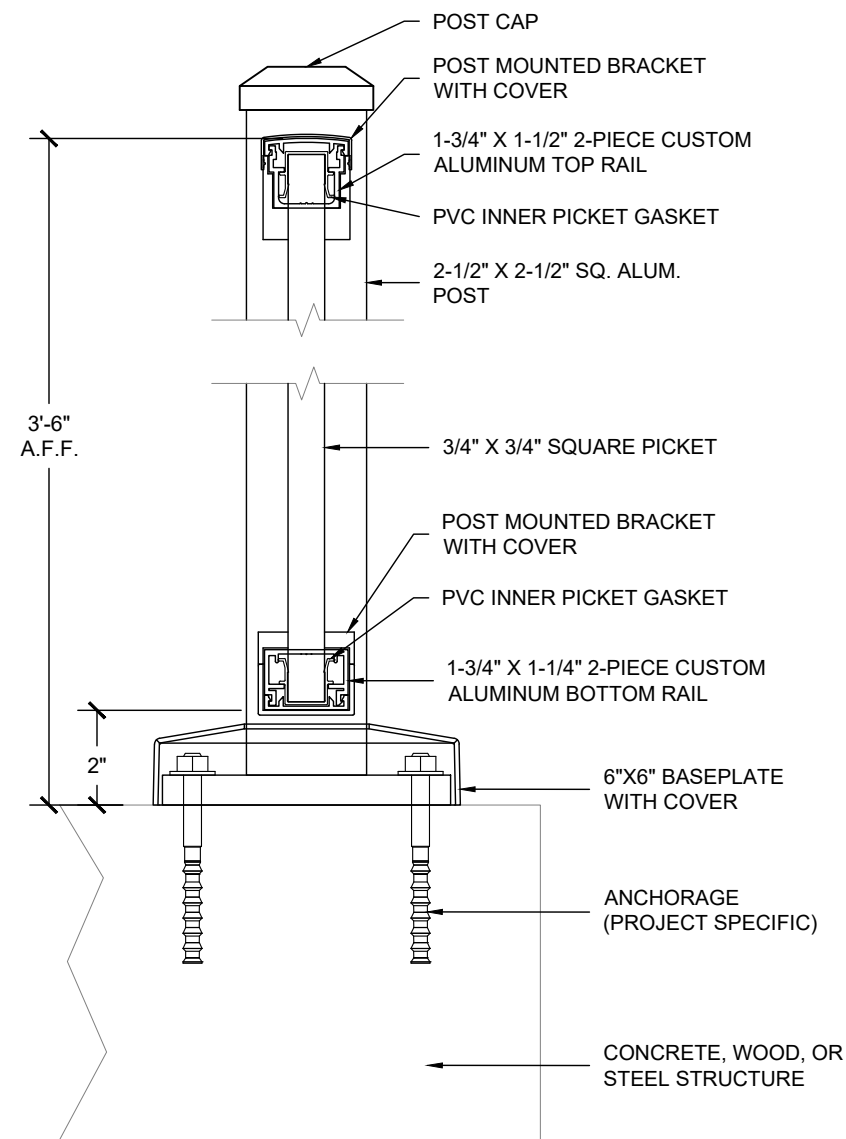
**PROJECT INFORMATION**

PROJECT:  
TREX SIGNATURE RAIL - PICKET RAIL  
SALES DRAWING  
LOCATION:  
MINNEAPOLIS, MN

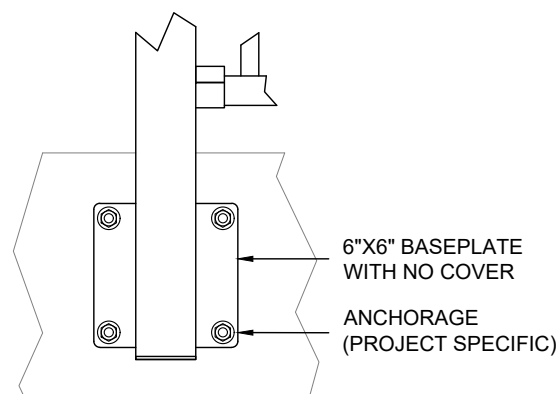
**TREX SIGNATURE RAIL - PICKET  
2-LINE GUARDRAIL - OVERLOOK**



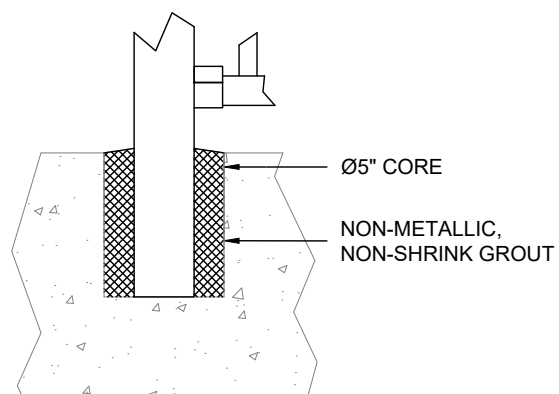
**A**  
S1 ELEVATION VIEW - 2-LINE PICKET - OVERLOOK  
3/4" = 1'-0"



**B**  
S1 SECTION VIEW - 2-LINE PICKET - OVERLOOK  
3" = 1'-0"



**C**  
S1 DETAIL VIEW - ALTERNATIVE FACE MOUNT  
1 1/2" = 1'-0"



**D**  
S1 DETAIL VIEW - ALTERNATIVE CORE MOUNT  
1 1/2" = 1'-0"

DRAWN BY NBB	DATE 12/17/19
PROJECT NUMBER SALES	
SHEET NUMBER TC-SIG-PKT-GRL-S1	

ITEM	DESCRIPTION	AUTH	DATE
------	-------------	------	------



**COMMERCIAL PRODUCTS**

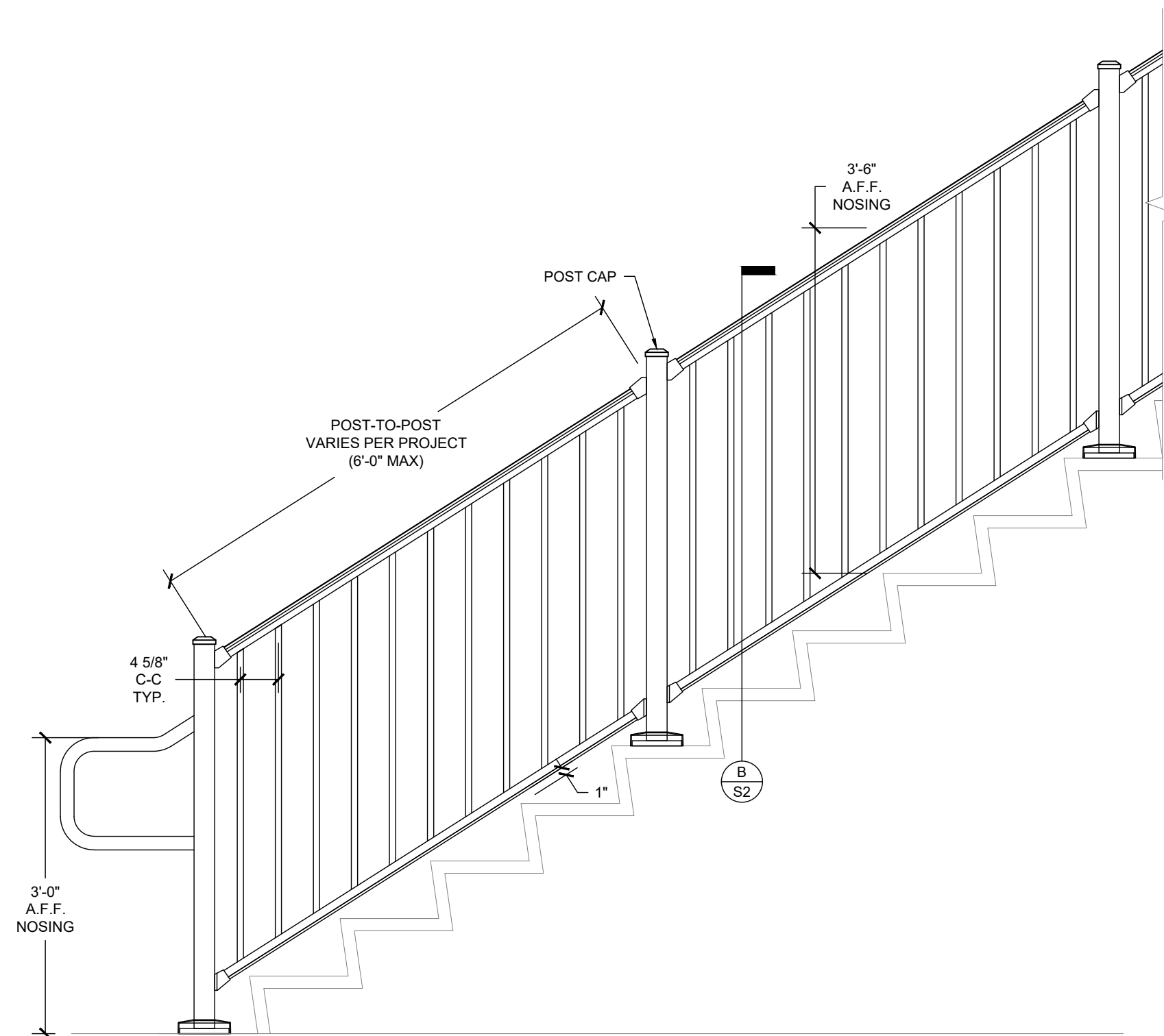
7008 NORTHLAND DR., SUITE 150  
MINNEAPOLIS, MN 55428  
PH: (763) 533-2094

THIS DRAWING IS THE PROPERTY OF  
TREX COMMERCIAL PRODUCTS, INC.  
NEITHER THE DRAWING NOR ITEMS  
THEREON ARE TO BE REPRODUCED  
OR USED IN ANY MANNER NOT  
AUTHORIZED BY TREX COMMERCIAL  
PRODUCTS, INC. IN WRITING.

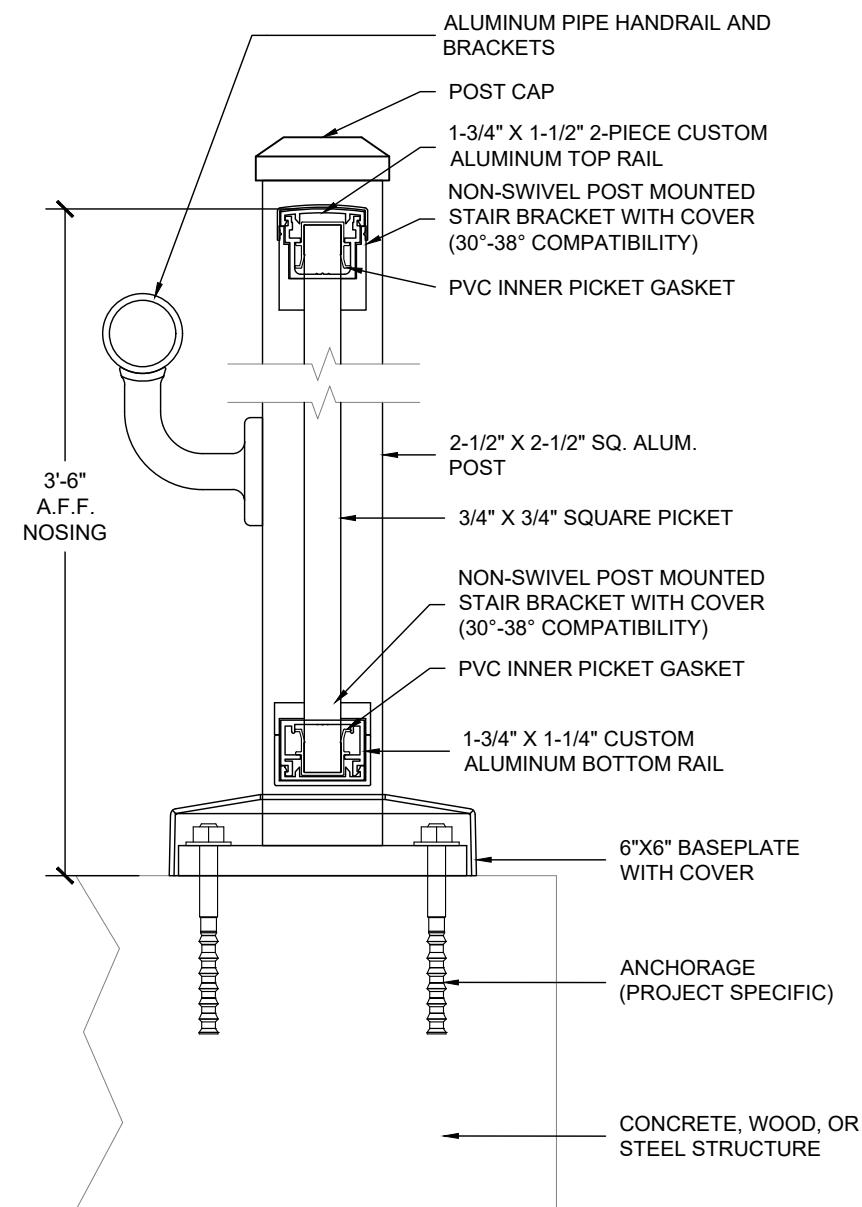
**PROJECT INFORMATION**

PROJECT:  
TREX SIGNATURE - PICKET RAIL  
SALES DRAWING  
LOCATION:  
MINNEAPOLIS, MN

**TREX SIGNATURE RAIL - PICKET  
2-LINE GUARDRAIL - STAIRS**



**A** ELEVATION VIEW - 2-LINE PICKET - STAIRS  
S2 3/4" = 1'-0"



**B** SECTION VIEW - 2-LINE PICKET - STAIRS  
S2 3" = 1'-0"

DRAWN BY NBB	DATE 12/17/19
PROJECT NUMBER SALES	
SHEET NUMBER TC-SIG-PKT-GRL-S2	

ITEM	DESCRIPTION	AUTH	DATE



**COMMERCIAL PRODUCTS**

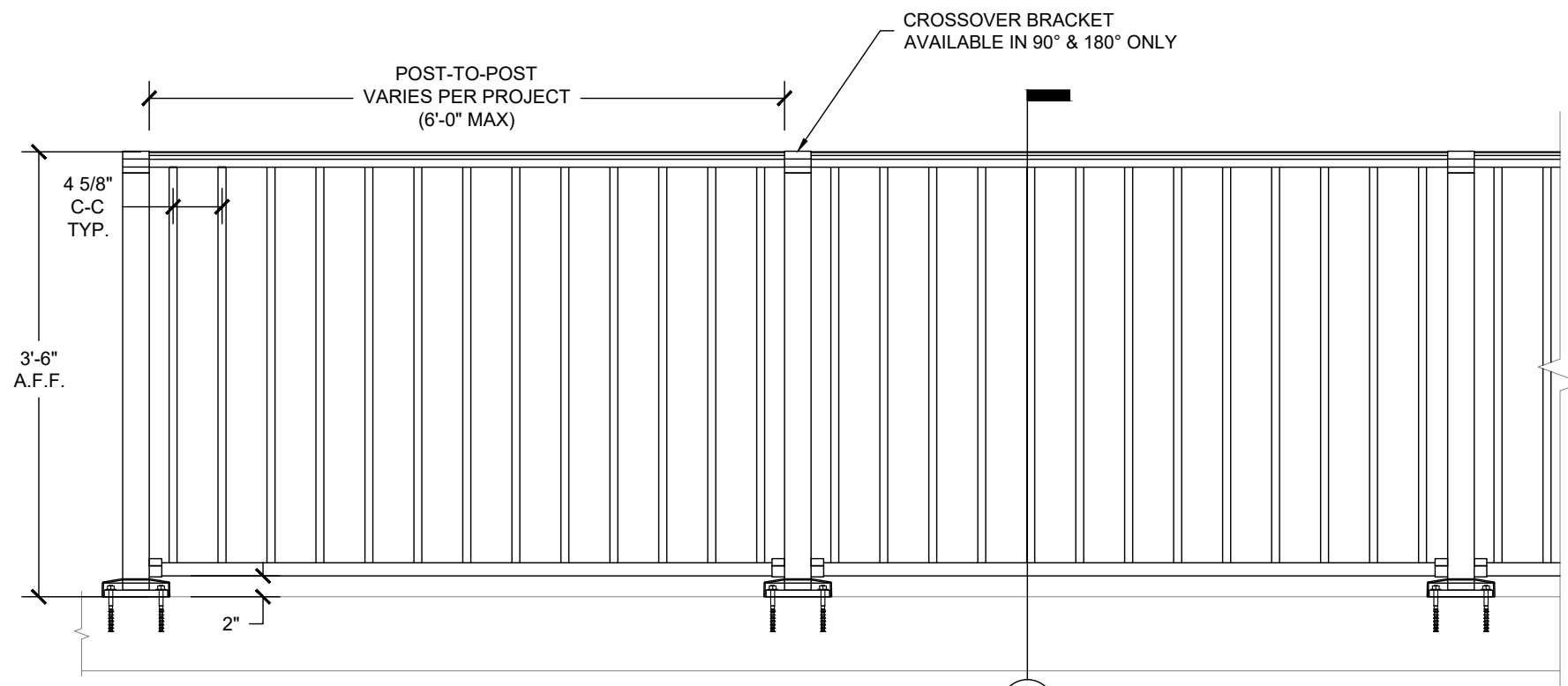
7008 NORTHLAND DR., SUITE 150  
MINNEAPOLIS, MN 55428  
PH: (763) 533-2094

THIS DRAWING IS THE PROPERTY OF TREX COMMERCIAL PRODUCTS, INC. NEITHER THE DRAWING NOR ITEMS THEREON ARE TO BE REPRODUCED OR USED IN ANY MANNER NOT AUTHORIZED BY TREX COMMERCIAL PRODUCTS, INC. IN WRITING.

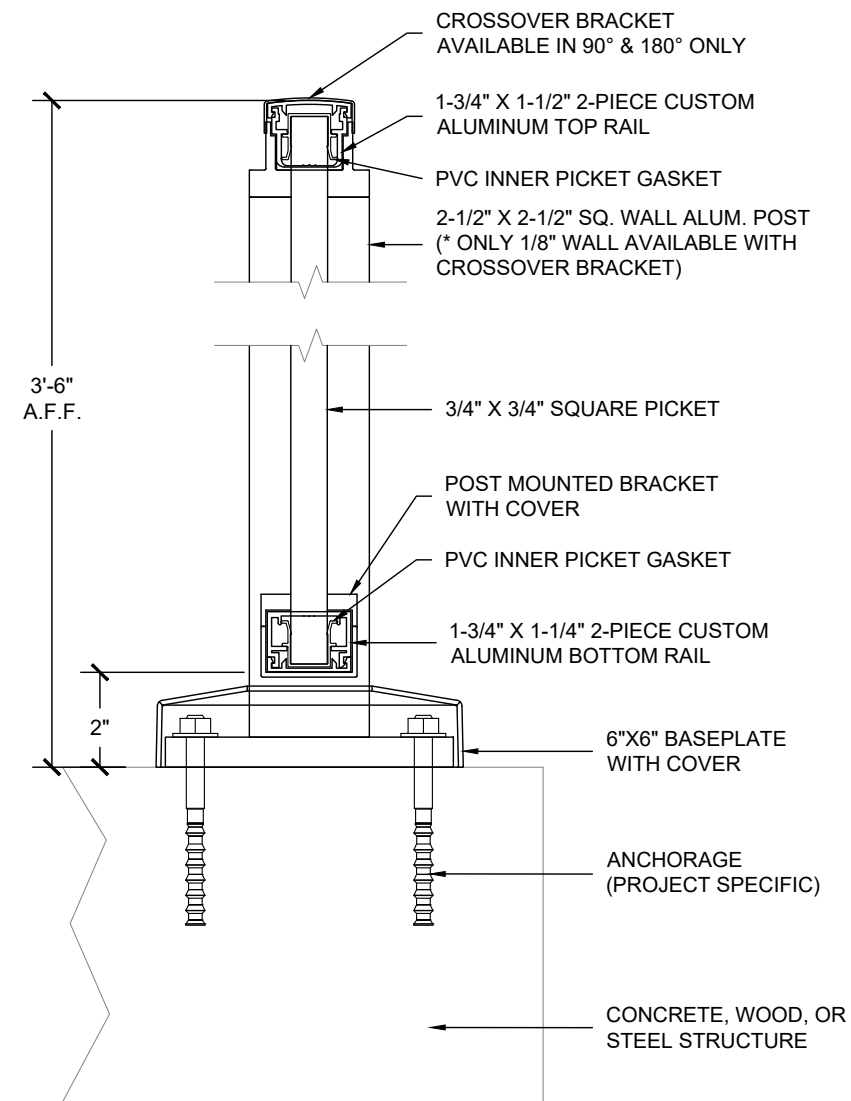
**PROJECT INFORMATION**

PROJECT:  
TREX SIGNATURE RAIL - PICKET RAIL SALES DRAWING  
LOCATION:  
MINNEAPOLIS, MN

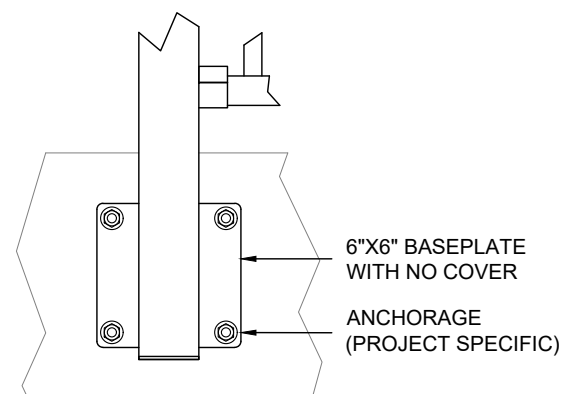
**TREX SIGNATURE RAIL - PICKET  
2-LINE CROSSOVER - OVERLOOK**



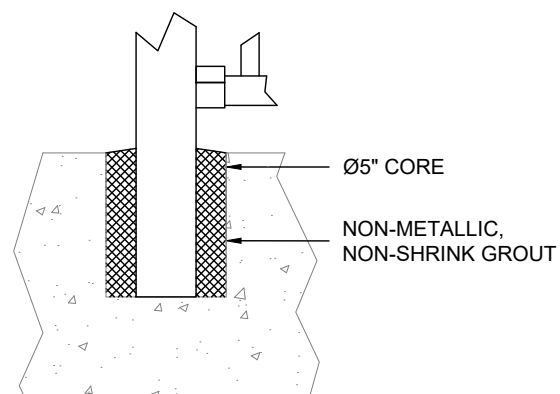
**A**  
S3 ELEVATION VIEW - 2-LINE PICKET CROSSOVER - OVERLOOK  
3/4" = 1'-0"



**B**  
S1 SECTION VIEW - 2-LINE PICKET CROSSOVER - OVERLOOK  
3" = 1'-0"



**C**  
S3 DETAIL VIEW - ALTERNATIVE FACE MOUNT  
1 1/2" = 1'-0"



**D**  
S3 DETAIL VIEW - ALTERNATIVE CORE MOUNT  
1 1/2" = 1'-0"

DRAWN BY NBB	DATE 12/17/19
PROJECT NUMBER SALES	
SHEET NUMBER TC-SIG-PKT-GRL-S3	

ITEM	DESCRIPTION	AUTH	DATE



**COMMERCIAL PRODUCTS**

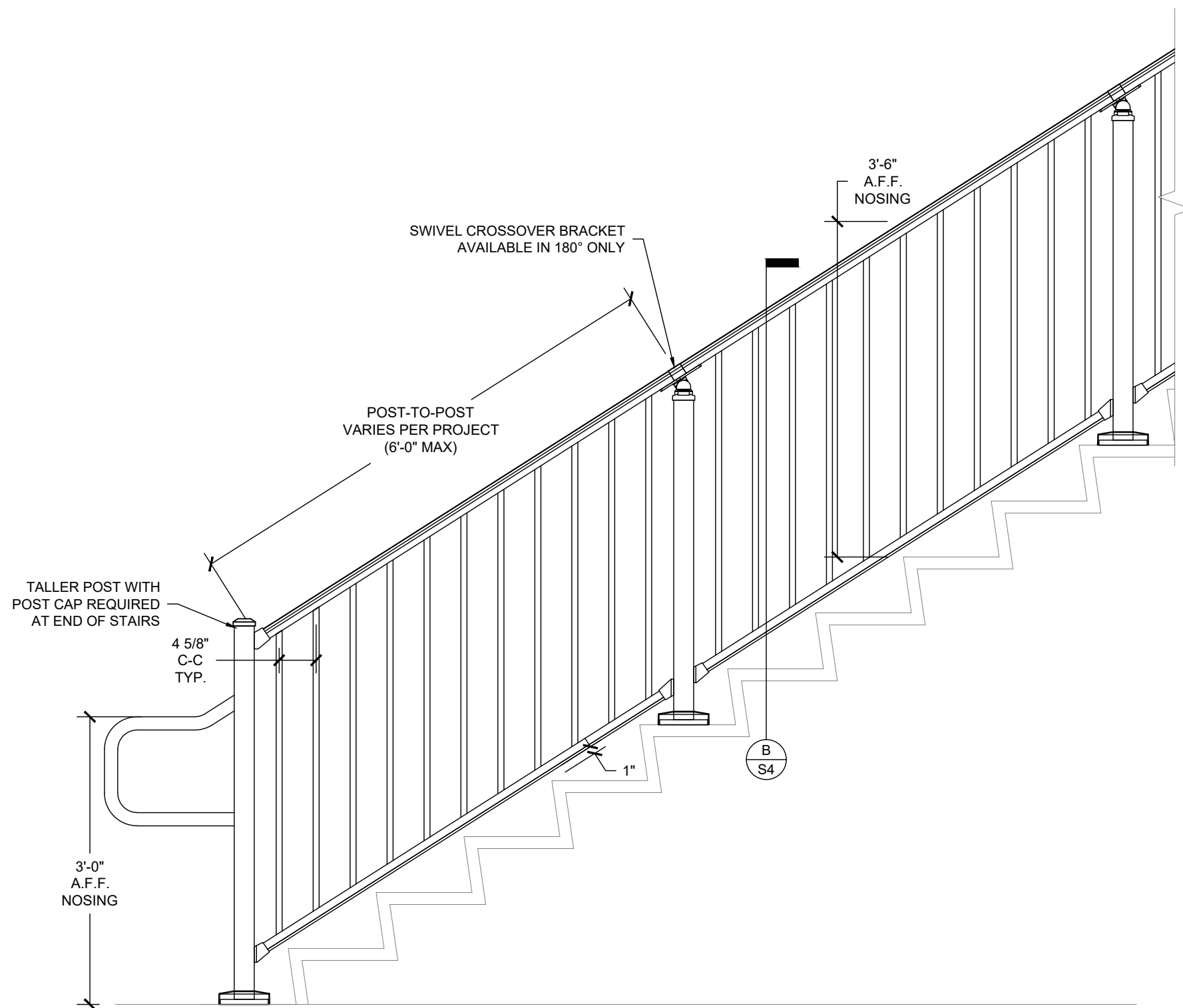
7008 NORTHLAND DR., SUITE 150  
MINNEAPOLIS, MN 55428  
PH: (763) 533-2094

THIS DRAWING IS THE PROPERTY OF TREX COMMERCIAL PRODUCTS, INC. NEITHER THE DRAWING NOR ITEMS THEREON ARE TO BE REPRODUCED OR USED IN ANY MANNER NOT AUTHORIZED BY TREX COMMERCIAL PRODUCTS, INC. IN WRITING.

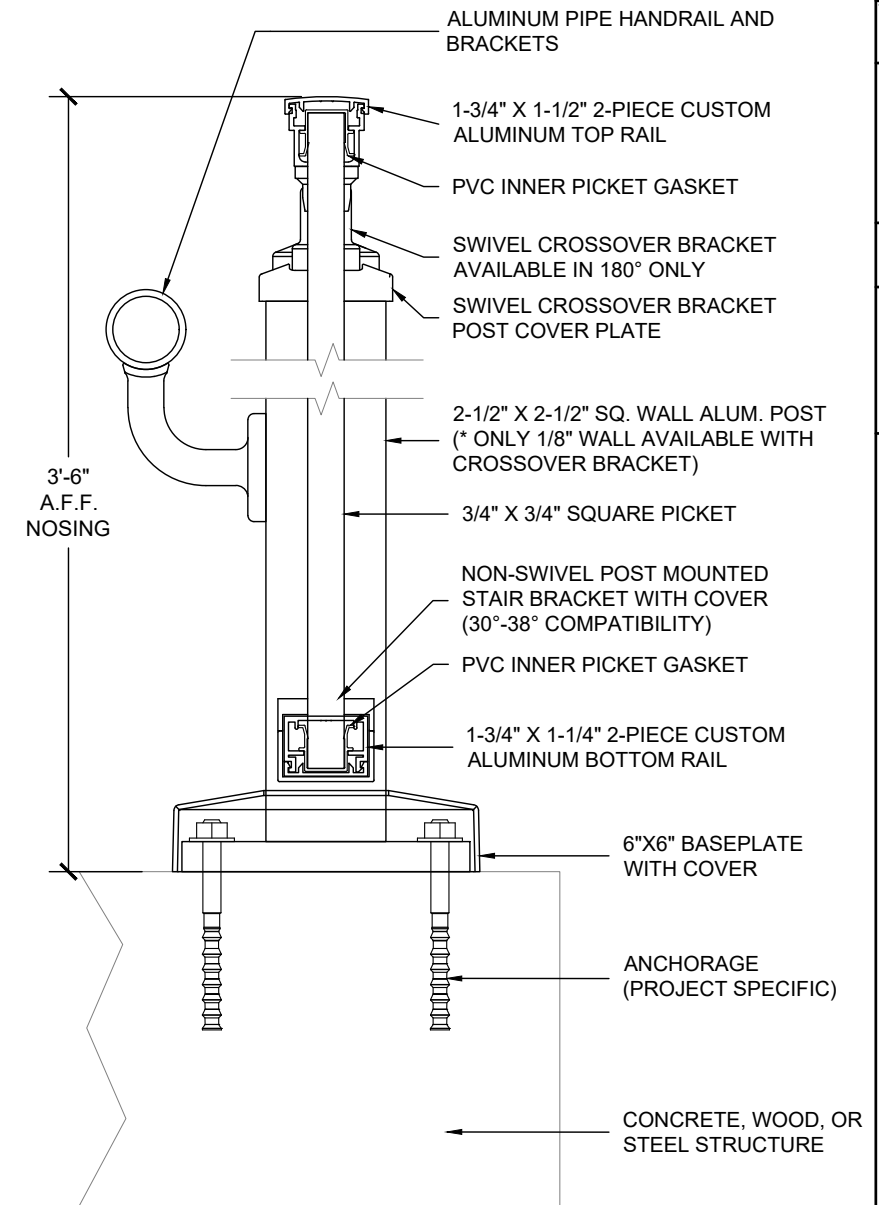
**PROJECT INFORMATION**

PROJECT:  
TREX SIGNATURE - PICKET RAIL  
SALES DRAWING  
LOCATION:  
MINNEAPOLIS, MN

**TREX SIGNATURE RAIL - PICKET  
2-LINE CROSSOVER - STAIRS**



**A** ELEVATION VIEW - 2-LINE PICKET CROSSOVER - STAIRS  
S4 3/4" = 1'-0"



**B** SECTION VIEW - 2-LINE PICKET CROSSOVER - STAIRS  
S4 3" = 1'-0"

DRAWN BY NBB	DATE 12/17/19
PROJECT NUMBER SALES	
SHEET NUMBER TC-SIG-PKT-GRL-S4	

ITEM	DESCRIPTION	AUTH	DATE



**COMMERCIAL PRODUCTS**

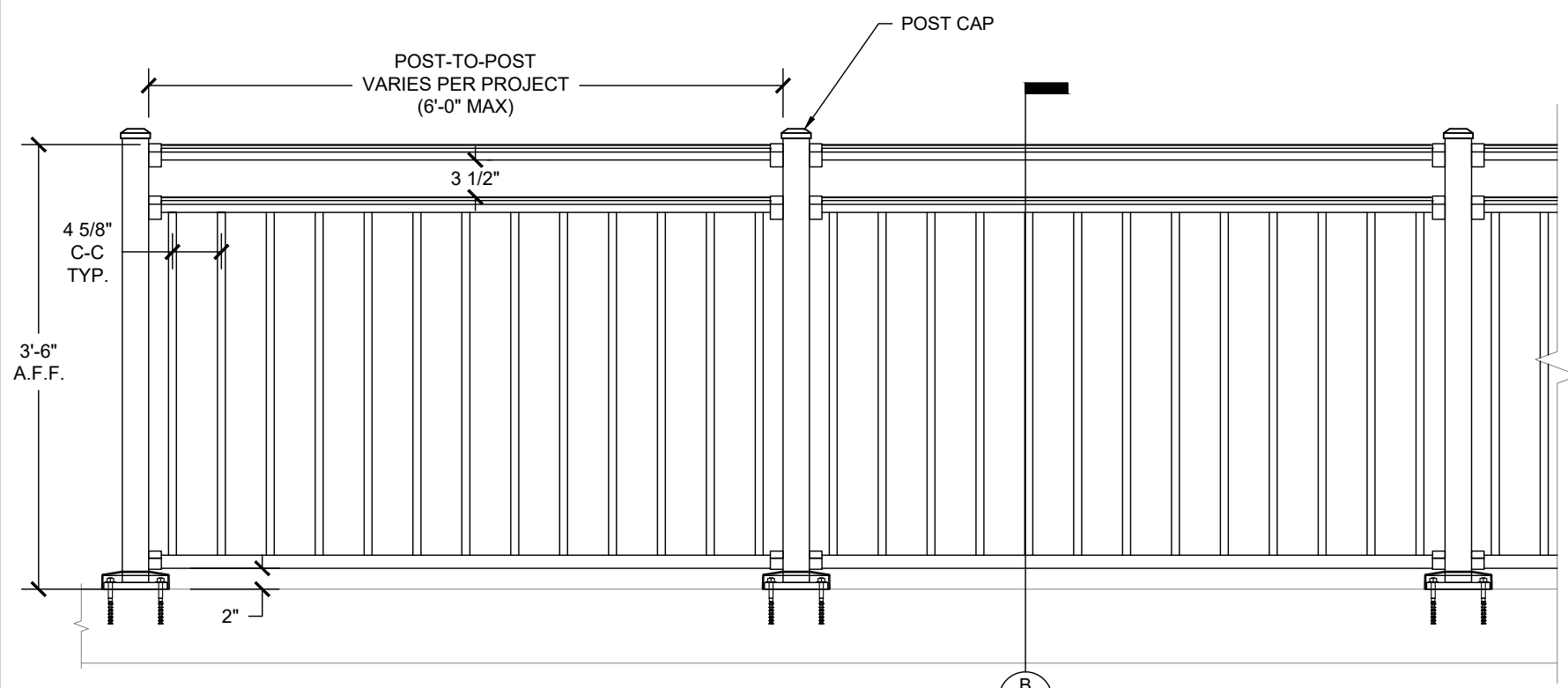
7008 NORTHLAND DR., SUITE 150  
MINNEAPOLIS, MN 55428  
PH: (763) 533-2094

THIS DRAWING IS THE PROPERTY OF  
TREX COMMERCIAL PRODUCTS, INC.  
NEITHER THE DRAWING NOR ITEMS  
THEREON ARE TO BE REPRODUCED  
OR USED IN ANY MANNER NOT  
AUTHORIZED BY TREX COMMERCIAL  
PRODUCTS, INC. IN WRITING.

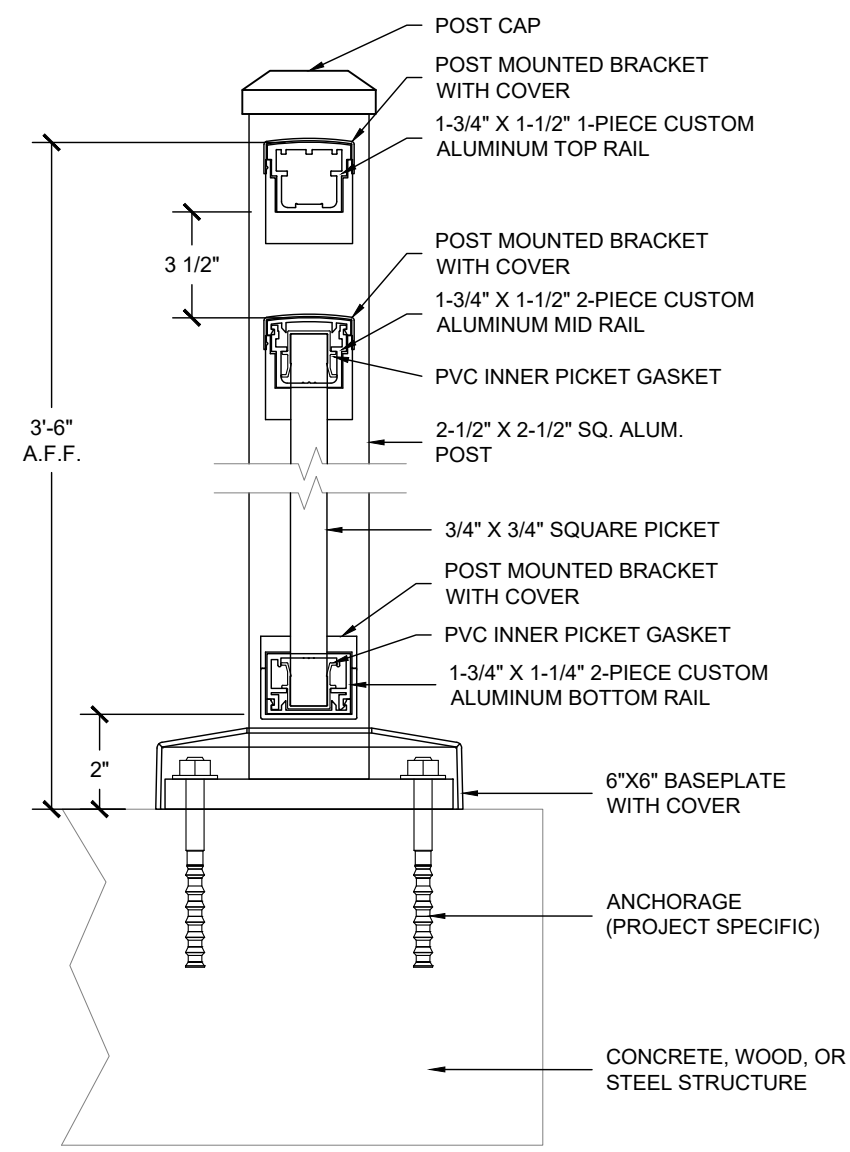
**PROJECT INFORMATION**

PROJECT:  
TREX SIGNATURE - PICKET RAIL  
SALES DRAWING  
LOCATION:  
MINNEAPOLIS, MN

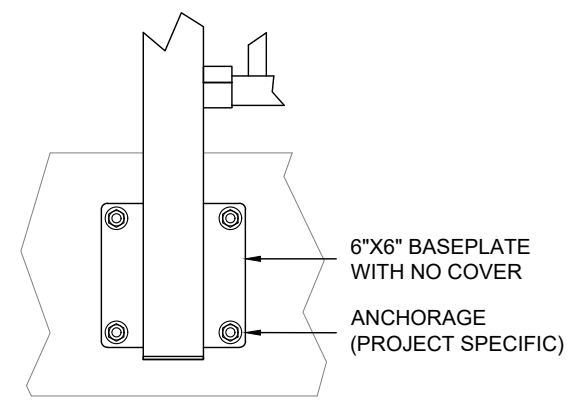
**TREX SIGNATURE RAIL - PICKET  
3-LINE GUARDRAIL - OVERLOOK**



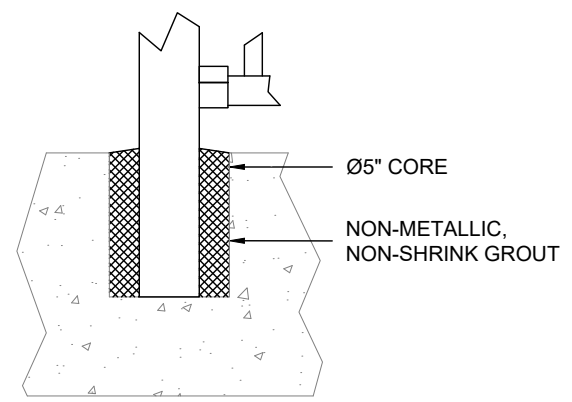
**A** ELEVATION VIEW - 3-LINE PICKET - OVERLOOK  
S5 3/4" = 1'-0"



**B** SECTION VIEW - 3-LINE PICKET - OVERLOOK  
S5 3" = 1'-0"



**C** DETAIL VIEW - ALTERNATIVE FACE MOUNT  
S5 1 1/2" = 1'-0"



**D** DETAIL VIEW - ALTERNATIVE CORE MOUNT  
S5 1 1/2" = 1'-0"

DRAWN BY NBB	DATE 12/17/19
PROJECT NUMBER SALES	
SHEET NUMBER TC-SIG-PKT-GRL-S5	

ITEM	DESCRIPTION	AUTH	DATE





**COMMERCIAL PRODUCTS**

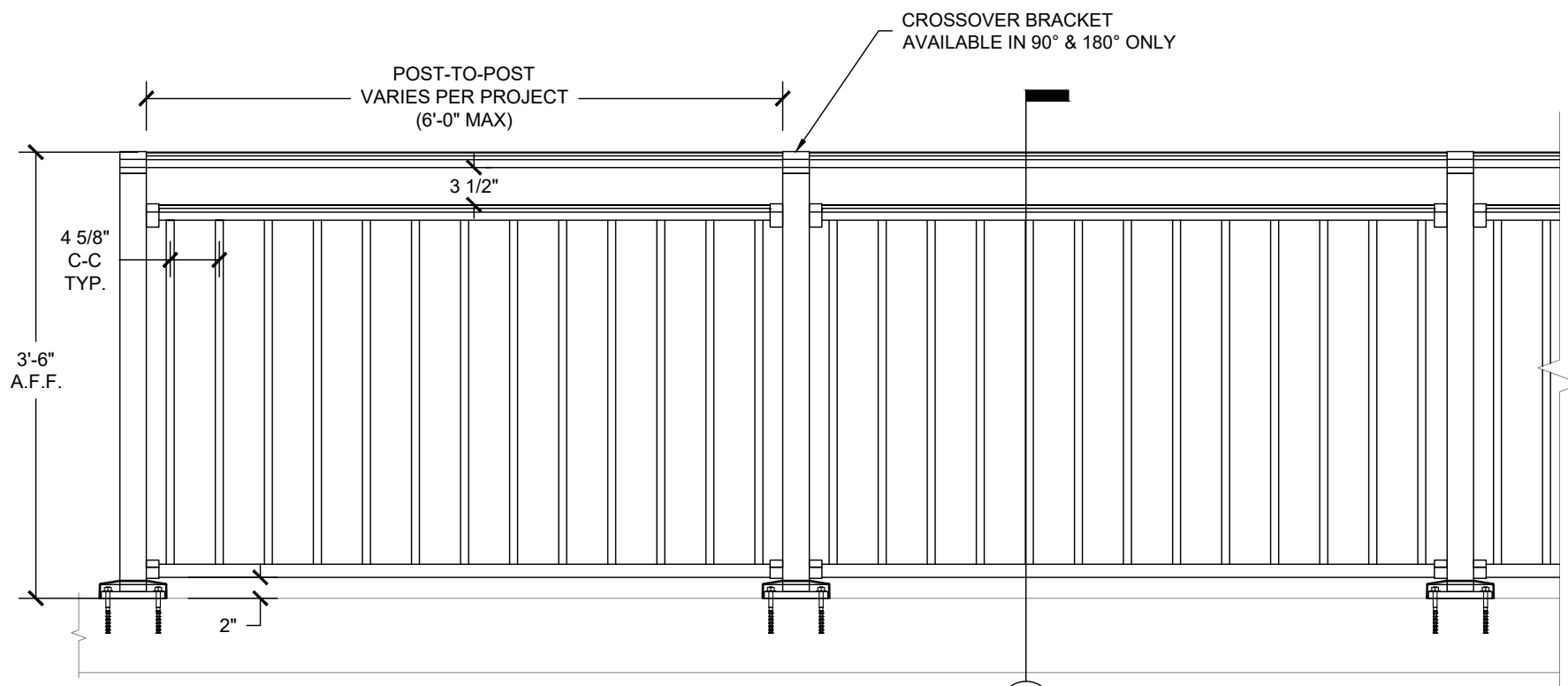
7008 NORTHLAND DR., SUITE 150  
MINNEAPOLIS, MN 55428  
PH: (763) 533-2094

THIS DRAWING IS THE PROPERTY OF  
TREX COMMERCIAL PRODUCTS, INC.  
NEITHER THE DRAWING NOR ITEMS  
THEREON ARE TO BE REPRODUCED  
OR USED IN ANY MANNER NOT  
AUTHORIZED BY TREX COMMERCIAL  
PRODUCTS, INC. IN WRITING.

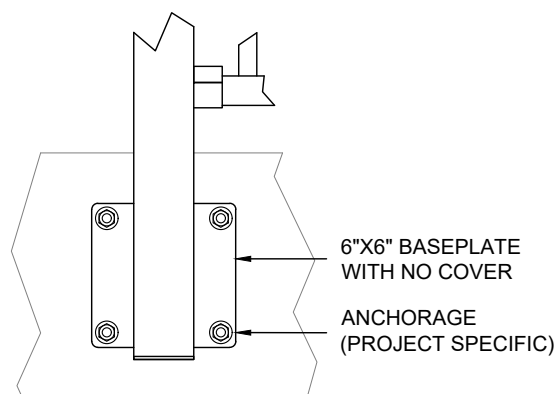
**PROJECT INFORMATION**

PROJECT:  
TREX SIGNATURE - PICKET RAIL  
SALES DRAWING  
LOCATION:  
MINNEAPOLIS, MN

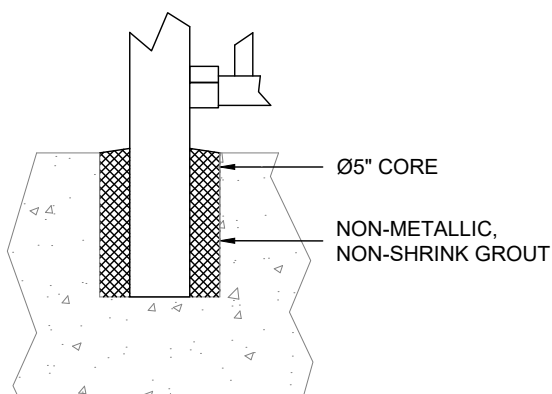
**TREX SIGNATURE RAIL - PICKET  
3-LINE CROSSOVER - OVERLOOK**



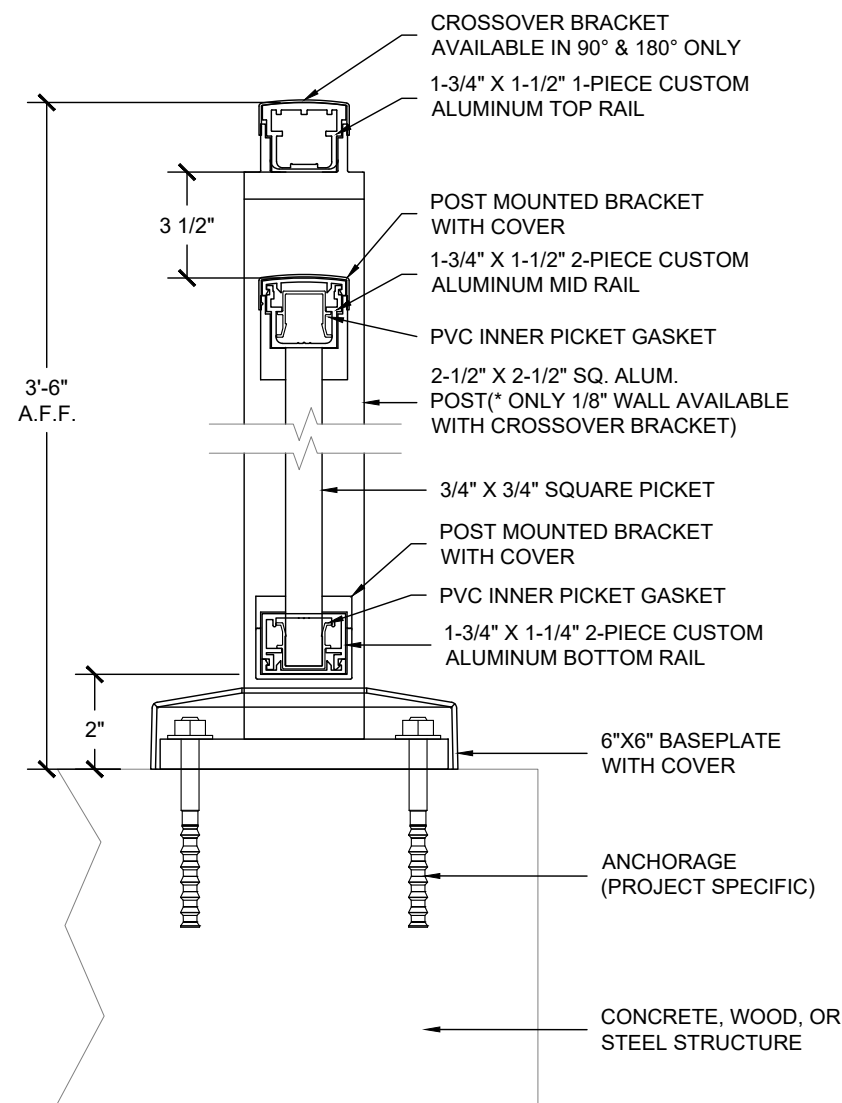
**A**  
S7 ELEVATION VIEW - 3-LINE PICKET CROSSOVER - OVERLOOK  
3/4" = 1'-0"



**C**  
S7 DETAIL VIEW - ALTERNATIVE FACE MOUNT  
1 1/2" = 1'-0"



**D**  
S7 DETAIL VIEW - ALTERNATIVE CORE MOUNT  
1 1/2" = 1'-0"



**B**  
S7 SECTION VIEW - 3-LINE PICKET CROSSOVER - OVERLOOK  
3" = 1'-0"

ITEM	DESCRIPTION	AUTH	DATE

DRAWN BY NBB	DATE 12/17/19
PROJECT NUMBER SALES	
SHEET NUMBER TC-SIG-PKT-GRL-S7	



**COMMERCIAL PRODUCTS**

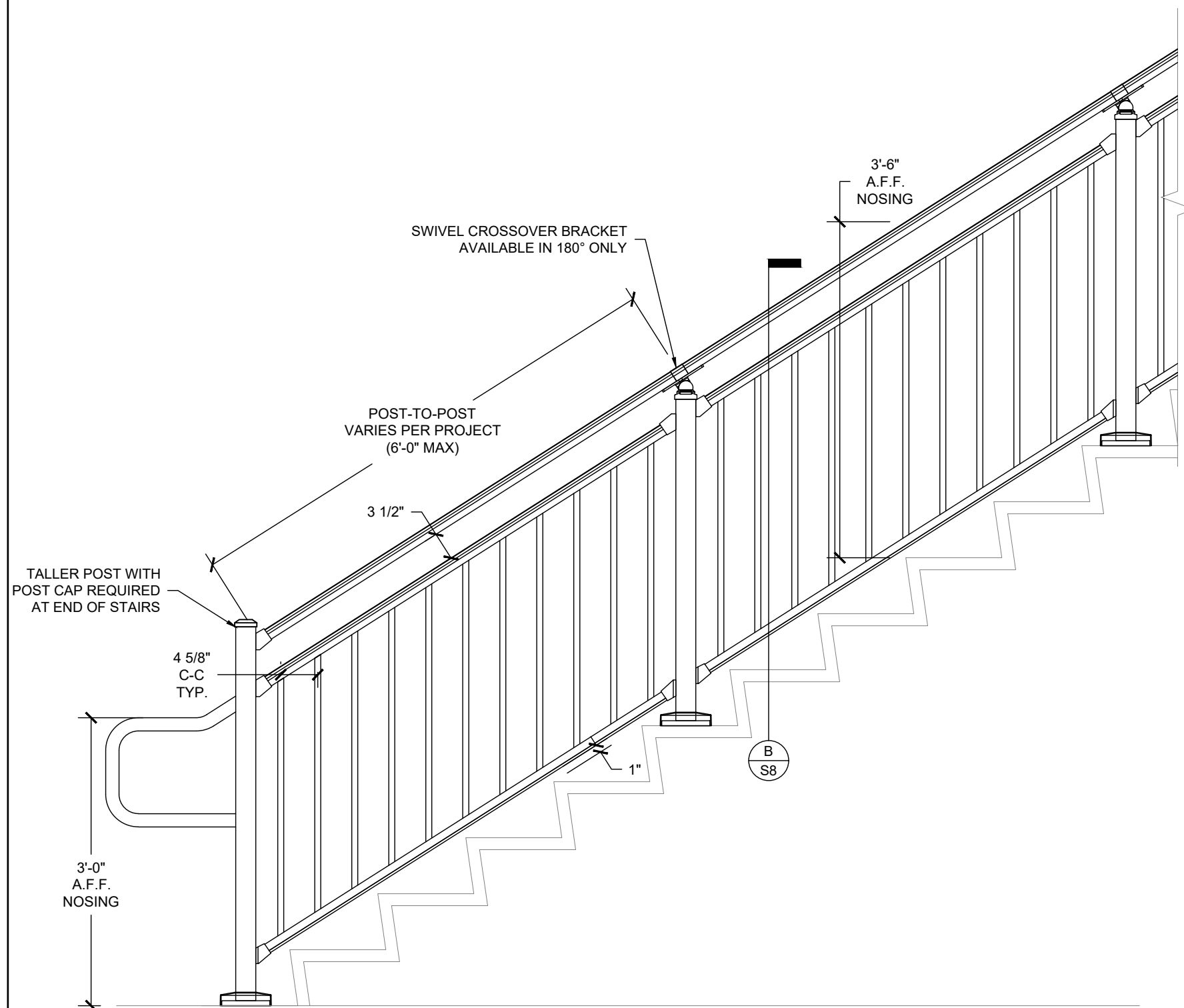
7008 NORTHLAND DR., SUITE 150  
MINNEAPOLIS, MN 55428  
PH: (763) 533-2094

THIS DRAWING IS THE PROPERTY OF  
TREX COMMERCIAL PRODUCTS, INC.  
NEITHER THE DRAWING NOR ITEMS  
THEREON ARE TO BE REPRODUCED  
OR USED IN ANY MANNER NOT  
AUTHORIZED BY TREX COMMERCIAL  
PRODUCTS, INC. IN WRITING.

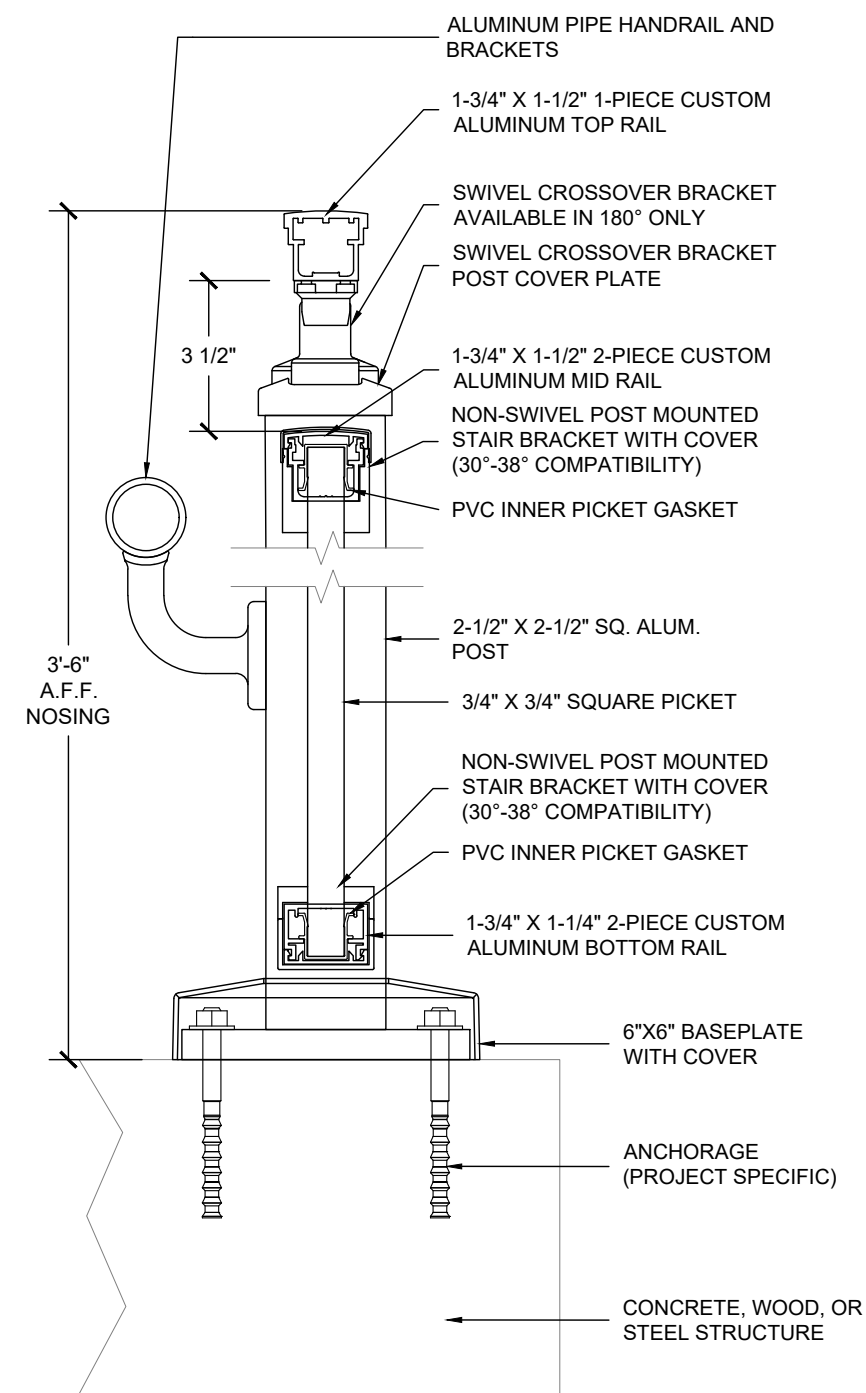
**PROJECT INFORMATION**

PROJECT:  
TREX SIGNATURE - PICKET RAIL  
SALES DRAWING  
LOCATION:  
MINNEAPOLIS, MN

**TREX SIGNATURE RAIL - PICKET  
3-LINE CROSSOVER - STAIRS**



**A** ELEVATION VIEW - 3-LINE PICKET CROSSOVER - STAIRS  
S8 3/4" = 1'-0"



**B** SECTION VIEW - 3-LINE PICKET CROSSOVER - STAIRS  
S8 3" = 1'-0"

DRAWN BY NBB	DATE 12/17/19
PROJECT NUMBER SALES	
SHEET NUMBER TC-SIG-PKT-GRL-S8	

ITEM	DESCRIPTION	AUTH	DATE
------	-------------	------	------